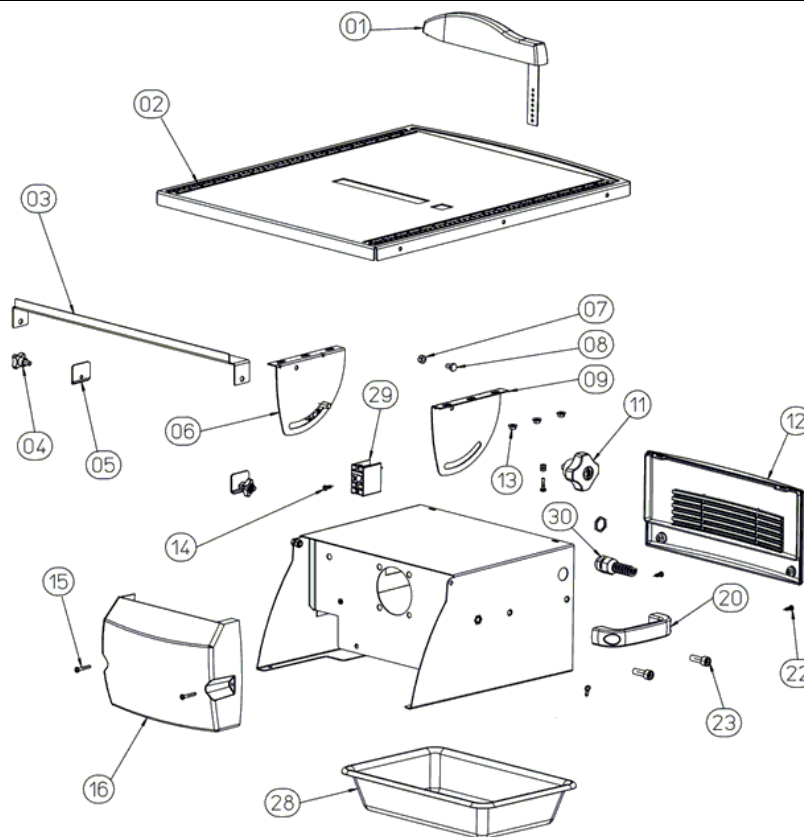


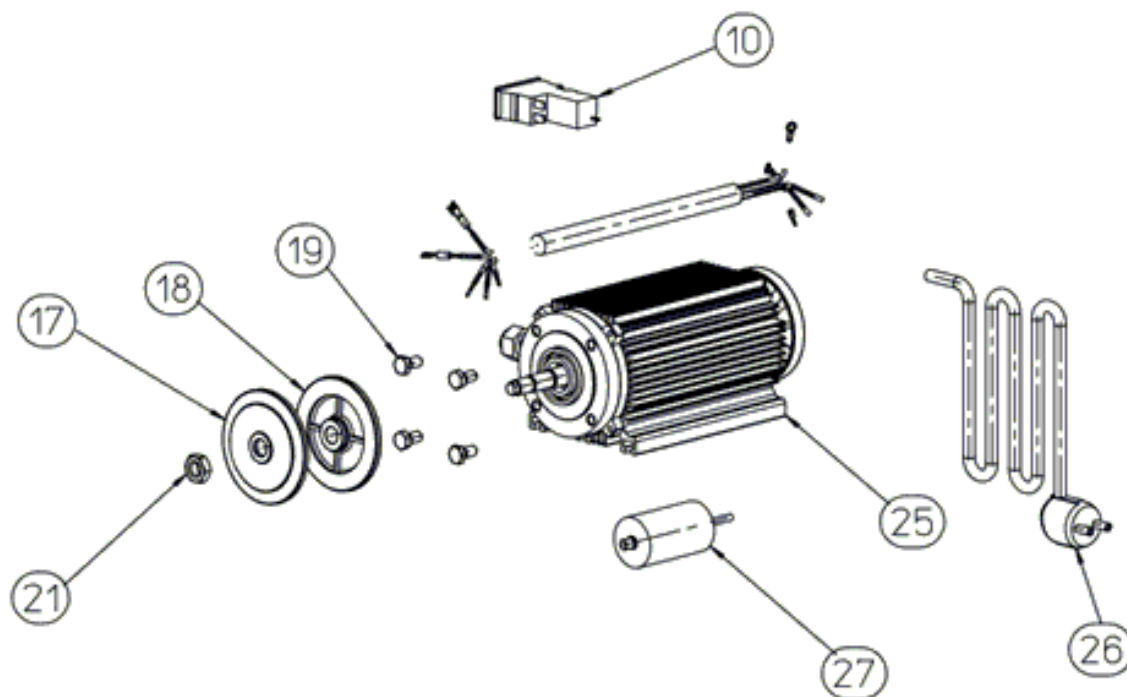
Part-list	ES	EN	Prod.
1	A	GRUPO CHASIS Y MESA	CHASSIS & TABLE GROUP
2	B	GRUPO MOTOR	MOTOR GROUP

Prod.	ES	EN	Serial num.
45910	ND-200 230V 50HZ. -CORT.ELEC.	DIAMANT ND-200 230V 50Hz.	8105
45911	ND-200 220V 60HZ. -CORT.ELEC.	DIAMANT ND-200 220V 60Hz.	3485
45915	ND-200 230V 50HZ. UK -CORT.ELEC.	DIAMANT ND-200 230V 50Hz. UK	2113
45916	ND-200 120V 50HZ. UK -CORT.ELEC.	DIAMANT ND-200 120V 50Hz. UK	1348
45918	ND-200 120V 60HZ. USA -CORT.ELEC.	DIAMANT ND-200 120V 60Hz. USA	1203

Queda reservado el derecho de introducir cualquier modificacion técnica sin previo aviso  
 We reserve the right to introduce any technical modification without previous notice



Part-list	ES	EN	Prod.
1	45561 1	CJ.PROTECTOR DISCO ND180/200/R	DISK PROTECTOR SET ND180/200/R
2	45144 1	CJ.MESA ND-200 V3 MM/INCH	TABLE SET FOR ND-200 V3 MM/INCH
3	45046 1	TOPE LATERAL ND-200 V2	ND-200 LATERAL STOP V2
4	17021 2	COM.POMO M6X10 ROJO	RED KNOB SET M6X10
5	45068 2	BLOQUEO TOPE LATERAL ND-200	LATERAL TOP LOCKER ND-200
6	45559 1	ARTICULACION DER.MESA/R	RIGHT TABLE JOINT/R
7	40020 2	TUERCA DIN 985 M6 CL8 ZN AUTOBLOC	HEX LOCK NUT DIN 985 M6 CL8 ZP
8	16089 3	TORN DIN 933 M6X10 6.8 ZN	SCREW DIN 933 M6X10 6.8 ZP
9	45558 1	ARTICULACION IZQ.MESA/R	LEFT TABLE JOINT/R
11	45872 2	CJ.POMO M8X13 ROJO V2	RED KNOB SET M8X13 V2
12	45325 1	TAPA MOTOR ND-180/200	MOTOR GUARD
14	45000 1	CHASIS ND-200/G V2	CHASSIS ND-200/G V2
15	45335 2	TORN DIN 7985 M4X25 6.8 ZN	SCREW DIN7985 M4X25 6.8 ZP
16	45426 1	TAPA DISCO ND-200	ND-200 BLADE GUARD
20	45342 1	ASA PLASTICO	PLASTIC HANDLE
22	45336 3	TORN DIN 7981 3,9X13 6.8 ZN	SCREW DIN 7981 3,9X13 6.8 ZP
23	16091 2	TORN DIN 912 M8X25 6.8 ZN NEGRO	SCREW DIN 912 M8X25 6.8 ZP
28	45327 1	CUBETA ND-180/200	ND-180/200 WATER TRAY
29	45315 1	SOPORTE SABLE ND-180/200	ND-180/200 BLADE GUARD SUPORT
30	71101 1	PRENSAESTOPA PG-11 HELICOIDE	PRENSAESTOPA PG-11 HELICOIDE



Part-list	ES	EN	Prod.	
10	57456 1	ARRANCADOR 230V 50HZ BALANCIN	STARTER 230V 50HZ	45910, 45915
10	40060 1	INTERRUP.AC120V 50/60HZ E-T-A	SWITCH AC120V 50/60HZ E-T-A	45916, 45918
10	57445 1	ARRANCADOR 220V 60HZ ND-200	STARTER 220V 60HZ	45911
17	45441 1	PLATO EXT.13,5X16X90 USA	EXTERNAL PLATE 13,5X16X90 "A"	45918
17	45329 1	PLATO EXT.13,5X25,5X90	OUTSIDE PLATE FOR ND-180/200	45910, 45911, 45915, 45916
18	45428 1	PLATO INT.13X25,4X90	INTERNAL PLATE MOTOR ND-200	45910, 45911, 45915, 45916
18	45430 1	PLATO INT.13X15,8X90 USA	INT.PLATE 13X15,8X90 "A"	45918
19	15130 4	TORN DIN 933 M8X15 6.8 ZN	SCREW DIN 933 M8X15 6.8 ZP	
21	45067 1	TUERCA DIN 936 M12 CL8 ZN	NUT DIN 936 M12 CL8 ZP	
25	45460 1	MOTOR 230V 50HZ 0,88KW ML	MOTOR 230V 50HZ 0,88KW ML	45910, 45915
25	45461 1	MOTOR 230V 60HZ 0,88KW ML	MOTOR 230V 60HZ 0,88KW ML	45911
25	45462 1	MOTOR 120V 50HZ 0,88KW ML	MOTOR 120V 50HZ 0,88KW ML	45916
25	45463 1	MOTOR 120V 60HZ 0,88KW ML	MOTOR 120V 60HZ 0,88KW ML	45918
26	50201 1	ENCHUFE CABL.3X1,5 2M	CABLE+PLUG 3X1,5 2M	45910, 45911
26	50172 1	ENCHUFE CABL.230V 3X1,5 UK 2M	CABLE+PLUG 230V 3X1,5 UK 2M	45915
26	45079 1	ENCHUFE CABL.110V 3X1,5 UK 2M	CABLE+PLUG 110V 3X1,5 UK 2M	45916
26	60236 1	ENCH.C.NEMA 5-15P/14AWGX3 3,5M	CABLE&PLUG NEMA 5-15P/14AWGX3 3,5M	45918
27	45070 1	CONDENSADOR 16MF 400V 50/60HZ CABLE 25CM	CAPACITOR 16uF 400V 50/60HZ 25CM	45910, 45911, 45915
27	45071 1	CONDENSADOR 40MF 250V 50/60HZ	CAPACITOR 40MF 250V 50/60HZ	45916, 45918