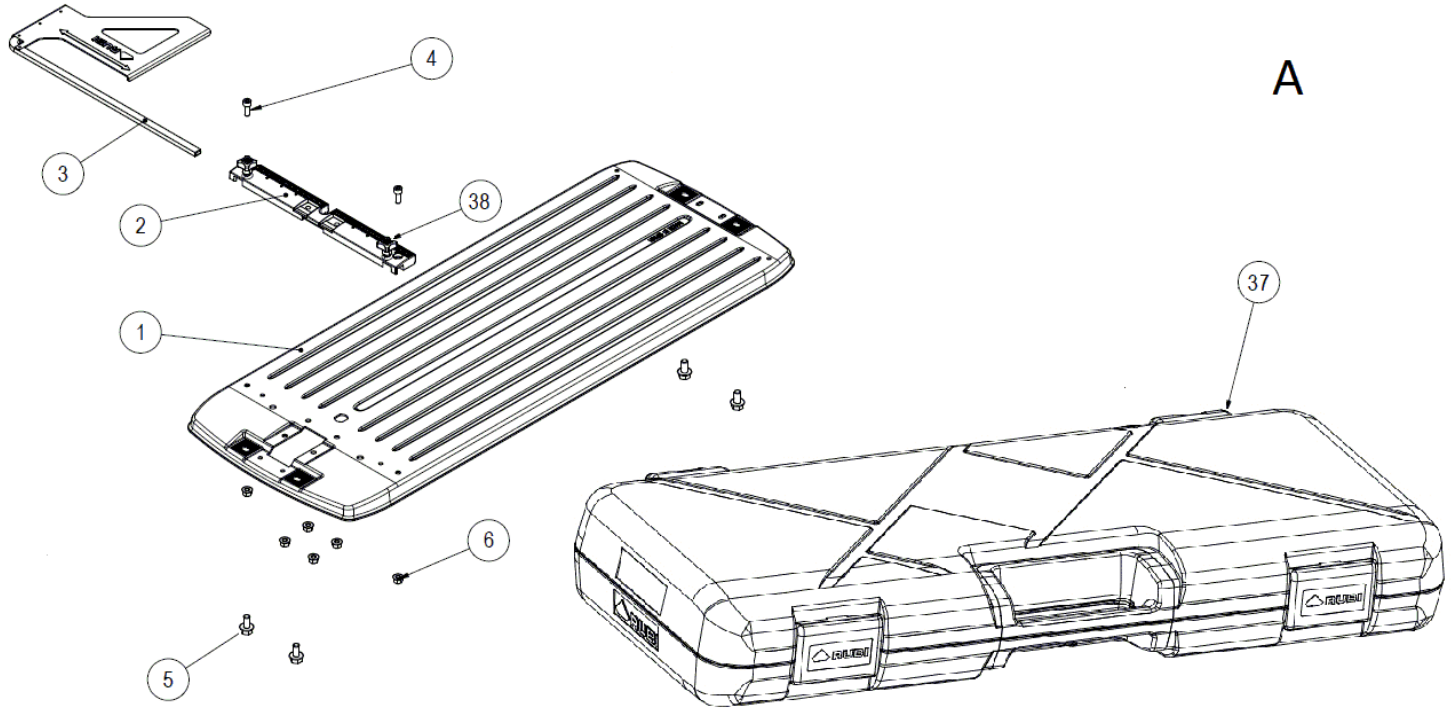
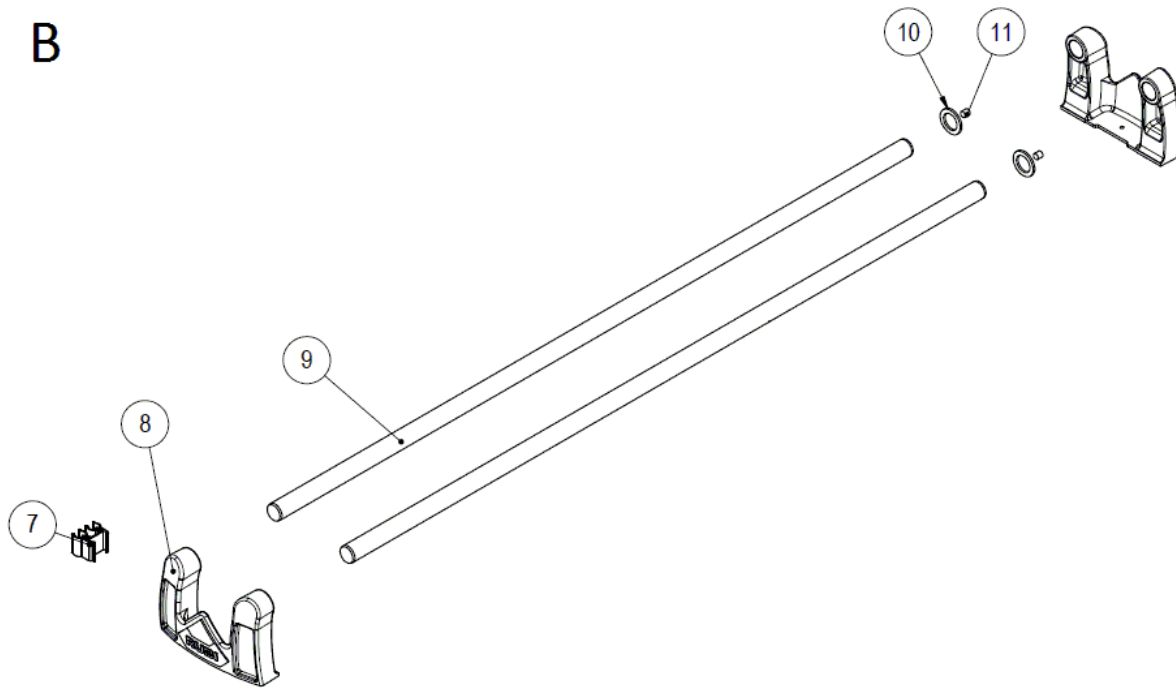


Part-list	ES	EN	Prod.
1	A	GRUPO BASE	BASE GROUP
2	B	GRUPO GUIAS Y SOPORTES	GUIDE AND SUPPORT GROUP
3	C	GRUPO PORTHERRAMIENTAS Y CORREDERAS	TOOLHOLDER AND SLIDER GROUP
4	D	GRUPO SEPARADOR	BREAKER GROUP

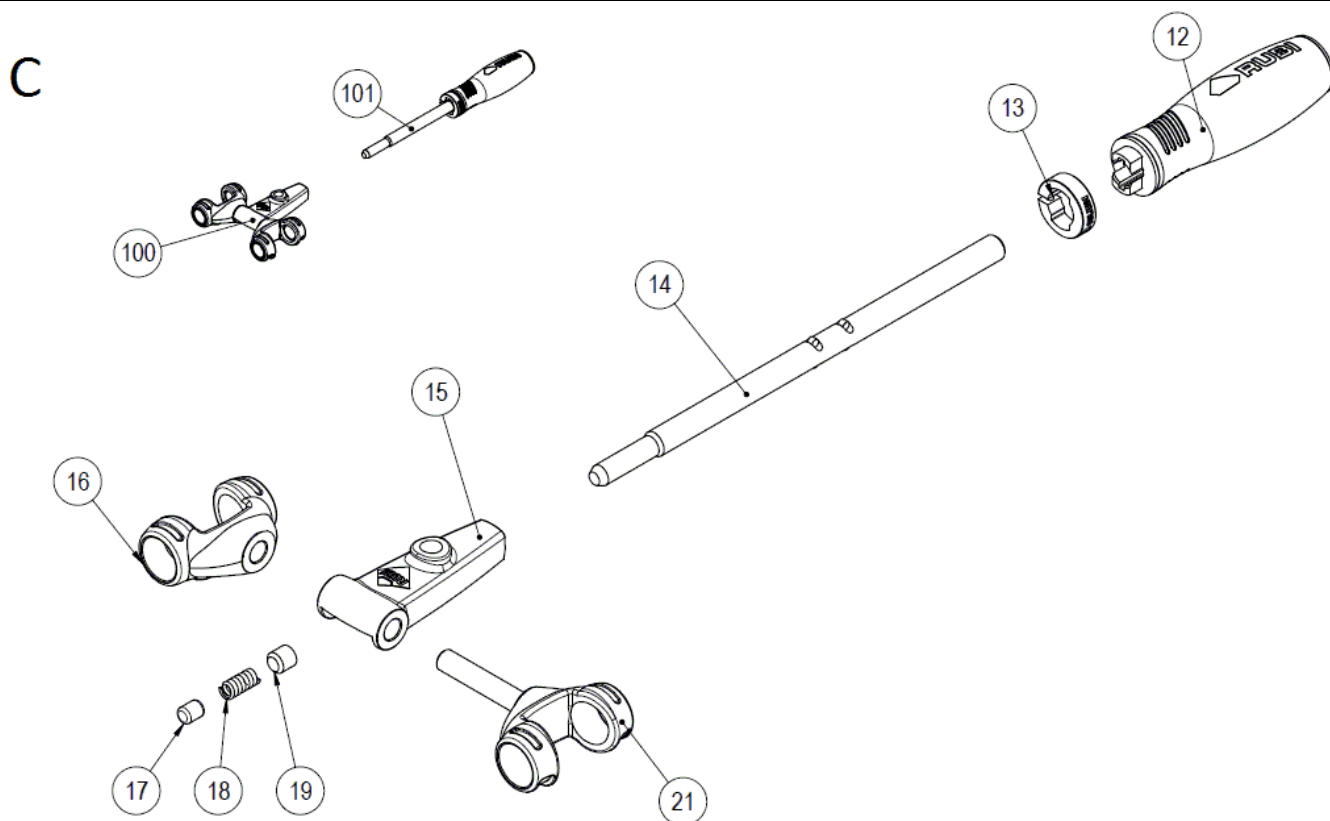
Prod.	ES	EN	From serial num.
18920	TS-43 MAX ORANGE -CORTADOR MANUAL	TS-43 MAX ORANGE TILE CUTTER 17" 43 CM	500
18921	TS-57 MAX ORANGE -CORTADOR MANUAL	TS-57 MAX ORANGE TILE CUTTER 23" (57 cm)	500
18922	TS-66 MAX ORANGE -CORTADOR MANUAL	TS-66 MAX ORANGE TILE CUTTER 26" (66 cm)	500
18923	TS-75 MAX ORANGE -CORTADOR MANUAL	TS-75 MAX ORANGE TILE CUTTER 29" (75 cm)	500
18924	TS-43 MAX ORANGE SIN MALETA -CORT.MAN.	TS-43 MAX ORANGE WO/CASE	500
18925	TS-57 MAX ORANGE SIN MALETA -CORT.MAN.	TS-57 MAX ORANGE WO/ CASE	500
18926	TS-66 MAX ORANGE SIN MALETA -CORT.MAN.	TS-66 MAX ORANGE WITHOUT CASE	500
18927	TS-75 MAX ORANGE SIN MALETA -CORT.MAN.	TS-75 MAX ORANGE SIN MALETA	500
18972	TS-43 MAX GREY -CORTADOR MANUAL	TS-43 MAX GREY TILE CUTTER 17" 43 CM	500
18973	TS-57 MAX GREY -CORTADOR MANUAL	TS-57 MAX GREY TILE CUTTER 23" (57 cm)	500
18974	TS-66 MAX GREY -CORTADOR MANUAL	TS-66 MAX GREY TILE CUTTER 26" (66 cm)	500
18975	TS-75 MAX GREY -CORTADOR MANUAL	TS-75 MAX GREY TILE CUTTER 29" (75 cm)	500



Part-list	ES	EN	Prod.		
1	15229	1	BASE TS-60 V3	BASE TS-60 V3	18922, 18926
1	15227	1	BASE TS-40 V3	BASE TS-40 V3	18920, 18924
1	15230	1	BASE TS-70 V2	BASE TS-70 V2	18923, 18927
1	15228	1	BASE TS-50 V3	BASE TS-50 V3	18921, 18925
1	15195	1	BASE TS-70 V3/G	BASE TS-70 V3/G	18975
1	15182	1	BASE TS-50 V4/G	BASE TS-50 V4/G	18973
1	15179	1	BASE TS-40 V4/G	BASE TS-40 V4/G	18972
1	15187	1	BASE TS-60 V4/G	BASE TS-60 V4/G	18974
2	15838	1	CJ.ESCUADRA TS-50 MAX	SQUARE SET FOR TS-50 MAX	18921, 18925, 18973
2	15837	1	CJ.ESCUADRA TS-40 MAX	SQUARE SET FOR TS-40 MAX	18920, 18924, 18972
2	15839	1	CJ.ESCUADRA TS-60/70 MAX	SQUARE SET FOR TS-60/70 MAX	18922, 18923, 18926, 18927, 18974, 18975
3	15749	1	TOPE LATERAL TS-60/70 V2	SIDE STOP TS-60/70 V2	18922, 18923, 18926, 18927, 18974, 18975
3	15844	1	TOPE LATERAL TS-50 V3	SIDE STOP TS-50 V3	18921, 18925, 18973
3	15843	1	TOPE LATERAL TS-30/40 V3	SIDE STOP TS-30/40 V3	18920, 18924, 18972
4	45051	2	TORN DIN 912 M6X16 6.8 ZN	SCREW DIN 912 M6X16 6.8 ZP	
5	15166	4	TORN DIN 6921 M8X16 6.8 ZN	SCREW DIN 6921 M8X16 6.8 ZP	
6	83035	6	TUERCA DIN 6923 M6 CL8 ZN	NUT DIN 6923 M6 CL8 ZP	
37	15160	1	MALETA TS-60/70/R	CASE TS-60/70/R	18922, 18923, 18926, 18927, 18974, 18975
37	15158	1	MALETA TS-40/50/R	CASE TS-40/50/R	18920, 18924, 18972, 18921, 18925, 18973
38	17021	2	COM.POMO M6X10 ROJO	RED KNOB SET M6X10	

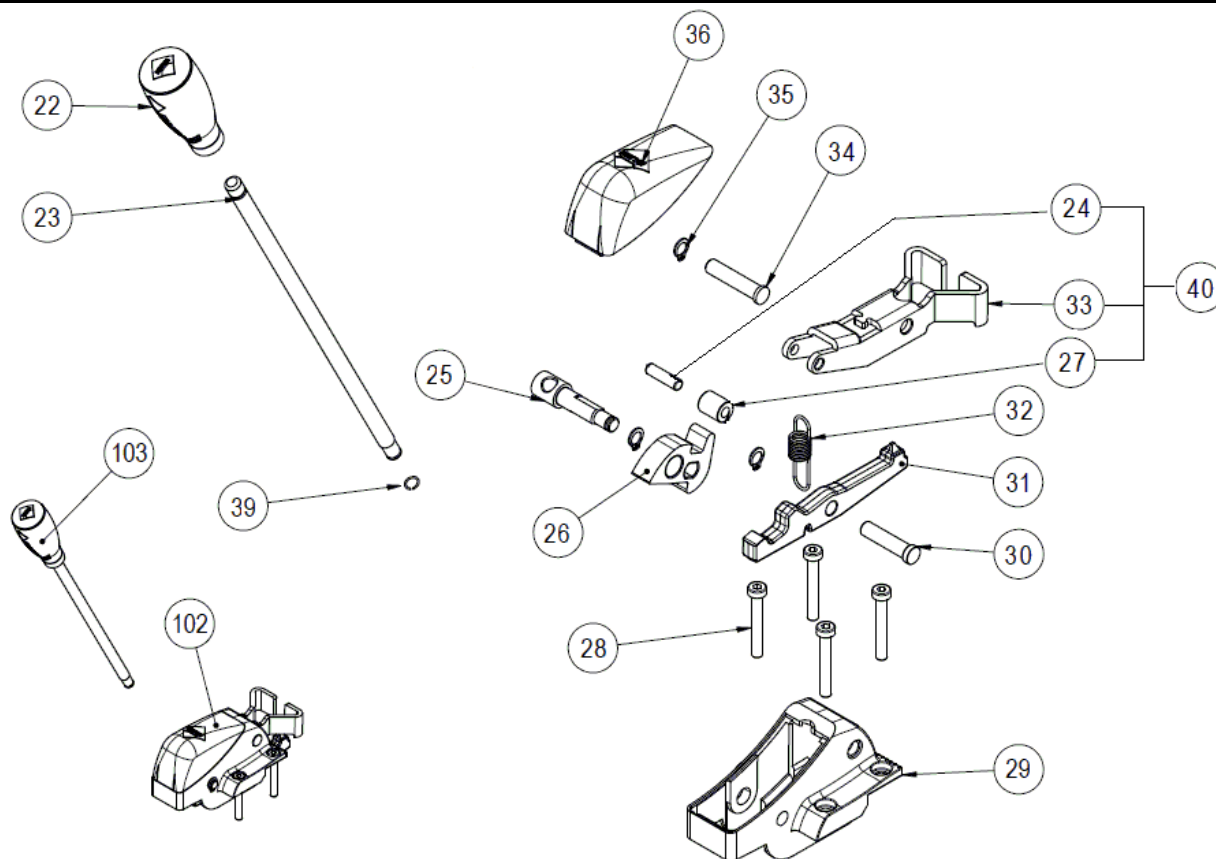


Part-list	ES	EN	Prod.	
7	18194 1	CLIP SOPORTE RODELES TS	SCORING WHEEL SUPPORT CLIP TS	
8	15181 2	SOPORTE TS-50/60 V3/NG	GUIDE SUPPORT TS-50/60 V3/BLK	
9	15223 2	GUIA Ø 17 L=790 CROMADA	CHROMING GUIDE Ø 17 L=790	18922, 18926, 18974
9	15221 2	GUIA Ø 17 L=560 CROMADA	CHROMING GUIDE Ø 17 L=560	18920, 18924, 18972
9	15222 2	GUIA Ø 17 L=700 CROMADA	CHROMING GUIDE Ø 17 L=700	18921, 18925, 18973
9	15224 2	GUIA Ø 17 L=884 CROMADA	CHROMING GUIDE Ø 17 L=884	18923, 18927, 18975
10	16096 2	TOPE CORREDERA TS MAX	SLIDE TOP TS MAX	
11	15136 2	TACO GOMA Ø 6X6	RUBBER STOPPER 6X6	



Part-list	ES	EN	Prod.
12	18361 1	MANGO RESTYLING TS/TR/TX V2	RESTYLING HANDLE TS/TR/TX V2
13	18316 1	ANILLO MANGO RESTYLING TS	RESTYLING HANDLE RING TS
14	18362 1	VARILLA MANGO RESTYLING TS V2	RESTYLING HANDLE BAR TS V2
15	15061 1	PORTAHERRAM.TS V3	TOOLHOLDER TS V3
16	15050 1	CORREDERA S/EJE TS-50/60 V2	SLIDER WO/AXLE TS-50/60 V2
17	15113 1	TACO DE NYLON Ø 5.5X 1.5 K-180	NYLON STOPFEN DIA.5.5X 1.5 K-180
18	15128 1	MUELLE FRENO PORTAHERRAM.	TOOLHOLDER BRAKE SPRING
19	17580 1	TORN DIN 913 M10X10X1,25 6.8	SCREW DIN 913 M10X10X1,25 6.8
21	15048 1	CORREDERA C/EJE TS-50/60 V2	SLIDER W/AXLE TS-50/60 V2
100	16830 1	CJ.CORREDERA.PORTAHERRAM.TS MAX	TOOL-HOLDER TS MAX
101	18811 1	CJ.MANGO RESTYLING TS	RESTYLING HANDLE SET TS

D



Part-list	ES	EN	Prod.
22	18331 1	MANGO RESTYLING SEPARADOR TS	RESTYLING SEPARATOR HANDLE TS
23	18322 1	VARILLA MANGO RESTYLING SEPARADOR TS	RESTYLING SEPARATOR HANDLE BAR TS
24	16206 1	PASADOR CILINDRICO Ø 6 H7X22	CYLINDRICAL PIN Ø 6 H7X22
25	7154 1	EJE LEVA SEPARADOR TS	AXLE CAM BREAKER TS
26	16093 1	LEVA COMANDO SEPARADOR TS MAX	BREAKER CAM TS MAX
27	16226 1	CASQ 6X12X14,5 CABONITRURADO	BUSHING 6X12X14,5
28	15781 1	TORN DIN 7984 M6X40 6.8 ZN	SCREW DIN 7984 M6X40 6.8 ZP
29	16263 1	CARCASA SEPARADOR PLUS V3	SEPARATOR CASE PLUS V3
30	7169 1	EJE PALANCA SUFRIDERA	AXLE SEPARATOR
31	15220 1	PALANCA SUFRID.SEPARADOR TS MAX	LOWER LEVER SEPARATOR TS MAX
32	7159 1	MUELLE PALANCA SEPARADOR "S"	S BREAKER INNER SPRING
33	16095 1	PALANCA PISON SEP.TS MAX	RAM LEVER SEPARATOR TS MAX
34	7158 1	EJE PALANCA PISON	PITCHER LEVER AXLE
35	7162 3	ANILLO DIN 471 Ø 8 ZN	CIRCLIP DIN 471 Ø 8 ZP
36	16084 1	TAPA CARCASA SEPARADOR TS MAX	COVER CAP SEPARATOR TS MAX
39	15038 1	ANILLO DIN 17223/84C RETENCION	STOPPER RING DIN 17223/84C
40	15805 1	CJ.PALANCA PISON SEP.PLUS V2	TAMPER LEVER SET SEPARATOR PLUS V2
102	18824 1	SEPARADOR TS MAX	TS MAX SEPARATOR
103	18814 1	CJ.MANGO RESTYLING SEPARADOR TS	RESTYLING SEPARATOR HANDLE SET TS