

RUBIMIX-25/50-N



Ref.explod 91868

07-19

07/09/2015

Product. 61950, 61951

Part-list		ES	EN	DE	FR	
1	45268	2	TORN DIN 7981 3,9X9,5 INOX	SCREW DIN 7981 3,9X9,5 INOX	SCHRAUBE DIN 7981 3,9X9,5 INOX	TORN DIN 7981 3,9X9,5 INOX
2	16091	2	TORN DIN 912 M8X25 ZN NEGRO	SCREW DIN 912 M8X25 ZN	SCHRAUBE DIN 912 M8X25 ZINK	TORN DIN 912 M8X25 ZN NEGRO
3	45342	1	ASA PLASTICO	PLASTIC HANDLE	KUNSTSTOFFGRIFF	ASA PLASTICO
4	60281	1	TAPA REDUCTOR RUBIMIX-25/50	REDUCER COVER RUBIMIX-25/50	GETRIEBEABDECKUNG RUBIMIX-25/50	TAPA REDUCTOR RUBIMIX-25/50
5	60033	2	ARAND DIN 9021 A15 ZN	WASHER DIN 9021 A15 ZN	UNTERLEGSCHIEBE DIN 9021 A15 ZN	ARAND DIN 9021 A15 ZN
6	60265	1	CUBETA GOMA RUBIMIX-25 Y 25-N	RUBBER BUCKET FOR RUBIMIX-25 & 25-N	GUMMIBEHÄLTER RUBIMIX-25	BAC CAOUTCHOUC MALAXEUR RUBIMIX 25/25-N
6	60202	1	CUBETA GOMA RUBIMIX-50 Y 50-N	RUBBER BUCKET FOR RUBIMIX-50 & 50-N	GUMMIBEHÄLTER RUBIMIX-50	BAC CAOUTCHOUC MALAXEUR RUBIMIX 50/50-N
7	60153	1	CHASIS RUBIMIX-50 V2	CHASSIS RUBIMIX-50 V2	CHASSIS RUBIMIX-50 V2	CHASSIS RUBIMIX-50 V2
8	60021	2	CJ.RUEDA DIA 100	WHEEL SET DIA.100	RADSET Ø100	CJ.RUEDA DIA 100
10	60024	1	TORN DIN 931 M10X130 ZN	SCREW DIN 931 M10X130 ZN	SCHRAUBE DIN 931 M10X130 ZN	TORN DIN 931 M10X130 ZN
11	60014	2	MUELLE MOSQUETON DIA:1.75 RMIX	SPRING HOOK DIA.1,75 RUBIMIX	KARABINERFEDER Ø1,75 RMIX	MUELLE MOSQUETON DIA 1.75 RMIX
12	60279	1	ASA RUBIMIX-50 V2	HANDLE RUBIMIX-50 V2	GRIFF RUBIMIX-50 V2	ASA RUBIMIX-50 V2
13	50150	1	TUERCA DIN 934 M10 ZN	NUT DIN 934 M10 ZN	MUTTER DIN 934 M10 ZINK	TUERCA DIN 934 M10 ZN
14	60023	1	ASPA RUBIMIX-50	REEL RUBIMIX-50	KREUZ RUBIMIX-50 V2	ASPA RUBIMIX-50
15	60034	1	PLATO SUPERIOR RUBIMIX-25/50V2	UPPER PLATE RUBIMIX-25/50V2	PLATTE OBEN RUBIMIX-25/50 V2	PLATO SUPERIOR RUBIMIX-25/50V2
16	60157	1	BRAZO MOTOR RUBIMIX-50 V3	MOTOR ARM RUBIMIX-50 V3	MOTORARM RUBIMIX-50 V3	MOTOR ARM RUBIMIX-50 V3
17	61310	1	MTRDCT RMIX-N 230V 50HZ ML	MOTOREDUCER RMIX-N 230/50 ML	GETRIEBEMOTOR 230V 50HZ	MOTOREDUCER RMIX-N 230/50 ML
17	61312	1	MTRDCT RMIX-N 220V 60HZ ML	MOTOREDUCER RMIX-N 220/60 ML	GETRIEBEMOTOR 220V 60HZ	MOTOREDUCER RMIX-N 220/60 ML
19	17549	2	CONTERA GOMA ESF.Ø 21X25	RUBBER SHOE DIA.21X25	GUMMIZWINGE Ø21X29	CONTERA GOMA ESF.DIA.21X25
20	56018	1	TUERCA DIN 985 M10 ZN AUTOB.	NUT DIN 985 M10 ZN AUTOB.	SELBSTSCHLIEßENDE MUTTER DIN 985 M10 ZN	TUERCA DIN 985 M10 ZN AUTOB.
21	60031	1	TORN DIN 933 M10X40 8.8 ZN	SCREW DIN 933 M10X40 8.8 ZN	SCHRAUBE DIN 933 M10x40 8,8 ZN	TORN DIN 933 M10X40 8.8 ZN
22	60196	1	CJ.ASA CON MUELLES RMIX-50-N	HANDLE+SPRING SET RMIX-50-N	FEDERGRIFFSET RUBIMIX-50	CJ.ASA CON MUELLES RMIX-50-N
26	56238	4	ARAND DIN 9021 A5,3 ZN	WASHER DIN 9021 A5,3 ZN	UNTERLEGSCHIEBE DIN 9021 A5,3 ZN	WASHER DIN 9021 A5,3 ZN
27	60197	1	CONDENSADOR 16MF 450V RMIX-N	CAPACITOR 16MF 450MF RMIX-N	KONDENSATOR 16MF-450V RMIX-N	CONDENSATEUR 16MF 450V RMIX-N
28	61292	1	MOTOR 230V 60HZ 0,75KW ML	MOTOR 230V 60HZ 0,75KW ML	MOTOR 220V 60Hz RUBIMIX-N	MOTOR 230V 60Hz 0,75KW ML
28	61290	1	MOTOR 230V 50HZ 0,75KW ML	MOTOR 230V 50HZ 0,75KW ML	MOTOR 220V 50Hz RUBIMIX-N	MOTOR 230V 50Hz 0,75KW ML
31	57456	1	ARRANCADOR 230V 50HZ BALANCIN	STARTER 230V 50HZ	SCHALTER 230V 50HZ WIEGE	DEMAREUR 230V 50HZ
33	60435	4	TORN DIN 933 M8X20 ZN	SCREW DIN 933 M8X20 ZN	SCHRAUBE DIN 933 M8X20 ZINK	TORN DIN 933 M8X20 ZN
34	60032	1	TUERCA DIN 936 M14 5.2 ZN	NUT DIN 936 M14 5.2 ZN	SCHRAUBE DIN 936 M14 5,2 ZN	TUERCA DIN 936 M14 5.2 ZN

Queda reservado el derecho de introducir cualquier modificacion técnica sin previo aviso

We reserve the right to introduce any technical modification without previous notice

Wir behalten uns das Recht vor, jede notwendige technische Änderung ohne vorherige Ankündigung an unseren Produkten vorzunehmen.

Il est réservé le droit à introduire une modification technique sans préavis.

RUBIMIX-25/50-N



Ref.explod **91868** **07-19** **07/09/2015**

Product. **61950, 61951**

35	60201	1	CAJA BORNES RMIX-N	CONNECTION BOX RMIX-N	KLEMMKASTEN	CAJA BORNES RMIX-N
36	45056	4	ARAND DIN 125 A8,4 ZN	WASHER DIN 125 A8,4 ZN	UNTERLEGSCHIEBE DIN 125 A8,5 ZN	ARAND DIN 125 A8,4 ZN

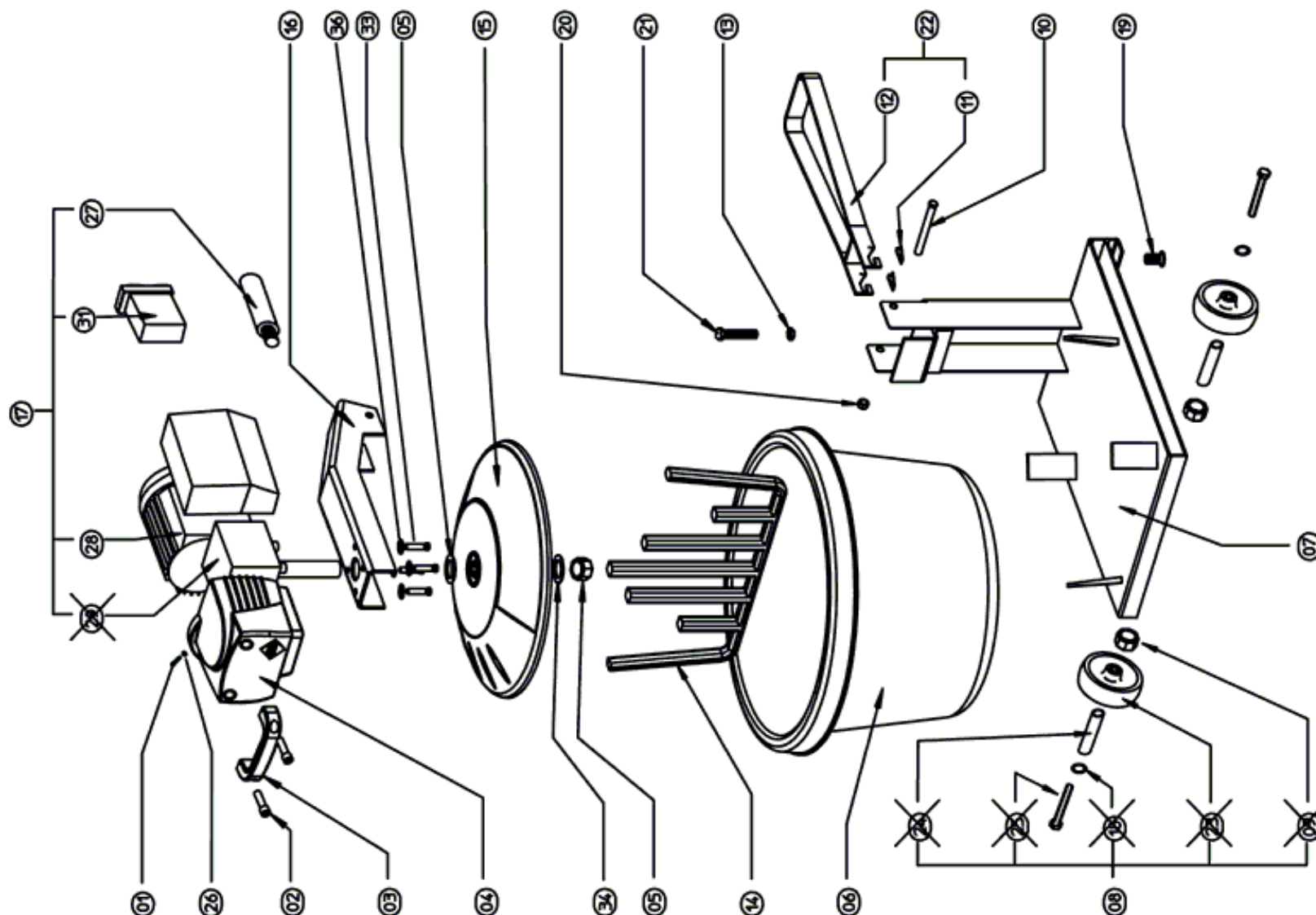
RUBIMIX-25/50-N

Ref.explod 91868

07-19

07/09/2015

Product. 61950, 61951



Queda reservado el derecho de introducir cualquier modificacion técnica sin previo aviso
We reserve the right to introduce any technical modification without previous notice

Wir behalten uns das Recht vor, jede notwendige technische Änderung ohne
vorherige Ankündigung an unseren Produkten vorzunehmen.
Il est réservé le droit à introduire une modification technique sans préavis.