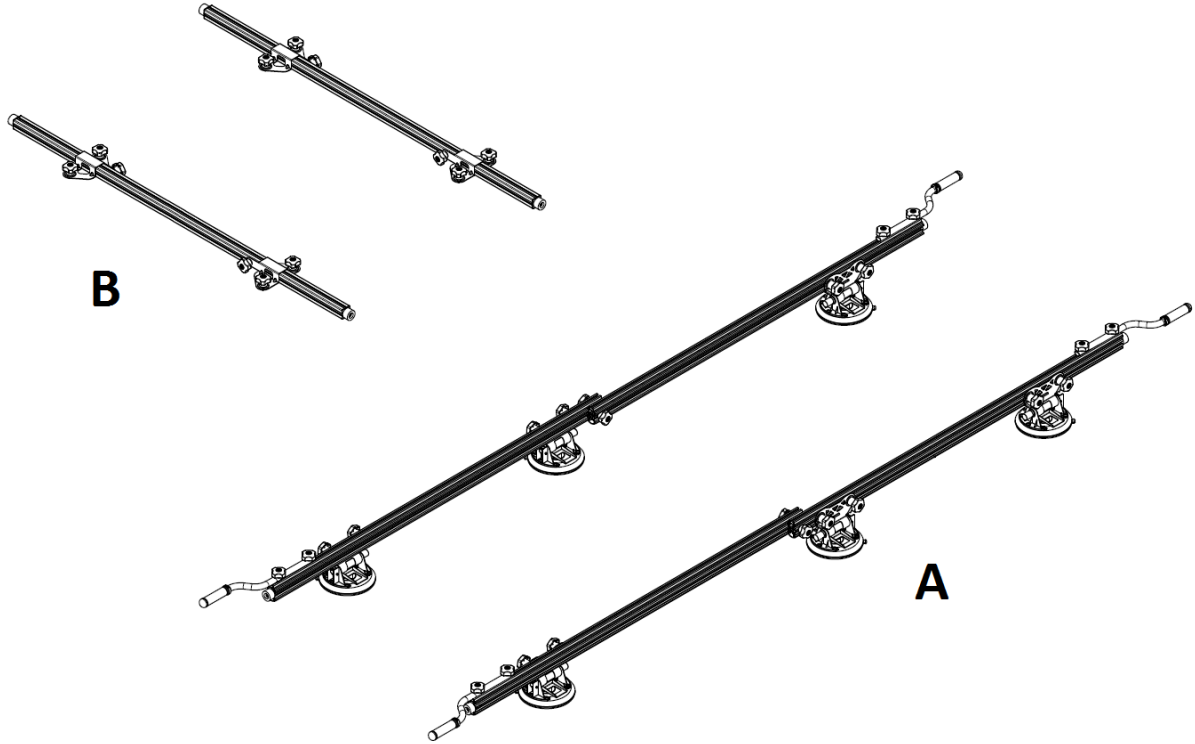


SLAB TRANS HEAVY DUTY

1000038427 01 20/07/2020

Página 1 de 3



| Part-list | ES | EN | Prod. |
|-----------|----|----|-------|
|-----------|----|----|-------|

| | | | |
|---|---------|---------|--|
| 1 | GRUPO A | GROUP A | |
| 2 | GRUPO B | GROUP B | |

| Prod. | ES | EN | From serial num. |
|-------|----|----|------------------|
|-------|----|----|------------------|

| | | | |
|-------|-----------------------|-----------------------|---|
| 18936 | SLAB TRANS HEAVY DUTY | SLAB TRANS HEAVY DUTY | - |
|-------|-----------------------|-----------------------|---|

Queda reservado el derecho de introducir cualquier modificacion técnica sin previo aviso

We reserve the right to introduce any technical modification without previous notice

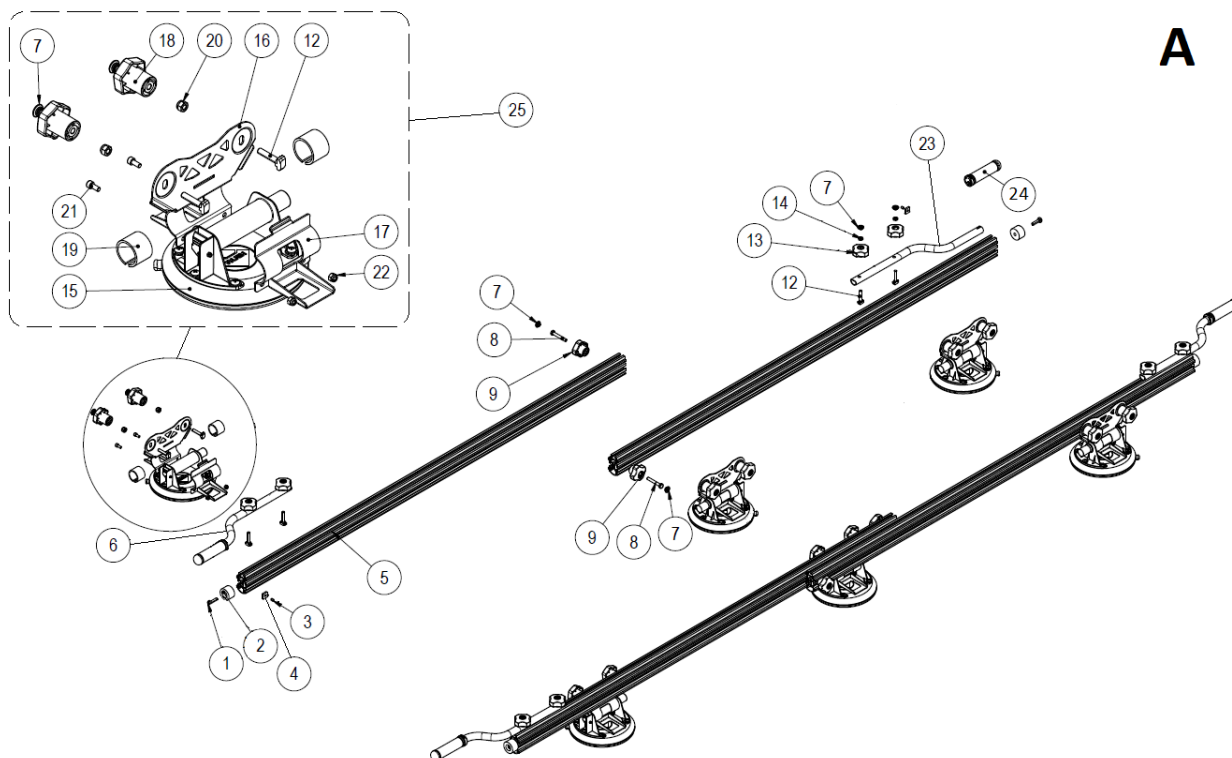
SLAB TRANS HEAVY DUTY

1000038427 01 20/07/2020

Página 2 de 3



A

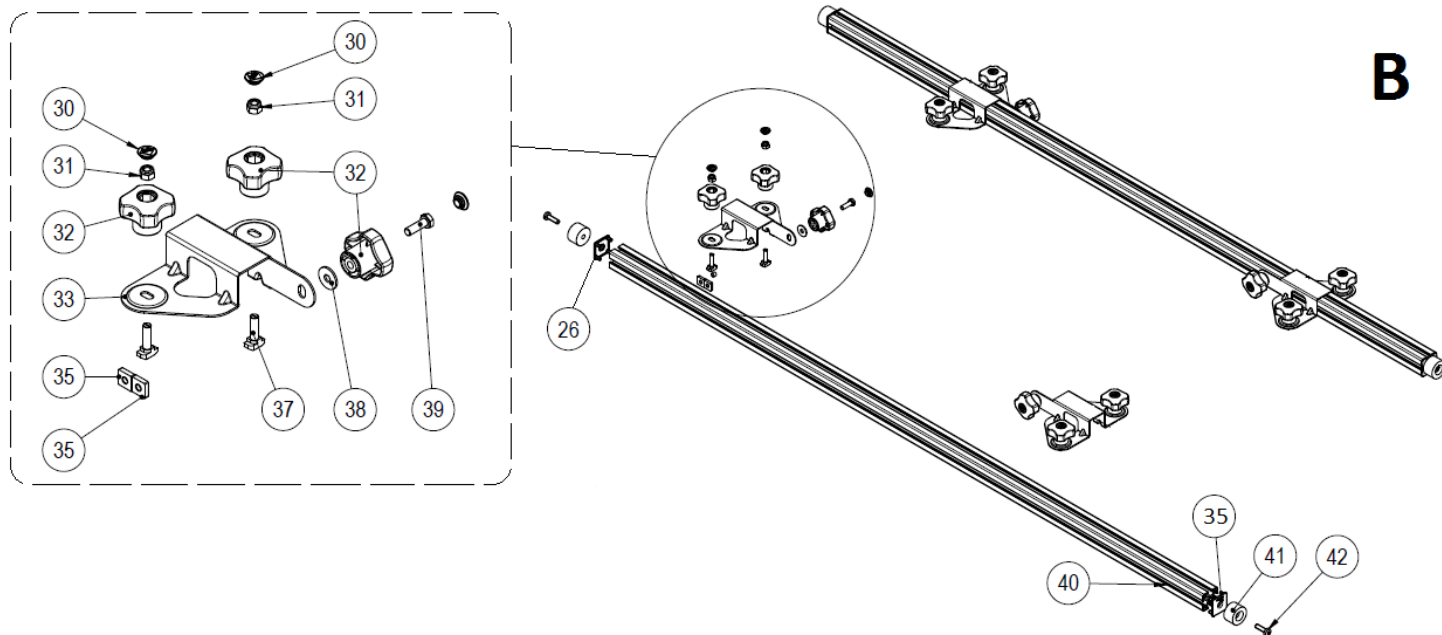


| Part-list | ES | EN | Prod. |
|-----------|----------|--|--|
| 1 | 16292 4 | TORN DIN 7500-D M8X25 8.8 ZN | SCREW DIN 7500-D M8X25 8.8 ZP |
| 2 | 16186 4 | TOPE REDONDO AKCAJ Ø38/8/20 X 24 | ROUND TOP AKCAJ Ø38/8/20 X 24 |
| 3 | 18732 4 | PRISIONERO DIN 913 M8X8 8.8 ZN | PIN DIN 913 M8X8 8.8 ZP |
| 4 | 18443 4 | TUERCA CUADRADA 18X18X5 M8 | SQUARE NUT 18X18X5 M8 |
| 5 | 18744 4 | GUIA SLAB TRANS HEAVY DUTY | GUIDE SLAB TRANS HEAVY DUTY |
| 6 | 16463 2 | TUBO MANGO TRANSPORT.ANTIGIRO Ø 22MM | ANTI ROTATION TRANSP.HANDLE TUBE Ø 22MM |
| 7 | 17332 24 | TAPON POMO M8 ROJO | RED KNOB CAP M8 |
| 8 | 17724 4 | TORN DIN 931 M8X55 8.8 ZN | SCREW DIN 931 M8X55 8.8 ZP |
| 9 | 45427 4 | POMO M8 ROJO V2 | RED KNOB M8 V2 FOR LEG |
| 12 | 16190 20 | TORN MARTILLO M8X40 CANAL 10 | SCREW HAMMER M8X40 SLOT 10 |
| 13 | 17399 8 | POMO M8 BAJO ROJO V2 | RED SHORT KNOB M8 V2 |
| 14 | 54597 8 | TUERCA DIN 439 M8 CL8 ZN | NUT DIN 439 M8 CL8 ZP |
| 15 | 18919 6 | VENTOSA CON BOMBA DE VACIO Ø 200 | VACUUM SUCTION CUP 8" |
| 16 | 16197 6 | SOPORTE FRONTAL VENTOSA VACIO | VACUUM SUCTION CUP FRONTAL SUPPORT |
| 17 | 16272 6 | SOPORTE TRASERO VENTOSA VACIO | VACUUM SUCTION CUP REAR SUPPORT |
| 18 | 54785 12 | POMO M8 ROJO LARGO | LONG RED KNOB M8 |
| 19 | 16357 12 | GOMA PROTECCION VENTOSA | SUCTION CUP PROTECTION RUBBER |
| 20 | 18789 12 | TUERCA DIN 982 M8 ZN 8.8 | NUT DIN 982 M8 ZP 8.8 |
| 21 | 25306 12 | TORN DIN 912 M6X14 8.8 ZN | SCREW DIN 912 M6x14 8.8 ZP |
| 22 | 18745 12 | TUERCA DIN 982 M6 CL8 ZN AUTOBLOC | HEX LOCK NUT DIN 982 M6 CL8 ZP |
| 23 | 16464 2 | TUBO MANGO TRANSP.ANTIGIRO Ø 22MM SIMET. | ANTI ROT.TRANS.HANDLE TUBE Ø 22MM SYMET. |
| 24 | 16414 4 | MANGO RUBI ANTIGIRO | ANTI ROTATION HANDLE RUBI Ø22 |
| 25 | 18827 1 | SUPLEMENTO VENTOSA VACIO SLAB TRANS | SUCTION CUP SLAB TRANS SUPPLEMENT |

SLAB TRANS HEAVY DUTY

1000038427 01 20/07/2020

Página 3 de 3



| Part-list | ES | EN | Prod. |
|-----------|----------|--------------------------------------|--|
| 26 | 16376 4 | TAPA FINAL 40X40 ROJA | RED FINAL COVER 40X40 |
| 30 | 17332 12 | TAPON POMO M8 ROJO | RED KNOB CAP M8 |
| 31 | 18789 8 | TUERCA DIN 982 M8 ZN 8.8 | NUT DIN 982 M8 ZP 8.8 |
| 32 | 45427 12 | POMO M8 ROJO V2 | RED KNOB M8 V2 FOR LEG |
| 33 | 16192 4 | SOPORTE UNION TRANSVERSAL SLAB TRANS | CROSSING CONECTION SUPPORT SLAB TRANS |
| 35 | 18443 12 | TUERCA CUADRADA 18X18X5 M8 | SQUARE NUT 18X18X5 M8 |
| 37 | 16193 8 | TORN MARTILLO M8X30 CANAL 10 | SCREW HAMMER M8X30 SLOT 10 |
| 38 | 55047 4 | ARAND DIN 9021 A8,4 ZN | WASHER DIN 9021 A8,4 ZP |
| 39 | 15682 4 | TORN DIN 933 M8X25 6.8 ZN | SCREW DIN 933 M8X25 6.8 ZP |
| 40 | 16191 2 | PERFIL UNION SLAB TRANS HEAVY DUTY | CROSSING CONECTION PROFILE SLAB TRANS HD |
| 41 | 16186 4 | TOPE REDONDO AKCAJ Ø38/8/20 X 24 | ROUND TOP AKCAJ Ø38/8/20 X 24 |
| 42 | 16292 4 | TORN DIN 7500-D M8X25 8.8 ZN | SCREW DIN 7500-D M8X25 8.8 ZP |