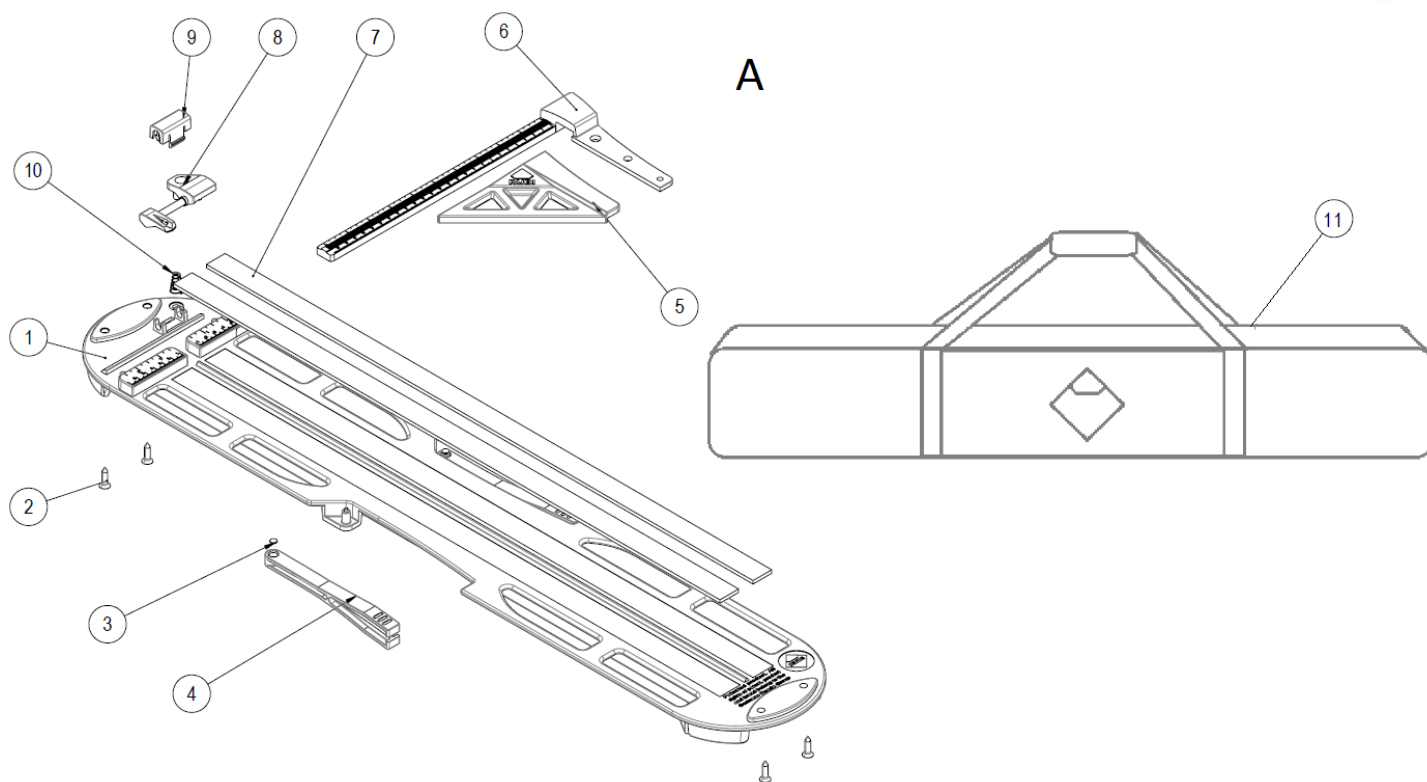


| Part-list | ES | EN                      | Prod.            |
|-----------|----|-------------------------|------------------|
| 1         | A  | GRUPO BASE              | BASE GROUP       |
| 2         | B  | GRUPO GUIAS             | GUIDE GROUP      |
| 3         | C  | GRUPO PORTAHERRAMIENTAS | TOOLHOLDER GROUP |

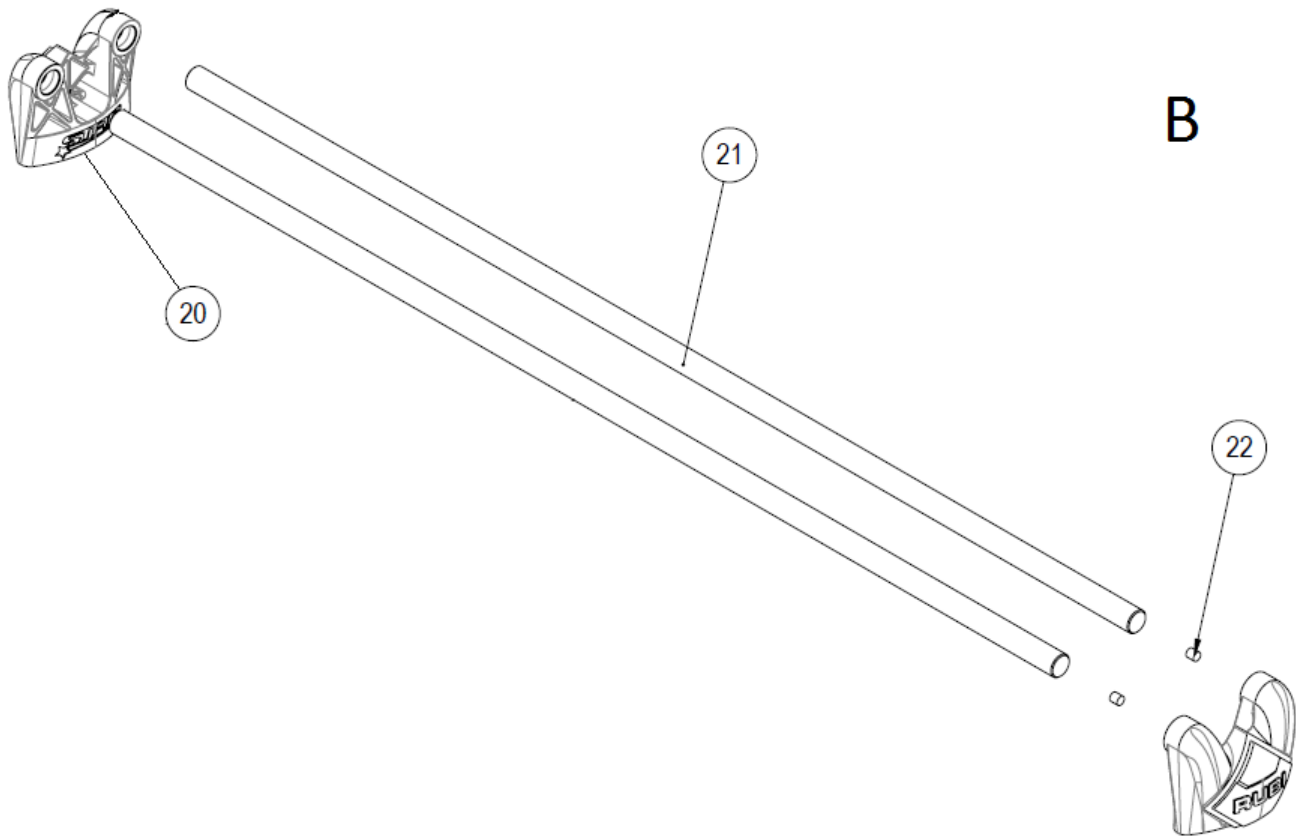
| Prod. | ES                               | EN                   | From serial num. |
|-------|----------------------------------|----------------------|------------------|
| 13934 | STAR MAX-51 -CORTADOR MANUAL     | STAR MAX-51          | SX053755         |
| 13935 | STAR MAX-65 -CORTADOR MANUAL     | STAR MAX-65          | SX053755         |
| 13937 | STAR MAX-51 CON BOLSA-CORT.MAN.  | STAR MAX-51 WITH BAG | SX053755         |
| 13938 | STAR MAX-65 CON BOLSA.-CORT.MAN. | STAR MAX-65 WITH BAG | SX053755         |

Queda reservado el derecho de introducir cualquier modificacion técnica sin previo aviso

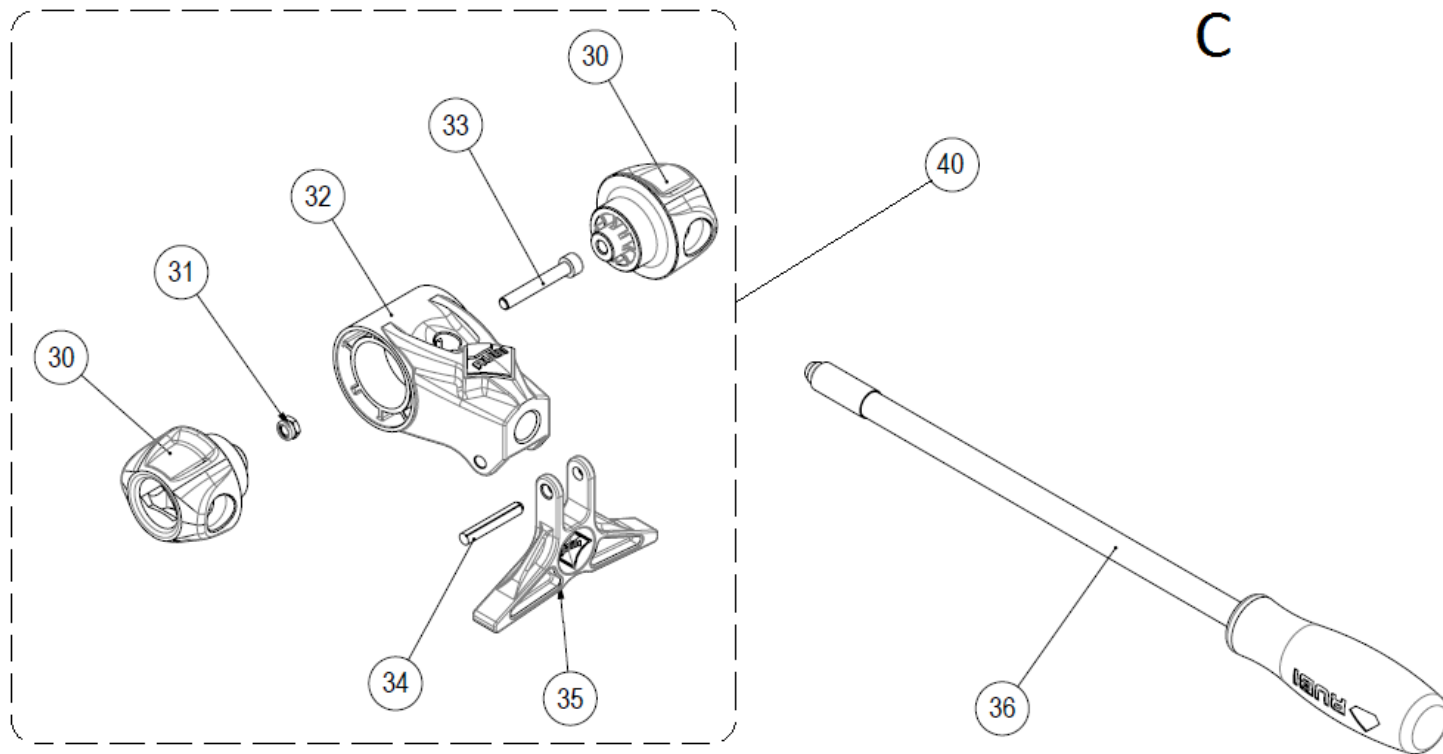
We reserve the right to introduce any technical modification without previous notice



| Part-list | ES      | EN                                  | Prod.                                |              |
|-----------|---------|-------------------------------------|--------------------------------------|--------------|
| 1         | 12222 1 | BASE STAR-50-N                      | 13934, 13938                         |              |
| 1         | 12562 1 | BASE STAR-24"                       | 13935, 13937                         |              |
| 2         | 12629 4 | TORN DIN 7982 ST4,8X19 RA-82 6.8 ZN | SCREW DIN 7982 ST4,8X19 RA-82 6.8 ZP |              |
| 3         | 12353 2 | ARAND A3X10X3,8 ARANLOCK            | WASHER A3X10X3,8 ARANLOCK            |              |
| 4         | 12212 2 | PIE DE APOYO STAR-N                 | LEG STAR-N                           |              |
| 5         | 13436 1 | SUPLEMENTO 45° V2                   | 45° SUPPLEMENT V2                    |              |
| 6         | 12213 1 | GUIA TOPE LATERAL STAR-N PLUS       | LATERAL TOP GUIDE STAR-N PLUS        |              |
| 7         | 12627 2 | GOMA STAR MAX-65                    | RUBBER STAR MAX-65                   | 13935, 13938 |
| 7         | 12654 2 | GOMA STAR MAX-51                    | RUBBER STAR MAX-51                   | 13934, 13937 |
| 8         | 12214 1 | PULSADOR STAR-N PLUS                | PUSH STAR-N PLUS                     |              |
| 9         | 12215 1 | TAPA PULSADOR STAR                  | PUSH COVER STAR                      |              |
| 10        | 12216 1 | MUELLE STAR-N PLUS                  | SPRING STAR-N PLUS                   |              |
| 11        | 12659 1 | BOLSA DE TRANSPORTE STAR MAX 51CM   | CARRY BAG STAR MAX 51CM              | 13937        |
| 11        | 12690 1 | BOLSA DE TRANSPORTE STAR MAX 65CM   | CARRY BAG STAR MAX 65CM              | 13938        |



| Part-list | ES      | EN               | Prod.                          |              |
|-----------|---------|------------------|--------------------------------|--------------|
| 20        | 12622 2 | SOPORTE STAR MAX | STAR MAX SUPPORT               |              |
| 21        | 12652 2 | GUIA Ø 15 L=626  | GUIDE DIA.15 L=626 STAR MAX-51 | 13934, 13937 |
| 21        | 12623 2 | GUIA Ø 15 L=766  | GUIDE DIA.15 L=766 STAR MAX-65 | 13935, 13938 |
| 22        | 15136 2 | TACO GOMA Ø 6X6  | RUBBER STOPPER 6X6             |              |



| Part-list | ES      | EN                                | Prod.                          |
|-----------|---------|-----------------------------------|--------------------------------|
| 30        | 12625 2 | CORREDERA STAR MAX                | SLIDER STAR MAX                |
| 31        | 40045 1 | TUERCA DIN 985 M5 CL8 ZN AUTOBLOC | HEX LOCK NUT DIN 985 M5 CL8 ZP |
| 32        | 12624 1 | PORTAHERRAM.STAR MAX              | TOOLHOLDER STAR MAX            |
| 33        | 60503 1 | TORN DIN 912 M5X35 6.8 ZN         | SCREW DIN 912 M5X35 6.8 ZP     |
| 34        | 12628 1 | PASADOR DIN 1473 5X32             | BREAKER SHAFT DIN 1473 5X32    |
| 35        | 12626 1 | PISADOR STAR MAX                  | BREAKER FEET STAR MAX          |
| 36        | 12650 1 | CJ.MANGO STAR MAX                 | ASSEMBLY HANDLE STAR MAX       |
| 40        | 12819 1 | CJ.PORTAHERRAM.STAR-N PLUS        | TOOL HOLDER STAR-N PLUS        |