

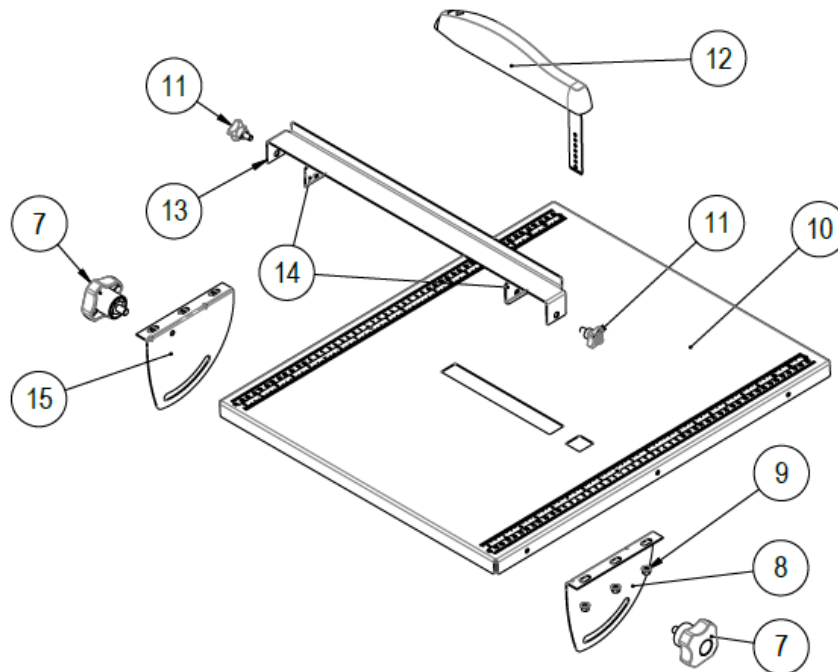
Part-list	ES	EN	Prod.
1	A	GRUPO MESA	TABLE GROUP
2	B	GRUPO CHASIS	CHASSIS GROUP
3	C	GRUPO MOTOR	MOTOR GROUP

Prod.	ES	EN	From serial num.
45910	ND-200 230V 50HZ. -CORT.ELEC.	DIAMANT ND-200 230V 50Hz.	8501
45911	ND-200 220V 60HZ. -CORT.ELEC.	DIAMANT ND-200 220V 60Hz.	3640
45915	ND-200 230V 50HZ. UK -CORT.ELEC.	DIAMANT ND-200 230V 50Hz. UK	2264
45916	ND-200 110V 50HZ. UK -CORT.ELEC.	DIAMANT ND-200 110V 50Hz. UK	1439
45918	ND-200 120V 60HZ. USA -CORT.ELEC.	DIAMANT ND-200 120V 60Hz. USA	1216

Queda reservado el derecho de introducir cualquier modificacion técnica sin previo aviso

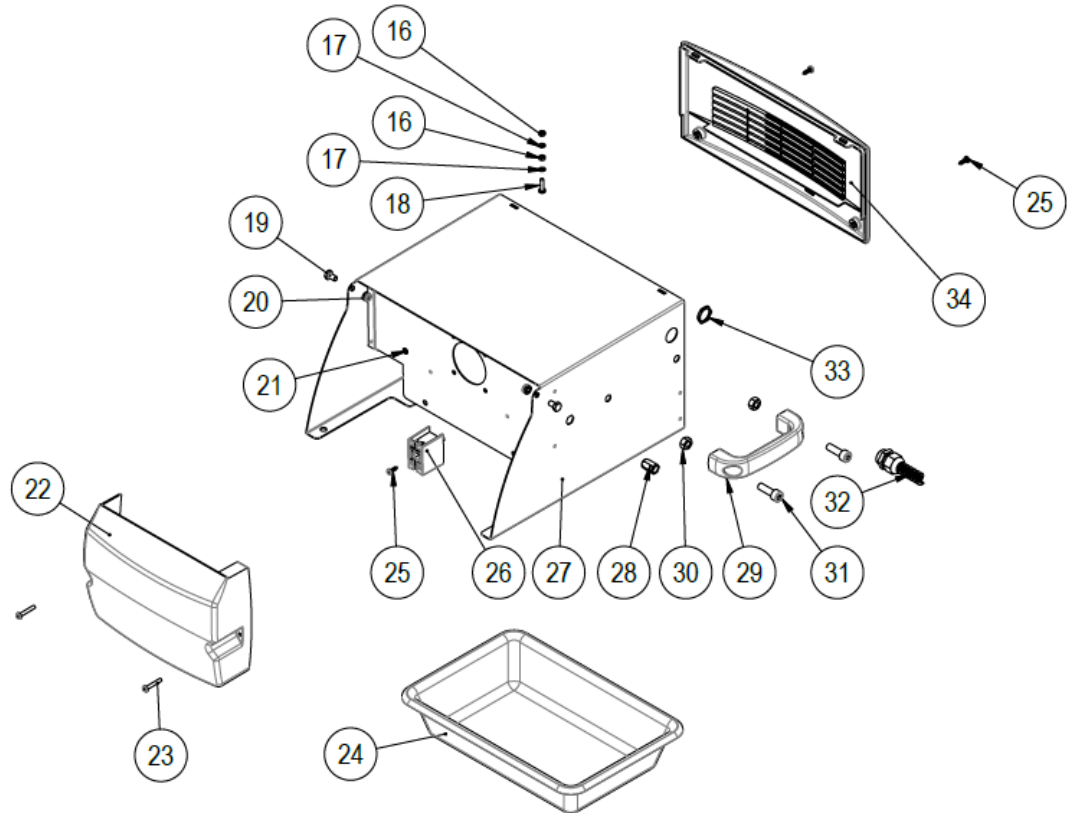
We reserve the right to introduce any technical modification without previous notice

## A

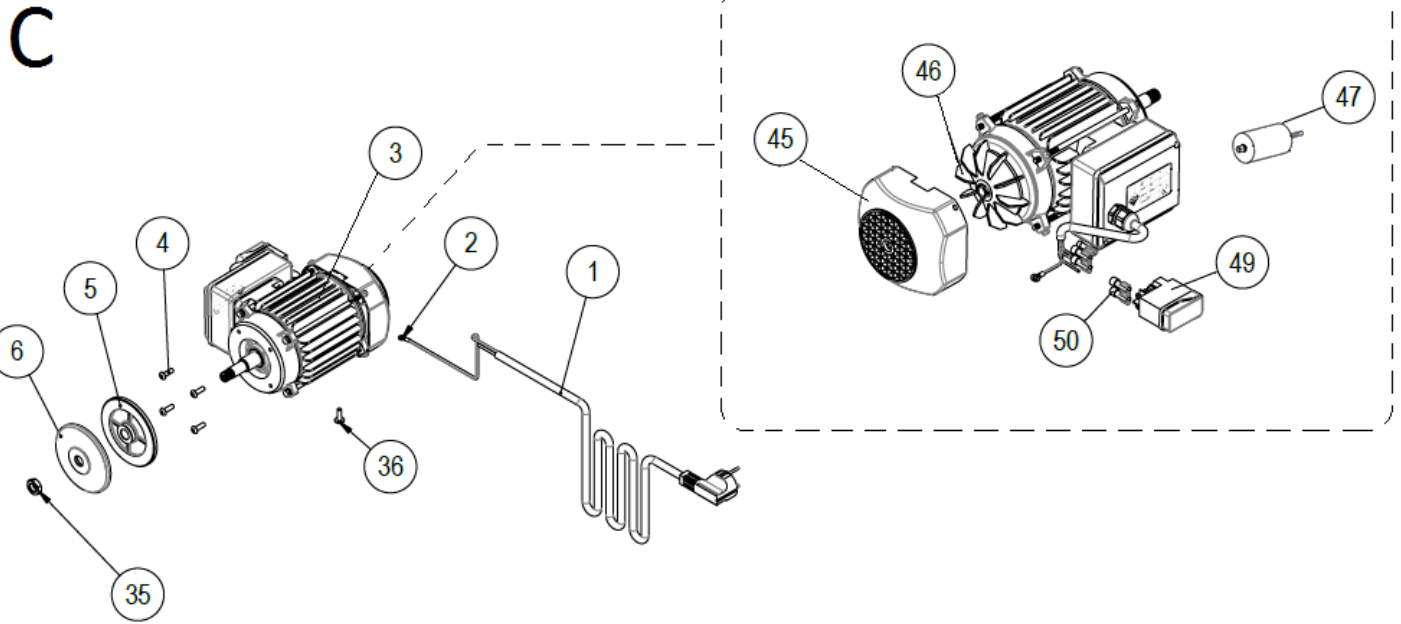


Part-list	ES	EN	Prod.
7	45872 2	CJ.POMO M8X13 ROJO V2	RED KNOB SET M8X13 V2
8	45558 1	ARTICULACION IZQ.MESA/R	LEFT TABLE JOINT/R
9	70104 6	TUERCA DIN 6923 M5 CL8 ZN	NUT DIN 6923 M5 CL8 ZP
10	45144 1	CJ.MESA ND-200 V3 MM/INCH	TABLE SET FOR ND-200 V3 MM/INCH
11	17021 2	COM.POMO M6X10 ROJO	RED KNOB SET M6X10
12	45561 1	CJ.PROTECTOR DISCO ND180/200/R	DISK PROTECTOR SET ND180/200/R
13	45046 1	TOPE LATERAL ND-200 V2	ND-200 LATERAL STOP V2
14	45068 2	BLOQUEO TOPE LATERAL ND-200	LATERAL TOP LOCKER ND-200
15	45559 1	ARTICULACION DER.MESA/R	RIGHT TABLE JOINT/R

## B



Part-list	ES	EN	Prod.
16	45522 2	TUERCA DIN 934 M4 CL8 ZN	HEX NUT DIN 934 M4 CL8 ZP
17	45343 2	ARAND DIN 6798 A4,3X8 INOX A2	WASHER DIN 6798 A4,3X8 SS A2
18	45331 1	TORN DIN 7985 M4X16 6.8 ZN	SCREW DIN 7985 M4X16 6.8 ZP
19	16089 2	TORN DIN 933 M6X10 6.8 ZN	SCREW DIN 933 M6X10 6.8 ZP
20	40020 2	TUERCA DIN 985 M6 CL8 ZN AUTOBLOC	HEX LOCK NUT DIN 985 M6 CL8 ZP
21	45407 2	TUERCA REMACHABLE M4 C/HEX.CON VALONA	RIVETING NUT M4 C/EXAG.
22	45426 1	TAPA DISCO ND-200	ND-200 BLADE GUARD
23	45335 2	TORN DIN 7985 M4X25 6.8 ZN	SCREW DIN7985 M4X25 6.8 ZP
24	45327 1	CUBETA ND-180/200	ND-180/200 WATER TRAY
25	45336 3	TORN DIN 7981 3,9X13 6.8 ZN	SCREW DIN 7981 3,9X13 6.8 ZP
26	45315 1	SOPORTE SABLE ND-180/200	ND-180/200 BLADE GUARD SUPPORT
27	45127 1	CHASIS ND-200/G V3	CHASSIS ND-200/G V3
28	45322 2	TUERCA REMACHABLE M8 C/HEX	RIVETING NUT M8 C/EXG
29	45342 1	ASA PLASTICO 116MM M8	PLASTIC HANDLE 116MM M8
30	45055 2	TUERCA DIN 934 M8 CL8 ZN	HEX NUT DIN 934 M8 CL8 ZP
31	16091 2	TORN DIN 912 M8X25 6.8 ZN NEGRO	SCREW DIN 912 M8X25 6.8 ZP
32	71101 1	PRENSAESTOPA PG-11 HELICOIDE	PLASTIC CABLE GLAND PG-11
33	50115 1	TUERCA PG-11 HEXAGONAL METAL.	NUT EXAG.PG-11 METAL
34	45325 1	TAPA MOTOR ND-180/200	MOTOR GUARD



Part-list	ES	EN	Prod.	
1	60236 1	ENCH.C.NEMA 5-15P/14AWGX3 3,5M	CABLE&PLUG NEMA 5-15P/14AWGX3 3,5M	45918
1	50201 1	ENCHUFE CABL.3X1,5 2M	CABLE+PLUG 3X1,5 2M	45910, 45911
1	50172 1	ENCHUFE CABL.230V 3X1,5 UK 2M	CABLE+PLUG 230V 3X1,5 UK 2M	45915
1	45079 1	ENCHUFE CABL.110V 3X1,5 UK 2M	CABLE+PLUG 110V 3X1,5 UK 2M	45916
2	50170 1	TERMINAL COPAIN TA104 2,5X4,3	RING TERMINAL TA104 2,5X4,3	
3	45456 1	MOTOR 230V 50HZ 0,8KW INVER.SIN PLATOS	MOTOR 230V 50HZ 0,8KW INVER.W/O FLANGES	45910, 45915, 45948
3	45457 1	MOTOR 220V 60HZ 0,8KW INVER.SIN PLATOS	MOTOR 220V 60HZ 0,8KW INVER.WO/FLANGES	45911
3	45458 1	MOTOR 110V 50HZ 0,8KW INVER.SIN PLATOS	MOTOR 110V 50HZ 0,8KW INVER.W/O FLANGES	45916
4	24232 4	TORN ISO 7380 M5X16 10.9 ZN	SCREW ISO 7380 M5X16 10.9 ZP	
5	45169 1	PLATO INT.13X25,4X90 ND-200 V2	INNER FLANGE 13X25,4X90 ND-200 V2	
6	45170 1	PLATO EXT.13,25X25,5X90 ND-200 V2	OUTER FLANGE 13,25X25,5X90 ND V2	
35	45067 1	TUERCA DIN 936 M12 CL8 ZN	NUT DIN 936 M12 CL8 ZP	
36	19635 1	TORN ISO 7380 M5X16 ULS 10.9 ZN	SCREW ISO 7380 M5X16 ULS 10.9 ZP	
45	19643 1	TAPA VENTILADOR MOTOR DU-200 EVO	MOTOR FAN COVER DU-200 EVO	
46	19639 1	VENTILADOR MOTOR DU-200 EVO	MOTOR PLASTIC FAN DU-200 EVO	
47	19637 1	CONDENSADOR 12MF 450V 50/60HZ	CAPACITOR 12MF 450V 50/60HZ	45910, 45911, 45915
47	19613 1	CONDENSADOR 60MF 250V 50/60HZ	CAPACITOR 60MF 250V 50/60HZ	45458
49	40060 1	INTERRUP.AC120V 50/60HZ E-T-A	SWITCH AC120V 50/60HZ E-T-A	45916, 45918
49	57456 1	ARRANCADOR 230V 50HZ BALANCIN	STARTER 230V 50HZ	45910, 45911, 45915
50	61255 2	HEMBRA COPAIN PLANA 6X6,3 FUN	ISOLATED FEMALE TERMINAL 6X6,3	