

RUBIMIX-16 ERGOMAX



Ref.explod 100000709 03

07/10/2016

Product. 24994, 24995, 24996, 24997, 24998, 24999

| Part-list | ES | EN | DE | FR |
|-----------|----------|---|--|--|
| 1 | 24345 12 | TORN ST3,9X14 | SCREW ST3,9X14 | SCREW ST3,9X14 |
| 2 | 24346 1 | TAPA MOTOR TRASERA RUBIMIX-16 ERGOMAX | REAR COVER RUBIMIX-16 ERGOMAX | REAR COVER RUBIMIX-16 ERGOMAX |
| 3 | 24347 1 | TAPA VENTILACION RMI-16 ERGOMAX POS.3 | AIR GUIDE COVER RUBIMIX-16 ERGOMAX POS.3 | AIR GUIDE COVER RUBIMIX-16 ERGOMAX POS.3 |
| 4 | 24348 1 | MANGO PLAST.SUPERIOR RUBIMIX-16 ERGOMAX | TOP PLASTIC HANDLE RUBIMIX-16 ERGOMAX | TOP PLASTIC HANDLE RUBIMIX-16 ERGOMAX |
| 5 | 24349 1 | ABRAZADERA POS.5 RUBIMIX-16 ERGOMAX | CLAMP BOARD RUBIMIX-16 ERGOMAX | CLAMP BOARD RUBIMIX-16 ERGOMAX |
| 6 | 24350 1 | TUERCA M8 RUBIMIX-16 ERGOMAX | NUT M8 RUBIMIX-16 ERGOMAX | NUT M8 RUBIMIX-16 ERGOMAX |
| 7 | 24351 1 | POMO ABRAZADERA RUBIMIX-16 ERGOMAX | CLAMP KNOB RUBIMIX-16 ERGOMAX | CLAMP KNOB RUBIMIX-16 ERGOMAX |
| 8 | 24352 2 | FIJACION ABRAZADERA RUBIMIX-16 ERGOMAX | CLAMP MAT RUBIMIX-16 ERGOMAX | CLAMP MAT RUBIMIX-16 ERGOMAX |
| 9 | 24353 1 | MANGO PLAST.INFERIOR RUBIMIX-16 ERGOMAX | UNDER PLASTIC HANDLE RUBIMIX-16 ERGOMAX | UNDER PLASTIC HANDLE RUBIMIX-16 ERGOMAX |
| 10 | 24354 17 | TORN ST3,9X16 | SCREW ST3,9X16 | SCREW ST3,9X16 |
| 11 | 24355 2 | TAPA ESCOBILLA RUBIMIX-16 ERGOMAX | BRUSHER COVER RUBIMIX-16 ERGOMAX | BRUSHER COVER RUBIMIX-16 ERGOMAX |
| 12 | 24407 2 | ESCOBILLA RUBIMIX-16 ERGOMAX 110V | CARBON BRUSHER RUBIMIX-16 ERGOMAX 110V | CARBON BRUSHER RUBIMIX-16 ERGOMAX 110V |
| 12 | 24356 2 | ESCOBILLA RUBIMIX-16 ERGOMAX 230V | CARBON BRUSHER RUBIMIX-16 ERGOMAX 230V | CARBON BRUSHER RUBIMIX-16 ERGOMAX 230V |
| 13 | 24357 2 | PORTAESCOBILLAS RUBIMIX-16 ERGOMAX | BRUSHER HOLDER RUBIMIX-16 ERGOMAX | BRUSHER HOLDER RUBIMIX-16 ERGOMAX |
| 14 | 24358 1 | CARCASA MOTOR RUBIMIX-16 ERGOMAX | MOTOR HOUSE RUBIMIX-16 ERGOMAX | MOTOR HOUSE RUBIMIX-16 ERGOMAX |
| 15 | 24408 1 | ESTATOR RUBIMIX-16 ERGOMAX 110V | STATOR RUBIMIX-16 ERGOMAX 110V | STATOR RUBIMIX-16 ERGOMAX 110V |
| 15 | 24359 1 | ESTATOR RUBIMIX-16 ERGOMAX 230V | STATOR RUBIMIX-16 ERGOMAX 230V | STATOR RUBIMIX-16 ERGOMAX 230V |
| 16 | 24360 2 | TORN ST4,8X60 | SCREW ST4,8X60 | SCREW ST4,8X60 |
| 17 | 24361 1 | ANILLO VENTILACION MOTOR RMI-16 ERGOMAX | MOTOR WIND RING RUBIMIX-16 ERGOMAX | MOTOR WIND RING RUBIMIX-16 ERGOMAX |
| 18 | 24362 1 | SOPORTE RODAMIENTO RUBIMIX-16 ERGOMAX | BEARING HOLDER RUBIMIX-16 ERGOMAX | BEARING HOLDER RUBIMIX-16 ERGOMAX |
| 19 | 24363 1 | RODAMIENTO 608 RUBIMIX-16 ERGOMAX | BEARING 608 RUBIMIX-16 ERGOMAX | BEARING 608 RUBIMIX-16 ERGOMAX |
| 20 | 24409 1 | ROTOR RUBIMIX-16 ERGOMAX 110V | ROTOR RUBIMIX-16 ERGOMAX 110V | ROTOR RUBIMIX-16 ERGOMAX 110V |
| 20 | 24364 1 | ROTOR RUBIMIX-16 ERGOMAX 230V | ROTOR RUBIMIX-16 ERGOMAX 230V | ROTOR RUBIMIX-16 ERGOMAX 230V |
| 21 | 24365 1 | RODAMIENTO 6001 RUBIMIX-16 ERGOMAX | BEARING 6001 RUBIMIX-16 ERGOMAX | BEARING 6001 RUBIMIX-16 ERGOMAX |
| 22 | 24366 1 | MUELLE POS.22 RUBIMIX-16 ERGOMAX | SPRING POS.22 RUBIMIX-16 ERGOMAX | SPRING POS.22 RUBIMIX-16 ERGOMAX |
| 23 | 24367 1 | TORN M4X14 | SCREW M4X14 | SCREW M4X14 |
| 24 | 24368 1 | REGULADOR VELOCIDAD RUBIMIX-16 ERGOMAX | KNOB SPEED SHIFT RUBIMIX-16 ERGOMAX | KNOB SPEED SHIFT RUBIMIX-16 ERGOMAX |
| 25 | 24369 2 | BOLA ACERO 4.0 RUBIMIX-16 ERGOMAX | STEEL BALL 4.0 RUBIMIX-16 ERGOMAX | STEEL BALL 4.0 RUBIMIX-16 ERGOMAX |
| 26 | 24370 2 | MUELLE POS.26 RUBIMIX-16 ERGOMAX | SPRING POS.26 RUBIMIX-16 ERGOMAX | SPRING POS.26 RUBIMIX-16 ERGOMAX |

Queda reservado el derecho de introducir cualquier modificacion técnica sin previo aviso
We reserve the right to introduce any technical modification without previous notice

Wir behalten uns das Recht vor, jede notwendige technische Änderung ohne
vorherige Ankündigung an unseren Produkten vorzunehmen.
Il est réservé le droit à introduire une modification technique sans préavis.

RUBIMIX-16 ERGOMAX



Ref.explod 100000709 03 07/10/2016 Product. 24994, 24995, 24996, 24997, 24998, 24999

| | | | | | | |
|----|-------|---|---|--|--|--|
| 27 | 24371 | 1 | ANILLO ELASTICO 28MM | CIRCLIP 28MM | CIRCLIP 28MM | CIRCLIP 28MM |
| 28 | 24372 | 1 | EJE REGULADOR VELOCIDAD RMI-16 ERGOMAX | SPEED SHIFT POLE RUBIMIX-16 ERGOMAX | SPEED SHIFT POLE RUBIMIX-16 ERGOMAX | SPEED SHIFT POLE RUBIMIX-16 ERGOMAX |
| 29 | 24373 | 1 | TAPA ACEITE 21X26X5 RUBIMIX-16 ERGOMAX | FRAME OIL COVER 21X26X5 RMI-16 ERGOMAX | FRAME OIL COVER 21X26X5 RMI-16 ERGOMAX | FRAME OIL COVER 21X26X5 RMI-16 ERGOMAX |
| 30 | 19422 | 4 | TORN ST4,8X55 | SCREW ST4,8X55 | SCREW ST4,8X55 | SCREW ST4,8X55 |
| 31 | 24375 | 1 | CAJA ENGRANAJES RUBIMIX-16 ERGOMAX | GEAR BOX RUBIMIX-16 ERGOMAX | GEAR BOX RUBIMIX-16 ERGOMAX | GEAR BOX RUBIMIX-16 ERGOMAX |
| 32 | 24376 | 1 | PRISIONERO 4H 8X8 | PIN4H 8X8 | PIN4H 8X8 | PIN4H 8X8 |
| 33 | 24377 | 3 | RODAMIENTO 628/8 RUBIMIX-16 ERGOMAX | BEARING 628/8 RUBIMIX-16 ERGOMAX | BEARING 628/8 RUBIMIX-16 ERGOMAX | BEARING 628/8 RUBIMIX-16 ERGOMAX |
| 34 | 24378 | 1 | ENGRANAJE INICIAL CL.III RMI-16 ERGOMAX | INITIATIVE GEAR CL.III RMI-16 ERGOMAX | INITIATIVE GEAR CL.III RMI-16 ERGOMAX | INITIATIVE GEAR CL.III RMI-16 ERGOMAX |
| 35 | 24379 | 1 | ENGRANAJE TRANSM.CL.III RMI-16 ERGOMAX | DRIVEN GEAR CL.III RMI-16 ERGOMAX | DRIVEN GEAR CL.III RMI-16 ERGOMAX | DRIVEN GEAR CL.III RMI-16 ERGOMAX |
| 36 | 24380 | 1 | ENGRANAJE TRANSM.CL.II RMI-16 ERGOMAX | DRIVEN GEAR CL.II RMI-16 ERGOMAX | DRIVEN GEAR CL.II RMI-16 ERGOMAX | DRIVEN GEAR CL.II RMI-16 ERGOMAX |
| 37 | 24412 | 1 | CABLE ENCHUFE RMI-16 ERGOMAX 110V UK | POWER CORD RUBIMIX-16 ERGOMAX 110V UK | POWER CORD RUBIMIX-16 ERGOMAX 110V UK | POWER CORD RUBIMIX-16 ERGOMAX 110V UK |
| 37 | 24410 | 1 | CABLE ENCHUFE RMI-16 ERGOMAX 110V USA | POWER CORD RUBIMIX-16 ERGOMAX 110V USA | POWER CORD RUBIMIX-16 ERGOMAX 110V USA | POWER CORD RUBIMIX-16 ERGOMAX 110V USA |
| 37 | 24411 | 1 | CABLE ENCHUFE RMI-16 ERGOMAX 230V UK | POWER CORD RUBIMIX-16 ERGOMAX 230V UK | POWER CORD RUBIMIX-16 ERGOMAX 230V UK | POWER CORD RUBIMIX-16 ERGOMAX 230V UK |
| 37 | 24381 | 1 | CABLE ENCHUFE RMI-16 ERGOMAX 230V VDE | POWER CORD RUBIMIX-16 ERGOMAX 230V VDE | POWER CORD RUBIMIX-16 ERGOMAX 230V VDE | POWER CORD RUBIMIX-16 ERGOMAX 230V VDE |
| 38 | 24382 | 1 | FUNDA CABLE RUBIMIX-16 ERGOMAX | CORD SHEATH RUBIMIX-16 ERGOMAX | CORD SHEATH RUBIMIX-16 ERGOMAX | CORD SHEATH RUBIMIX-16 ERGOMAX |
| 39 | 24383 | 1 | JUNTA CABLE ENCHUFE RUBIMIX-16 ERGOMAX | CORD BOARD RUBIMIX-16 ERGOMAX | CORD BOARD RUBIMIX-16 ERGOMAX | CORD BOARD RUBIMIX-16 ERGOMAX |
| 40 | 24529 | 1 | INTERRUPTOR 110V RUBIMIX-16 ERGOMAX | SWITCH CONTROL 110V RUBIMIX-16 ERGOMAX | SWITCH CONTROL 110V RUBIMIX-16 ERGOMAX | SWITCH CONTROL 110V RUBIMIX-16 ERGOMAX |
| 40 | 24384 | 1 | INTERRUPTOR 230V RUBIMIX-16 ERGOMAX | SWITCH CONTROL 230V RUBIMIX-16 ERGOMAX | SWITCH CONTROL 230V RUBIMIX-16 ERGOMAX | SWITCH CONTROL 230V RUBIMIX-16 ERGOMAX |
| 41 | 24385 | 1 | CONDENSADOR RUBIMIX-16 ERGOMAX | CAPACITOR RUBIMIX-16 ERGOMAX | CAPACITOR RUBIMIX-16 ERGOMAX | CAPACITOR RUBIMIX-16 ERGOMAX |
| 42 | 24386 | 1 | MUELLE CABLE RUBIMIX-16 ERGOMAX | SPRING WIRE RUBIMIX-16 ERGOMAX | SPRING WIRE RUBIMIX-16 ERGOMAX | SPRING WIRE RUBIMIX-16 ERGOMAX |
| 43 | 24387 | 1 | FUNDA CABLE PEQUEÑA RUBIMIX-16 ERGOMAX | SMALL CORD SHEATH RUBIMIX-16 ERGOMAX | SMALL CORD SHEATH RUBIMIX-16 ERGOMAX | SMALL CORD SHEATH RUBIMIX-16 ERGOMAX |
| 44 | 24388 | 1 | TAPA VENTILACION RMI-16 ERGOMAX POS.44 | WIND COVER RUBIMIX-16 ERGOMAX POS.44 | WIND COVER RUBIMIX-16 ERGOMAX POS.44 | WIND COVER RUBIMIX-16 ERGOMAX POS.44 |
| 45 | 24389 | 3 | TORN M4X6 | SCREW M4X6 | SCREW M4X6 | SCREW M4X6 |
| 46 | 24390 | 1 | TAPA MOTOR RUBIMIX-16 ERGOMAX | MOTOR COVER RUBIMIX-16 ERGOMAX | MOTOR COVER RUBIMIX-16 ERGOMAX | MOTOR COVER RUBIMIX-16 ERGOMAX |
| 47 | 24391 | 2 | VARILLA ACEITE RUBIMIX-16 ERGOMAX | OIL BAR RUBIMIX-16 ERGOMAX | OIL BAR RUBIMIX-16 ERGOMAX | OIL BAR RUBIMIX-16 ERGOMAX |
| 48 | 24392 | 1 | ARAND TAPA ACEITE RUBIMIX-16 ERGOMAX | OIL COVER WASHER RUBIMIX-16 ERGOMAX | OIL COVER WASHER RUBIMIX-16 ERGOMAX | OIL COVER WASHER RUBIMIX-16 ERGOMAX |
| 49 | 24393 | 1 | TAPA ACEITE RUBIMIX-16 ERGOMAX | OIL COVER RUBIMIX-16 ERGOMAX | OIL COVER RUBIMIX-16 ERGOMAX | OIL COVER RUBIMIX-16 ERGOMAX |
| 50 | 24394 | 4 | ARAND 3 RUBIMIX-16 ERGOMAX | WASHER FLAT 3.0 RUBIMIX-16 ERGOMAX | WASHER FLAT 3.0 RUBIMIX-16 ERGOMAX | WASHER FLAT 3.0 RUBIMIX-16 ERGOMAX |
| 51 | 24395 | 4 | ARAND GROWER 3 RUBIMIX-16 ERGOMAX | SPRING WASHER 3.0 RUBIMIX-16 ERGOMAX | SPRING WASHER 3.0 RUBIMIX-16 ERGOMAX | SPRING WASHER 3.0 RUBIMIX-16 ERGOMAX |
| 52 | 19466 | 4 | TORN M3X10 | SCREW M3X10 | SCREW M3X10 | SCREW M3X10 |

Queda reservado el derecho de introducir cualquier modificacion técnica sin previo aviso
We reserve the right to introduce any technical modification without previous notice

Wir behalten uns das Recht vor, jede notwendige technische Änderung ohne
vorherige Ankündigung an unseren Produkten vorzunehmen.
Il est réservé le droit à introduire une modification technique sans préavis.

RUBIMIX-16 ERGOMAX



Ref.explod 1000000709 03 07/10/2016 Product. 24994, 24995, 24996, 24997, 24998, 24999

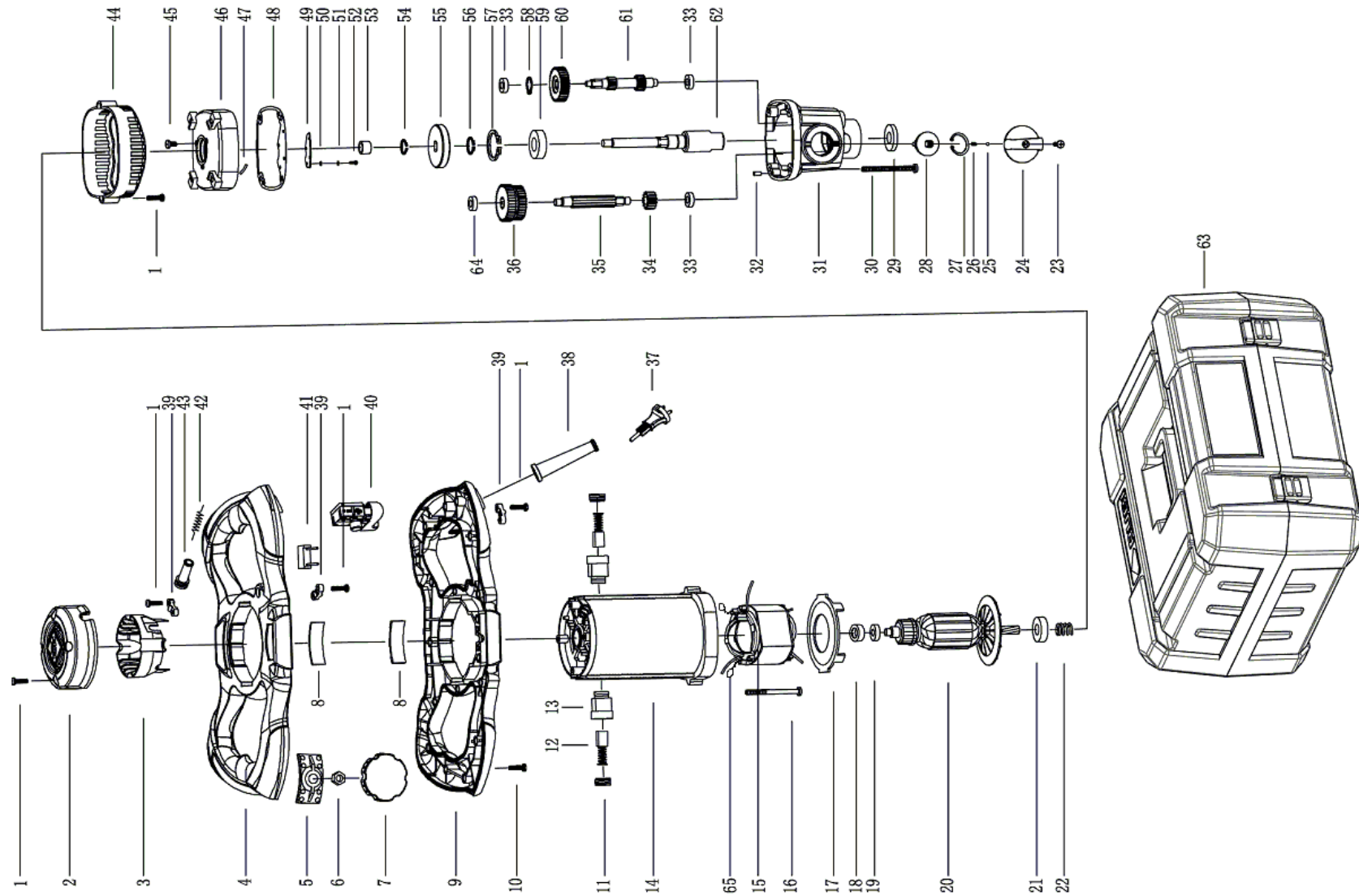
| | | | | | | |
|----|-------|---|--|--------------------------------------|--------------------------------------|--------------------------------------|
| 53 | 24397 | 1 | RODAMIENTO HK1010 RUBIMIX-16 ERGOMAX | BEARING HK1010 RUBIMIX-16 ERGOMAX | BEARING HK1010 RUBIMIX-16 ERGOMAX | BEARING HK1010 RUBIMIX-16 ERGOMAX |
| 54 | 19487 | 1 | ANILLO ELASTICO 15MM | CIRCLIP 15MM | CIRCLIP 15MM | CIRCLIP 15MM |
| 55 | 24399 | 1 | ENGRANAJE GRANDE RUBIMIX-16 ERGOMAX | BIG GEAR RUBIMIX-16 ERGOMAX | BIG GEAR RUBIMIX-16 ERGOMAX | BIG GEAR RUBIMIX-16 ERGOMAX |
| 56 | 19489 | 1 | ANILLO ELASTICO 17MM | CIRCLIP 17MM | CIRCLIP 17MM | CIRCLIP 17MM |
| 57 | 19490 | 1 | ANILLO ELASTICO 35MM | CIRCLIP 35MM | CIRCLIP 35MM | CIRCLIP 35MM |
| 58 | 19491 | 1 | ANILLO ELASTICO 10MM | CIRCLIP 10MM | CIRCLIP 10MM | CIRCLIP 10MM |
| 59 | 24403 | 1 | RODAMIENTO 6003 RUBIMIX-16 ERGOMAX | BEARING 6003 RUBIMIX-16 ERGOMAX | BEARING 6003 RUBIMIX-16 ERGOMAX | BEARING 6003 RUBIMIX-16 ERGOMAX |
| 60 | 24404 | 1 | ENGRANAJE TRANSM.CL.I RMIX-16 ERGOMAX | DRIVEN GEAR CL.I RMIX-16 ERGOMAX | DRIVEN GEAR CL.I RMIX-16 ERGOMAX | DRIVEN GEAR CL.I RMIX-16 ERGOMAX |
| 61 | 24405 | 1 | EJE ENGRANAJE CL.II RMIX-16 ERGOMAX | GEAR SHAFT CL.II RMIX-16 ERGOMAX | GEAR SHAFT CL.II RMIX-16 ERGOMAX | GEAR SHAFT CL.II RMIX-16 ERGOMAX |
| 62 | 24406 | 1 | PASADOR RUBIMIX-16 ERGOMAX | SPINDLE RUBIMIX-16 ERGOMAX | SPINDLE RUBIMIX-16 ERGOMAX | SPINDLE RUBIMIX-16 ERGOMAX |
| 63 | 25702 | 1 | MALETA RMIX-16 ERGOMAX | CASE RMIX-16 ERGOMAX | CASE RMIX-16 ERGOMAX | CASE RMIX-16 ERGOMAX |
| 64 | 25603 | 1 | RODAMIENTO 688-Z 8X16X5 | BEARING 688-Z 8X16X5 | KUGELLAGER 688-Z 8X16X5 | BEARING 688-Z 8X16X5 |
| 65 | 24562 | 2 | CONEXION ESTATOR-ESCOB.RMIX-16 ERGOMAX | STATOR-BRUSH CONNECT.RMIX-16 ERGOMAX | STATOR-BRUSH CONNECT.RMIX-16 ERGOMAX | STATOR-BRUSH CONNECT.RMIX-16 ERGOMAX |

RUBIMIX-16 ERGOMAX

Ref.explod 100000709 03

07/10/2016

Product. 24994, 24995, 24996, 24997, 24998, 24999



Queda reservado el derecho de introducir cualquier modificación técnica sin previo aviso
We reserve the right to introduce any technical modification without previous notice

Wir behalten uns das Recht vor, jede notwendige technische Änderung ohne vorherige Ankündigung an unseren Produkten vorzunehmen.
Il est réservé le droit à introduire une modification technique sans préavis.