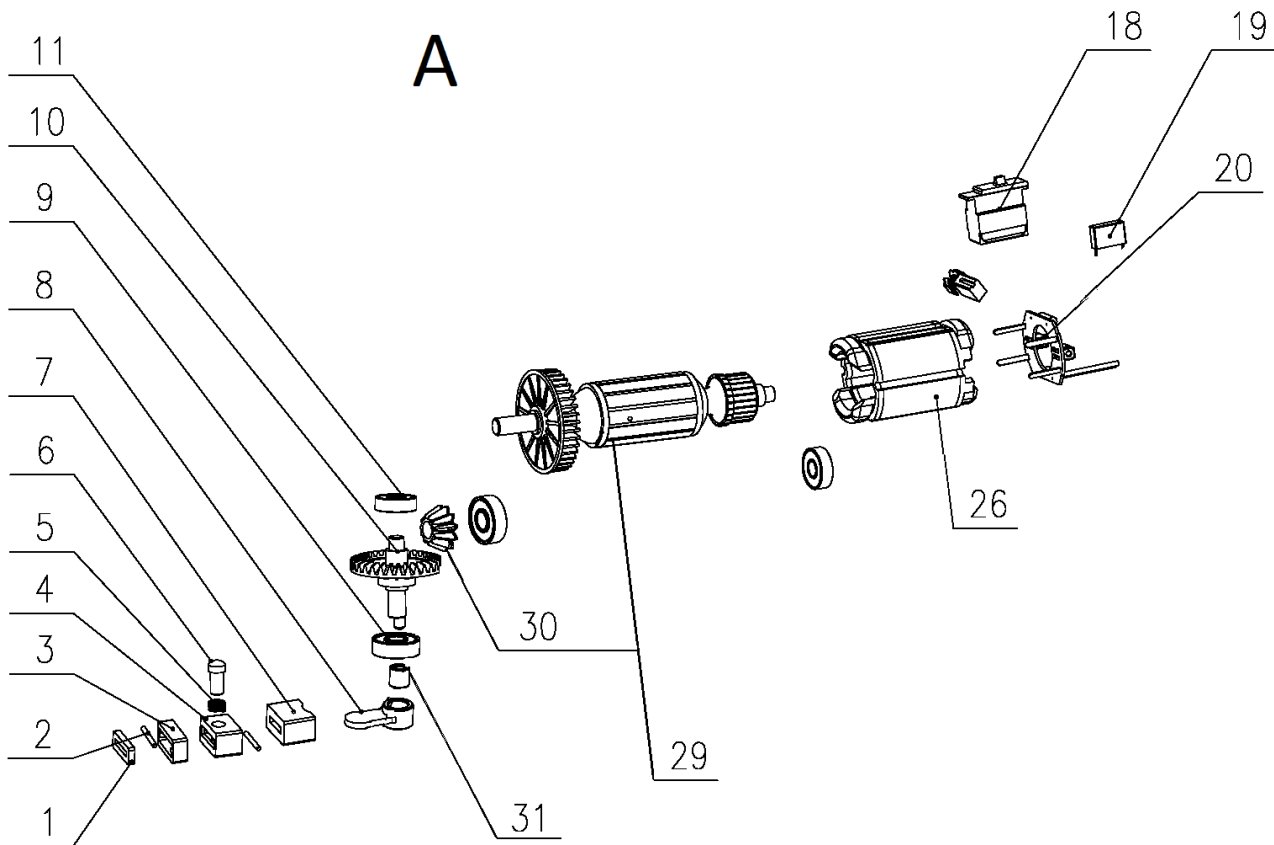


Part-list	ES	EN	Prod.
1	A	GRUPO A	GROUP A
2	B	GRUPO B	GROUP B

Prod.	ES	EN	From serial num.
66940	RUBISCRAPER-250 230V 50HZ	RUBISCRAPER-250 230V 50HZ	-
66941	RUBISCRAPER-250 230V 50HZ UK	RUBISCRAPER-250 230V 50HZ UK	-
66942	RUBISCRAPER-250 120V 60HZ USA	RUBISCRAPER-250 120V 60HZ USA	-

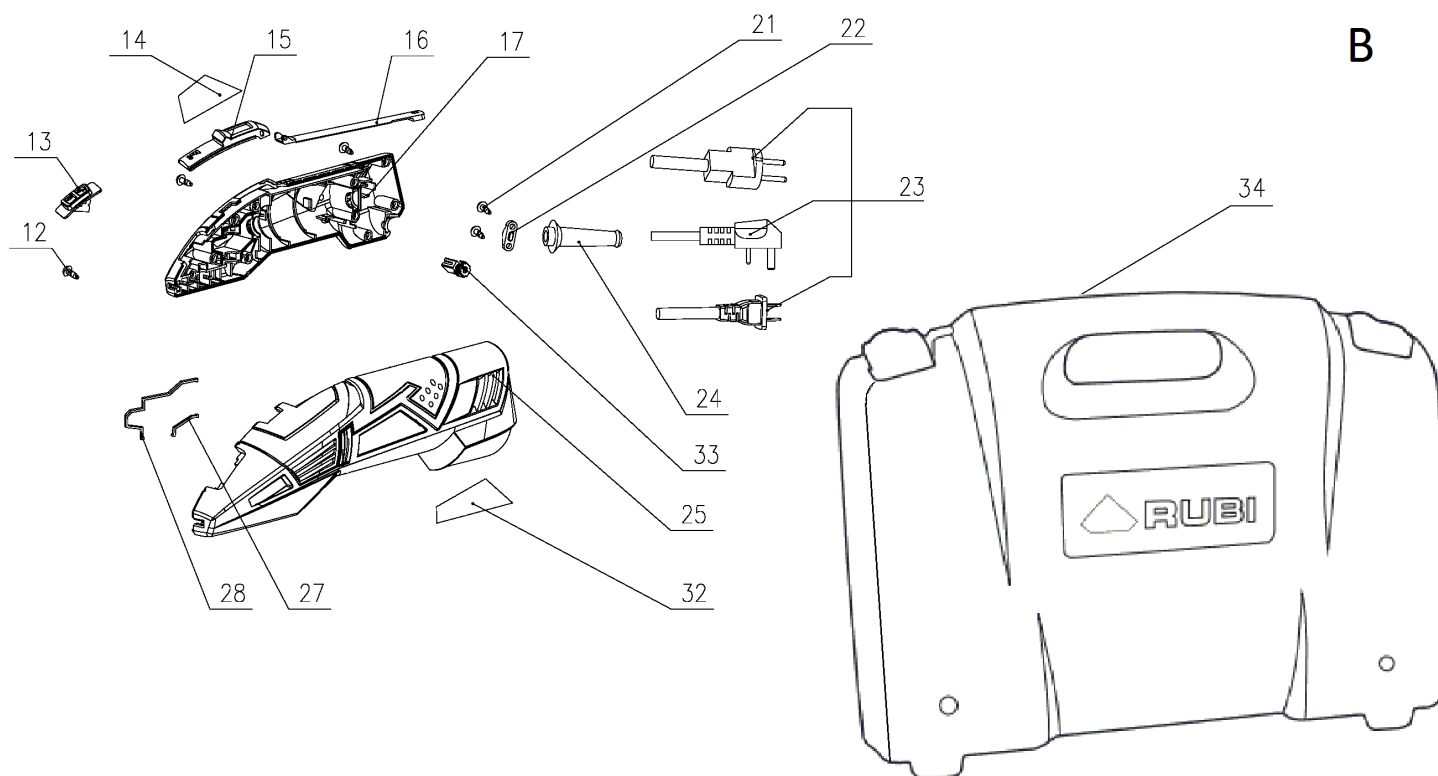
Queda reservado el derecho de introducir cualquier modificacion técnica sin previo aviso

We reserve the right to introduce any technical modification without previous notice



Part-list	ES	EN	Prod.
1	66149 1	JUNTA SELLADO GOMA RUBISCRAPER	SEAL RUBBER BLOCK RUBISCRAPER
2	66150 2	PASADOR Ø2X17,5 RUBISCRAPER	NEEDLE Ø2X17,5 RUBISCRAPER
3	66160 1	SOPORTE PASADOR Ø2X17,5 RUBISCRAPER	NEEDLE Ø2X17,5 HOLDER RUBISCRAPER
4	66161 1	SOPORTE POSTERIOR PASADOR RUBISCRAPER	AFTER THE NEEDLE RUBISCRAPER
5	66162 1	MUELLE BLOQUEO PASADOR RUBISCRAPER	LOCK PIN SPRING RUBISCRAPER
6	66163 1	PASADOR BLOQUEO RUBISCRAPER	LOCK PIN RUBISCRAPER
7	66164 1	PLACA EMPUJE CUCHILLA RUBISCRAPER	PUSH KNIFE PLATE RUBISCRAPER
8	66165 1	ADAPTADOR EMPUJE CUCHILLA RUBISCRAPER	PUSH KNIFE ADAPTER RUBISCRAPER
9	66166 2	RODAMIENTO 608 ZZ RUBISCRAPER	BEARING 608 ZZ RUBISCRAPER
10	66167 1	ENGRANAJE MAYOR BISELADO RUBISCRAPER	LARGE BEVEL GEAR RUBISCRAPER
11	66168 2	RODAMIENTO 607 ZZ RUBISCRAPER	BEARING 607 ZZ RUBISCRAPER
18	66175 1	INTERRUPTOR TERCIARIO RUBISCRAPER	THIRD SWITCH RUBISCRAPER
19	66176 1	CONDENSADOR RUBISCRAPER	CAPACITANCE RUBISCRAPER
20	66177 1	PLACA ELECTRONICA EUR Y UK RUBISCRAPER	CIRCUIT BOARD VDE & BS RUBISCRAPER
20	66178 1	PLACA ELECTRONICA UL RUBISCRAPER	CIRCUIT BOARD UL RUBISCRAPER
26	66187 1	ESTATOR 120V RUBISCRAPER	STATOR UL RUBISCRAPER
26	66186 1	ESTATOR 230V RUBISCRAPER	STATOR VDE & BS RUBISCRAPER
29	66235 1	CJ.ROTOR 120V RUBISCRAPER C/ENGRANAJE	ROTOR 120V RUBISCRAPER W/GEAR
29	66234 1	CJ.ROTOR 230V RUBISCRAPER C/ENGRANAJE	ROTOR 230V RUBISCRAPER W/GEAR
30	66192 1	ENGRANAJE MENOR Ø INT.8 RUBISCRAPER V1	SMALL BEVEL GEAR Ø INT.8 RUBISCRAPER V1
30	66236 1	ENGRANAJE MENOR Ø INT.6 RUBISCRAPER V2	SMALL BEVEL GEAR Ø INT.6 RUBISCRAPER V2
31	66193 1	RODAMIENTO AGUJAS HK0509	NEEDLE HK0509

B



Part-list	ES	EN	Prod.
12	66169 10	TORN ST3,5X16 F AUTOROSCANTE	SELF TAPPING SCREW ST3.5X16 F
13	66170 1	PLACA DE CIERRE RUBISCRAPER	LOCK PLATE RUBISCRAPER
14	66171 1	PLACA CARACT.RUBISCRAPER	NAME PLATE RUBISCRAPER
15	66172 1	PLACA INTERRUPTOR RUBISCRAPER	SWITCH PLATE RUBISCRAPER
16	66173 1	INTERRUPTOR DESLIZANTE RUBISCRAPER	SLIDE SWITCH RUBISCRAPER
17	66174 1	CARCASA DERECHA RUBISCRAPER	RIGHT HOUSING RUBISCRAPER
21	66179 2	TORN ST3,5X13 F AUTOROSCANTE	SELF TAPPING SCREW ST3.5X13 F
22	66180 1	BLOQUEO RUBISCRAPER	LINE BLOCK RUBISCRAPER
23	66183 1	ENCHUFE CABLE RUBISCRAPER USA	CABLE & PLUG RUBISCRAPER UL
23	66182 1	ENCHUFE CABLE RUBISCRAPER UK	CABLE & PLUG RUBISCRAPER BS
23	66181 1	ENCHUFE CABLE RUBISCRAPER EUR	CABLE & PLUG RUBISCRAPER EUR
24	66184 1	PROTECTOR CABLE RUBISCRAPER	PROTECT CABLE SLEEVE RUBISCRAPER
25	66185 1	CARCASA IZQUIERDA RUBISCRAPER	LEFT HOUSING RUBISCRAPER
27	66188 1	JUNTA CORTA SELLADO RUBISCRAPER	SHORT SEAL RUBISCRAPER
28	66189 1	JUNTA LARGA SELLADO RUBISCRAPER	LONG SEAL RUBISCRAPER
32	66194 1	ETIQ.RUBISCRAPER POS.32	LABEL RUBISCRAPER
33	66195 2	ESCOBILLAS RUBISCRAPER	CARBON BRUSHES RUBISCRAPER
34	66240 1	MALETA RUBISCRAPER	RUBISCRAPER CASE