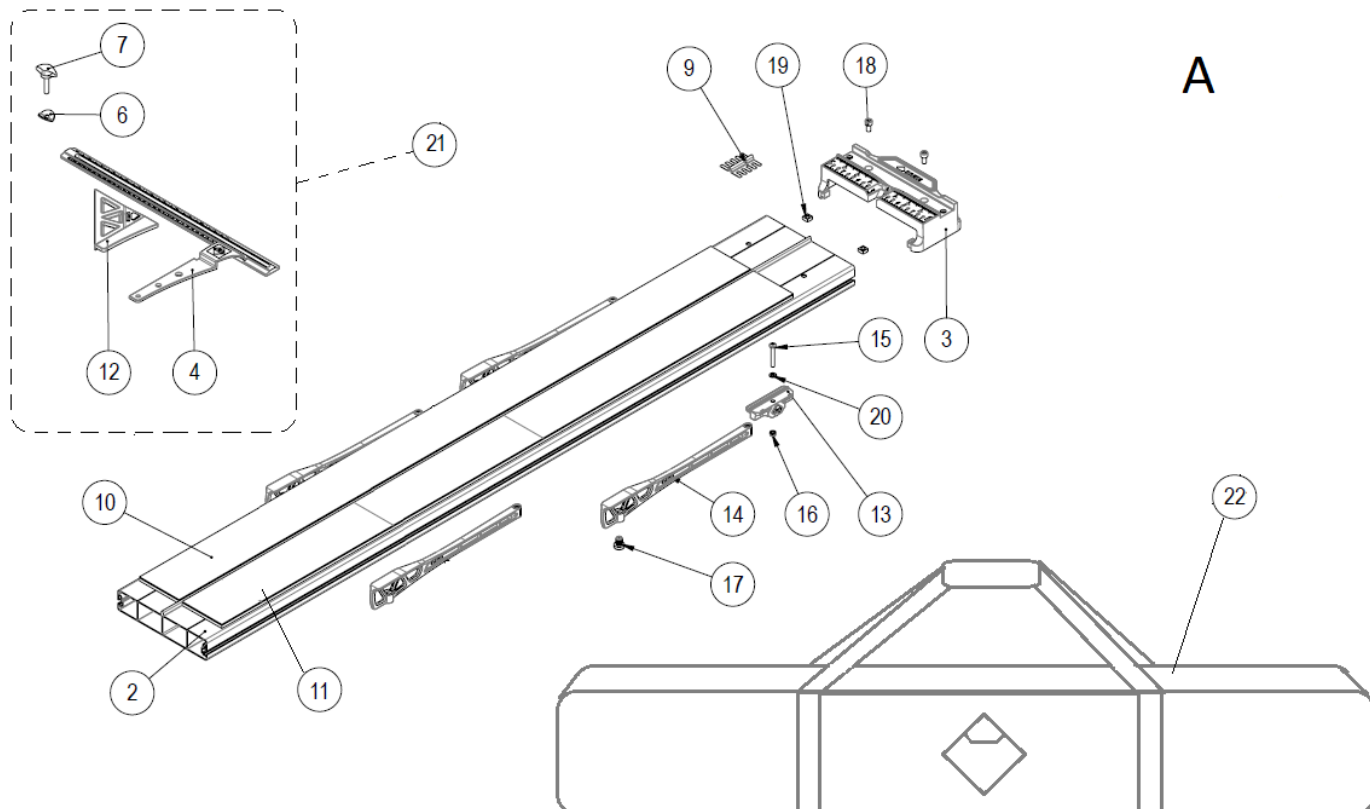


Part-list	ES	EN	Prod.
1	A	GRUPO BASE	BASE GROUP
2	B	GRUPO GUIAS	GUIDES GROUP
3	C	GRUPO PORTAHERRAMIENTAS	TOOLHOLDER GROUP

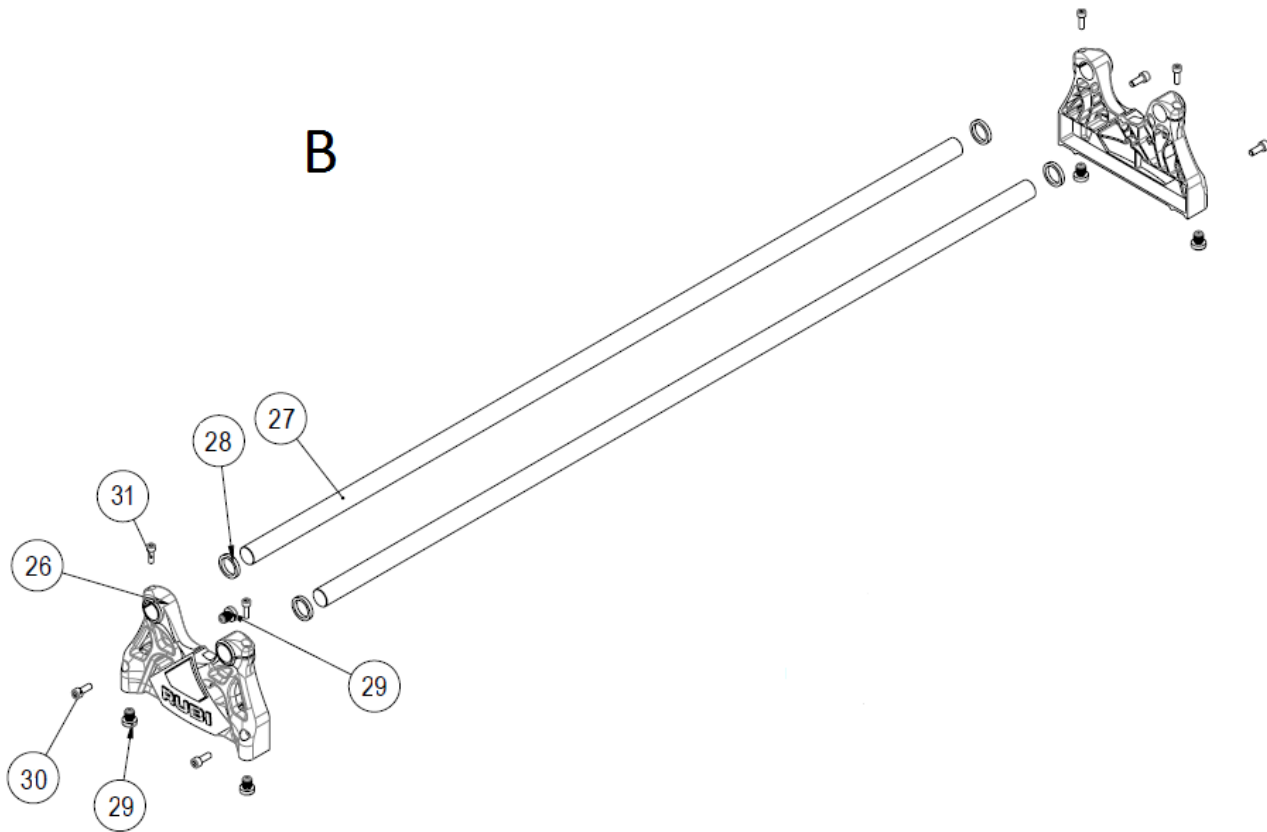
Prod.	ES	EN	From serial num.
26961	HIT-1200 N -CORT.MAN.	HIT-1200 N WO/BAG	HT000101
26962	HIT-1200 N C/BOLSA -CORT.MAN.	HIT-1200 N W/BAG	HT000101

Queda reservado el derecho de introducir cualquier modificacion técnica sin previo aviso

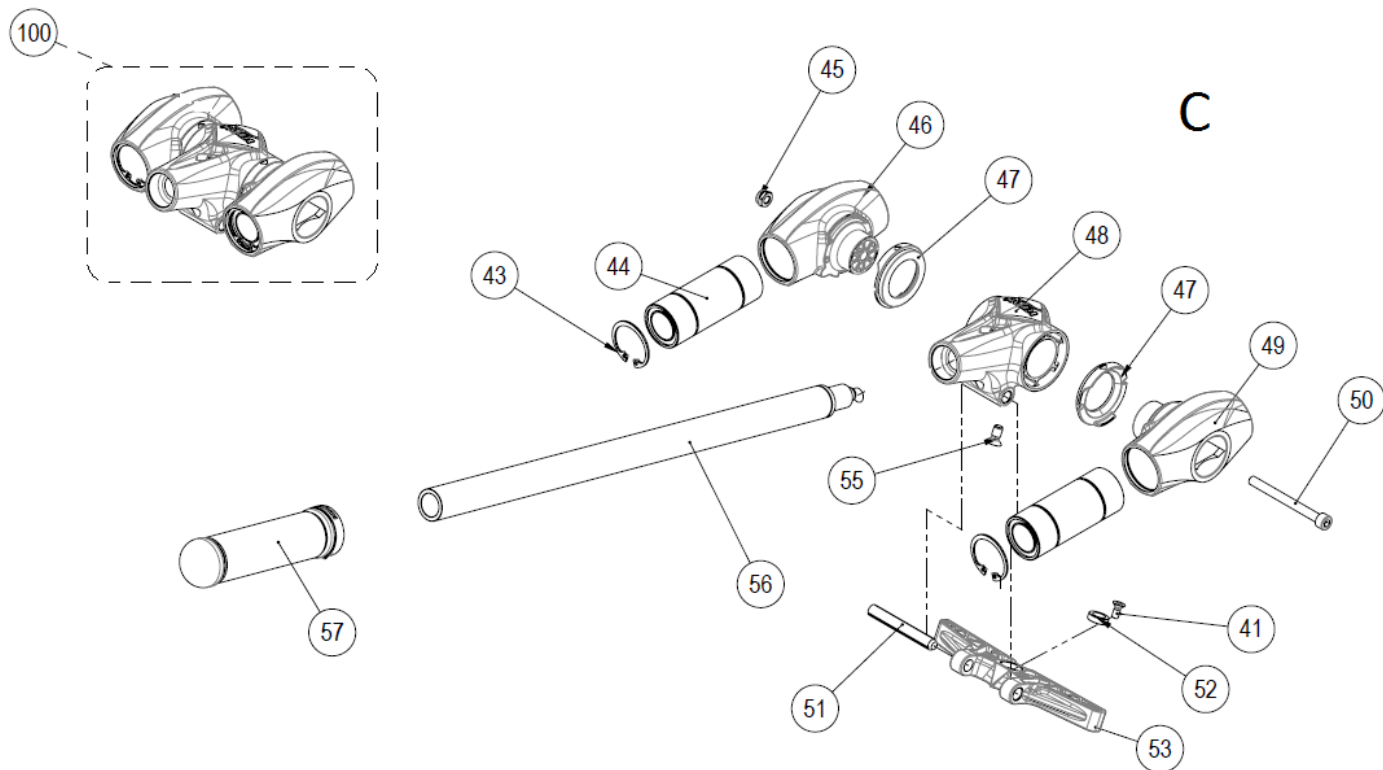
We reserve the right to introduce any technical modification without previous notice



Part-list	ES	EN	Prod.	
2	14228 1	BASE 120X35X1374	BASE 120X35X1374	
3	14128 1	ESCUADRA TIGER-185	SQUARE TIGER-185	
4	13161 1	TOPE LATERAL ALUMINIO SPEED-62	LATERAL STOP ALUMIN.SPEED-62/72/92	
6	14169 1	ARAND DIN 9021 60° A8,4 ZN	WASHER DIN 9021 60° A8,4 ZP	
7	14373 1	POMO T M6X30	KNOB T M6X30	
9	14136 2	REFUERZO COSTILLA TIGER	RIB REINFORCEMENT TIGER	
10	14227 1	GOMA 80X1200	RUBBER 80X1200	
11	14229 1	GOMA 80X1200 CON LOGO RUBI	RUBBER 80X1200 CON LOGO RUBI	
12	13436 1	SUPLEMENTO 45° V2	45° SUPPLEMENT V2	
13	14204 4	PATIN PATA APOYO TIGER-185	LATERAL ARM SLIDER TIGER-185	
14	13443 4	PATA DE APOYO SPEED-72/92 V2 NEUTRO	LATERAL ARM SPEED-72/92 V2 WO/LOGO	
15	19182 4	TORN DIN 7985 M5X35 6.8 ZN	SCREW DIN 7985 M5X35 6.8 ZP	
16	40045 4	TUERCA DIN 985 M5 CL8 ZN AUTOBLOC	HEX LOCK NUT DIN 985 M5 CL8 ZP	
17	17718 4	CONTERA GOMA ESF.Ø 15X17	RUBBER BUMPER Ø15X17	
18	61258 2	TORN DIN 912 M6X12 6.8 ZN	SCREW DIN 912 M6X12 6.8 ZP	
19	56124 2	TUERCA DIN 557 M6 CUADRADA CL8 ZN	SQUARE NUT DIN 557 M6 CL8 ZP	
20	56035 4	ARAND DIN 125 A5,3 ZN	WASHER DIN125 A5,3 ZP	
21	18825 1	TOPE LATERAL X-ONE	LATERAL STOP X-ONE	
22	19769 0	BOLSA DE TRANSPORTE CORTADORA RUBI 120CM	CARRY BAG RUBI MANUAL CUTTER 120CM	26961
22	19769 1	BOLSA DE TRANSPORTE CORTADORA RUBI 120CM	CARRY BAG RUBI MANUAL CUTTER 120CM	26962



Part-list	ES	EN	Prod.
26	14133 2	SOPORTE GUIAS TIGER-185	GUIDE SUPPORT TIGER-185
27	14198 2	GUIA CORTADOR Ø20 L=1389	CHROMED GUIDE DIA.20X1389
28	19129 4	TOPE CORREDERA 20X26X4	RUBBER STOPPER 20X26X4
29	17718 5	CONTERA GOMA ESF.Ø 15X17	RUBBER BUMPER Ø15X17
30	45051 4	TORN DIN 912 M6X16 6.8 ZN	SCREW DIN 912 M6X16 6.8 ZP
31	55199 4	TORN DIN 912 M5X16 8.8 ZN	SCREW DIN 912 M5X16 8.8 ZP



Part-list	ES	EN	Prod.
41	14278 1	TORN GB 6561-86 M4X10 8.8 ZN	SCREW GB 6561-86 M4X10 8.8 ZP
43	61261 2	ANILLO DIN 472 Ø 32	RING DIN 472 DIA.32
44	14132 2	RODAMIENTO LINEAL LM20LUU ZN	LINER BEARING LM20LUU ZP
45	40020 1	TUERCA DIN 985 M6 CL8 ZN AUTOBLOC	HEX LOCK NUT DIN 985 M6 CL8 ZP
46	14129 1	CORREDERA IZQUIERDA TIGER-185	LEFT SLIDER TIGER-185
47	14005 2	DISTANCIADOR SPEED N POM	SPEED N SPACER POM
48	14003 1	PORTAHERRAM.SPEED MAGNET	TOOLHOLDER SPEED MAGNET
49	14103 1	CORREDERA DERECHA TIGER-185	RIGHT SLIDER TIGER-185
50	14127 1	TORN DIN 912 M6X65 8.8 ZN	SCREW DIN 912 M6X65 8.8 ZP
51	14330 1	PASADOR DIN 1475 D8X60 PVN	PIN DIN 1475 D8X60 BLACKENING TREATMENT
52	14118 1	IMAN Ø 4,5X14X4 F=32N	MAGNET Ø 4,5X14X4 F=32N
53	14004 1	PISADOR SPEED MAGNET	SPEED MAGNET BREAKING FEET
55	14119 1	TORN GB 6561 M6X12 8.8 ZN	SCREW GB 6561 M6X12 8.8 ZP
56	17706 1	PALANCA M16X1,5 L=400 CARRITO TZ	LEVER M16X1,5 L=400 TOOLHOLDER TZ
57	17751 1	MANGO RUBI Ø22	HANDLE RUBI Ø22
100	14830 1	CJ.SEPARADOR TIGER 185	SEPARATOR SET TIGER 185