

DU-200 EVO



Ref.explod 92088

01-01

17/07/2015

Product. 55903, 55905, 55906, 55907, 55938, 55939

Part-list	A	ES	EN	DE	FR	
1	19693	1	MOTOR 120V 60HZ 0,8KW SIN PLATOS	MOTOR 120V 60HZ 0,8KW WO/PLATES	MOTOR 120V 60HZ 0,8KW WO/PLATES	MOTOR 120V 60HZ 0,8KW WO/PLATES
1	19692	1	MOTOR 110V 50HZ 0,8KW SIN PLATOS	MOTOR 110V 50HZ 0,8KW WO/PLATES	MOTOR 110V 50HZ 0,8KW WO/PLATES	MOTOR 110V 50HZ 0,8KW WO/PLATES
1	19158	1	MOTOR 230V 50HZ 0,8KW SIN PLATOS	MOTOR 230V 50HZ 0,8KW WO/PLATES	MOTOR 230V 50HZ 0,8KW WO/PLATES	MOTOR 230V 50HZ 0,8KW WO/PLATES
1	19684	1	MOTOR 220V 60HZ 0,8KW SIN PLATOS	MOTOR 220V 60HZ 0,8KW WO/PLATES	MOTOR 220V 60HZ 0,8KW WO/PLATES	MOTOR 220V 60HZ 0,8KW WO/PLATES
2	19160	1	PLATO INTERIOR DYNAMIC-200 GSB	INNER PLATE DYNAMIC-200 DIY	INNER PLATE DYNAMIC-200 DIY	INNER PLATE DYNAMIC-200 DIY
3	19161	1	PLATO EXTERIOR DYNAMIC-200 GSB	OUTTER PLATE DYNAMIC-200 DIY	OUTTER PLATE DYNAMIC-200 DIY	OUTTER PLATE DYNAMIC-200 DIY
4	55463	1	SOPORTE MOTOR DU-200 EVO	SOPORTE MOTOR DU-200 EVO	SOPORTE MOTOR DU-200 EVO	SOPORTE MOTOR DU-200 EVO
5	19689	2	CJ.EJE CON RODAMIENTO DYNAMIC GSB	SHAFT WITH BEARING DYNAMIC DIY	SHAFT WITH BEARING DYNAMIC DIY	SHAFT WITH BEARING DYNAMIC DIY
6	19555	2	CJ.EJE EXC.CON RODAMIENTO DYNAMIC GSB	ECC.SHAFT WITH BEARING DYNAMIC DIY	ECC.SHAFT WITH BEARING DYNAMIC DIY	ECC.SHAFT WITH BEARING DYNAMIC DIY
7	25355	1	PROTECTOR INT.DISCO DU-200-BL	INTERNAL BLADE COVER PLASTIC DU-200-BL	INTERNAL BLADE COVER PLASTIC DU-200-BL	INTERNAL BLADE COVER PLASTIC DU-200-BL
8	56238	5	ARAND DIN 9021 A5,3 ZN	WASHER DIN 9021 A5,3 ZN	UNTERLEGSCHIEBE DIN 9021 A5,3 ZN	WASHER DIN 9021 A5,3 ZN
9	40020	4	TUERCA DIN 985 M6 8.8 ZN AUTOBLOC	NUT DIN 985 M6 ZN SELFLOCKER	SELBSTSCHLIEßENDE MUTTER DIN 985 M6 ZINK	TUERCA DIN 985 M6 ZN AUTOBLOC
10	19623	1	TORN DIN 912 M5X8 8.8 ZN	BOLT DIN 912 M5X8 8.8 ZN	BOLT DIN 912 M5X8 8.8 ZN	BOLT DIN 912 M5X8 8.8 ZN
11	19625	1	CLIP FIJACION CARRO DYNAMIC	RETAINING CLIP DYNAMIC CUTTING HEAD	RETAINING CLIP DYNAMIC CUTTING HEAD	RETAINING CLIP DYNAMIC CUTTING HEAD
12	45343	1	ARAND DIN 6798 A4,3X8	WASHER DIN 6798 A4,3X8	UNTERLEGSCHIEBE DIN 6798 A4,3X8	ARAND DIN 6798 A4,3X8
13	55482	1	TORN DIN 7981-F 3,9X9,5 ZN	SCREW DIN 7981-F 3,9X9,5 ZN	SCREW DIN 7981-F 3,9X9,5 ZN	SCREW DIN 7981-F 3,9X9,5 ZN
14	52095	1	BRIDA TUBO DIA.28 DX-250	TUBE FLANGE DIA.28 DX-250	ROHRFLANSCH Ø28 DX-250	BRIDA TUBO DIA.28 DX-250
15	55362	1	DISCO CPRN 200 MM(X)	DISK CPRN 200 MM(X)	DISK CPRN 200 MM(X)	DISK CPRN 200 MM(X)
16	55486	1	CJ.MANGO RESTYLING DU EVO	CJ.MANGO RESTYLING DU EVO	CJ.MANGO RESTYLING DU EVO	CJ.MANGO RESTYLING DU EVO
17	24232	4	TORN ISO 7380 M5X16 10.9 ZN	BOLT ISO 7380 M5X16 10.9 ZN	SCHRAUBE BOLT ISO-7380 M5x16 10.9 ZN	BOLT ISO 7380 M5X16 10.9 ZN
18	55481	1	PROTECTOR EXT.DISCO DU-200 EVO	INTERNAL BLADE COVER PLASTIC DU-200 EVO	INTERNAL BLADE COVER PLASTIC DU-200 EVO	INTERNAL BLADE COVER PLASTIC DU-200 EVO
19	61127	2	TORN DIN 912 M6X30 ZN	SCREW DIN 912 M6X30 ZN	SCHRAUBE DIN 912 M6X30 ZINK	SCREW DIN 912 M6X30 ZN
20	19566	1	GOMA TRASERA DISCO V2	SPLASH PROTECTION BLADE V2	SPLASH PROTECTION BLADE V2	SPLASH PROTECTION BLADE V2
21	57035	1	REMACHE DIN 7337-A DIA.5X12 AL/S	ALUMINIUM RIVET W/BORE 5X12	NIETE DIN 7337-A Ø5x15 AL&STAHL	REMACHE DIN 7337-A DIA.5X12 AL/S
22	56035	1	ARAND DIN 125 A5,3 ZN	WASHER DIN 125 A5,3 ZN	UNTERLEGSCHIEBE DIN 125 A5,3 ZN	ARAND DIN 125 A5,3 ZN
23	45051	2	TORN DIN 912 M6X16 ZN	SCREW DIN 912 M6X16 ZN	SCHRAUBE DIN 912 M6X16 ZN	TORN DIN 912 M6X16 ZN
24	56438	1	TUERCA DIN 936 M12 IZQ ZN	NUT DIN 936 M12 ESQ.ZN	MUTTER DIN 936 M12 LINKS 8.8 ZN	TUERCA DIN 936 M12 IZQ ZN

Queda reservado el derecho de introducir cualquier modificacion técnica sin previo aviso

We reserve the right to introduce any technical modification without previous notice

Wir behalten uns das Recht vor, jede notwendige technische Änderung ohne

vorherige Ankündigung an unseren Produkten vorzunehmen.

Il est réservé le droit à introduire une modification technique sans préavis.

DU-200 EVO

Ref.explod 92088

01-01

17/07/2015

Product. 55903, 55905, 55906, 55907, 55938, 55939



Part-list	B	ES	EN	DE	FR	
1	55708	1	CJ.CHASIS DU-200 EVO CON DECANTADOR	CHASIS DU-200 EVO W/WATER PLATE	CHASIS DU-200 EVO W/WATER PLATE	CHASIS DU-200 EVO W/WATER PLATE
2	19157	1	PATA TRASERA DYNAMIC-200 GSB	BACK LEG DYNAMIC-200 DIY	BACK LEG DYNAMIC-200 DIY	BACK LEG DYNAMIC-200 DIY
3	19156	1	PATA DELANTERA DYNAMIC-200 GSB	FRONT LEG DYNAMIC-200 DIY	FRONT LEG DYNAMIC-200 DIY	FRONT LEG DYNAMIC-200 DIY
4	19183	4	CONTERA REDONDEADA Ø25 H=8 E=1.5	DOMED ROUND INSERT Ø25 H=8 E=1.5	DOMED ROUND INSERT Ø25 H=8 E=1.5	DOMED ROUND INSERT Ø25 H=8 E=1.5
5	19154	4	ARAND CURVADA TUBO Ø24-26	SADDLE WASHER TUBE Ø24-26	SADDLE WASHER TUBE Ø24-26	SADDLE WASHER TUBE Ø24-26
6	19690	4	TUERCA DIN 6926 M8 6 ZN	NUT DIN 6926 M8 6 ZN	NUT DIN 6926 M8 6 ZN	NUT DIN 6926 M8 6 ZN
7	51410	4	TORN ISO 7380 AR M8X45 10.9 ZN	BOLT ISO 7380 WASHER M8X45 10.9 ZN	BOLT ISO 7380 WASHER M8X45 10.9 ZN	BOLT ISO 7380 WASHER M8X45 10.9 ZN
8	19598	2	TOPE PATAS DYNAMIC	LEG RETAINER DYNAMIC	LEG RETAINER DYNAMIC	LEG RETAINER DYNAMIC
9	55465	1	BRAZO POSTERIOR DU-200 EVO	BRAZO POSTERIOR DU-200 EVO	BRAZO POSTERIOR DU-200 EVO	BRAZO POSTERIOR DU-200 EVO
10	55464	1	BRAZO ANTERIOR DU-200 EVO	BRAZO ANTERIOR DU-200 EVO	BRAZO ANTERIOR DU-200 EVO	BRAZO ANTERIOR DU-200 EVO
11	19144	1	GUIA DYNAMIC-200 GSB L=895 MM	GUIDE DYNAMIC-200 DIY L=895 MM	GUIDE DYNAMIC-200 DIY L=895 MM	GUIDE DYNAMIC-200 DIY L=895 MM
12	55417	1	ABRAZADERA CABLEADO DC-250 NEGRA	CABLE CLAMP DC-250	ABRAZADERA CABLEADO DC-250 NEGRA	ABRAZADERA CABLEADO DC-250 NEGRA
13	19178	2	TORN DIN 6921 M6X12 ZN	SCREW DIN 6921 M6X12 ZN	SCREW DIN 6921 M6X12 ZN	SCREW DIN 6921 M6X12 ZN
14	55356	6	TORN REMFORM "FF81T" DIA.6X20 TX30	SCREW REMFORM "FF81T" DIA.6X20 TX30	SCHRAUBE REMFORM "FF81T" Ø6X20 TX30	SCREW REMFORM "FF81T" DIA.6X20 TX30
15	45343	2	ARAND DIN 6798 A4,3X8	WASHER DIN 6798 A4,3X8	UNTERLEGSCHIEBE DIN 6798 A4,3X8	ARAND DIN 6798 A4,3X8
16	55482	2	TORN DIN 7981-F 3,9X9,5 ZN	SCREW DIN 7981-F 3,9X9,5 ZN	SCREW DIN 7981-F 3,9X9,5 ZN	SCREW DIN 7981-F 3,9X9,5 ZN
17	54483	1	CABLE TIERRA BRAZO 100X2,5MM	GROUND WIRE ARM 100X2,5MM	ERDUNGSKABEL ARM 100X2,5MM	CABLE TIERRA BRAZO 100X2,5MM
18	45342	1	ASA PLASTICO	PLASTIC HANDLE	KUNSTSTOFFGRIFF	ASA PLASTICO
19	17722	2	SOPORTE RUEDA Ø76	SOPORTE RUEDA Ø76	SOPORTE RUEDA Ø76	SOPORTE RUEDA Ø76
20	40020	9	TUERCA DIN 985 M6 8.8 ZN AUTOBLOC	NUT DIN 985 M6 ZN SELFLOCKER	SELBSTSCHLIEßENDE MUTTER DIN 985 M6 ZINK	TUERCA DIN 985 M6 ZN AUTOBLOC
21	54597	2	TUERCA DIN 439 M8 ZN	NUT DIN 439 M8 ZN	MUTTER DIN 439 M8 ZN	NUT DIN 439 M8 ZN
22	47142	2	TORN DIN 7984 M8X16 ZN	SCREW DIN 7984 M8X16 ZN	TORN DIN 7984 M8X16 ZN	TORN DIN 7984 M8X16 ZN
23	19612	1	ARAND ELASTICA DIN 6798-A M5 PV	SERRATED LOCK WASHER DIN 6798-A M5 PV	SERRATED LOCK WASHER DIN 6798-A M5 PV	SERRATED LOCK WASHER DIN 6798-A M5 PV
24	19615	1	CABLE TIERRA 1000X1,5MM	GROUND WIRE 1000X1,5MM	GROUND WIRE 1000X1,5MM	GROUND WIRE 1000X1,5MM
25	52095	1	BRIDA TUBO DIA.28 DX-250	TUBE FLANGE DIA.28 DX-250	ROHRFLANSCH Ø28 DX-250	BRIDA TUBO DIA.28 DX-250
26	54301	1	TUBO FLEXIBLE NEGRO DIA 22 INT.	BLACK CABLE PIPE DIA 22 INT.	FLEXIBLES ROHR SCHWARZ INNENØ22	BLACK CABLE PIPE DIA 22 INT.
27	6206	1	PLACA CARACT.PARA REF:55903	PLACA CARACT.PARA REF:55903	PLACA CARACT.PARA REF:55903	PLACA CARACT.PARA REF:55903
28	55381	1	ETIQ.SEGURIDAD MAQ.ELECTRICA V2	LABEL SECURITY V2	SICHERHEITSAUFKLEBER ELEKTROMASCHINEV2	LABEL SECURITY V2
29	55466	1	ETIQ.CHASIS DU-200 EVO	ETIQ.CHASIS DU-200 EVO	ETIQ.CHASIS DU-200 EVO	ETIQ.CHASIS DU-200 EVO

Queda reservado el derecho de introducir cualquier modificacion técnica sin previo aviso

We reserve the right to introduce any technical modification without previous notice

Wir behalten uns das Recht vor, jede notwendige technische Änderung ohne vorherige Ankündigung an unseren Produkten vorzunehmen.
Il est réservé le droit à introduire une modification technique sans préavis.

Página 2 de 7

DU-200 EVO



Ref.explod 92088

01-01

17/07/2015

Product. 55903, 55905, 55906, 55907, 55938, 55939

30	54573	2	TORN DIN 603 M6X35 8.8 ZN CC2	SCREW DIN 603 M6X35 8.8 ZN CC2	SCREW DIN 603 M6X35 8.8 ZN CC2	SCREW DIN 603 M6X35 8.8 ZN CC2
31	55468	2	POMO M6 ROJO LARGO	POMO M6 ROJO LARGO	POMO M6 ROJO LARGO	POMO M6 ROJO LARGO
32	57485	2	TAPON POMO M6 ROJO	RED KNOB CAP M6	GRIFFSTOPFEN M6 ROT	TAPON POMO M6 ROJO
33	17721	2	RUEDA Ø76X24 SHORE A 82	WHEEL Ø76X24 SHORE A 82	WHEEL Ø76X24 SHORE A 82	WHEEL Ø76X24 SHORE A 82
34	55462	1	DEPOSITO AGUA DU-200 EVO	DEPOSITO AGUA DU-200 EVO	DEPOSITO AGUA DU-200 EVO	DEPOSITO AGUA DU-200 EVO
35	65448	1	CASQ 6,5X10X15 POM	CASQ 6,5X10X15 POM	CASQ 6,5X10X15 POM	CASQ 6,5X10X15 POM
36	12309	1	TORN DIN 912 M5X25 ZN	SCREW DIN 912 M5X25 ZN	SCHRAUBE DIN 912 M5X25 ZINK	SCREW DIN 912 M5X25 ZN
37	40045	1	TUERCA DIN 985 M5 ZN AUTOBLOC	NUT DIN 985 M5 ZN AUTOBLOC	SELBSTSCHLIEßENDE MUTTER DIN 985 M5 ZINK	TUERCA DIN 985 M5 ZN AUTOBLOC
38	25624	1	CJ.BOMBA AGUA 230V 50/60 B80 8W 1,75.ET.	PUMP 230V 50/60 B80 8W 1,75M WITH LABEL	PUMP 230V 50/60 B80 8W 1,75M WITH LABEL	PUMP 230V 50/60 B80 8W 1,75M WITH LABEL
38	25625	1	CJ.BOMBA AGUA 110V 50/60 B80 8W C/ETIQ.	PUMP 110V 50/60 B80 8W WITH LABEL	PUMP 110V 50/60 B80 8W WITH LABEL	PUMP 110V 50/60 B80 8W WITH LABEL
39	19720	1	TOPE DER.MESA DYNAMIC-200 MM GRABADO	TOPE DER.MESA DYNAMIC-200 MM GRABADO	TOPE DER.MESA DYNAMIC-200 MM GRABADO	TOPE DER.MESA DYNAMIC-200 MM GRABADO
40	19722	1	TOPE IZQ.MESA DYNAMIC-200 MM GRABADO	TOPE IZQ.MESA DYNAMIC-200 MM GRABADO	TOPE IZQ.MESA DYNAMIC-200 MM GRABADO	TOPE IZQ.MESA DYNAMIC-200 MM GRABADO
41	19685	1	ETIQ.PRECAUCION BOMBA B80 V2	LABEL WARNING PUMP B80 V2	LABEL WARNING PUMP B80 V2	LABEL WARNING PUMP B80 V2
42	55487	2	BULON RUEDA DU-200 EVO	BULON RUEDA DU-200 EVO	BULON RUEDA DU-200 EVO	BULON RUEDA DU-200 EVO
43	84007	2	CLIP CL 8	CLIP CL 8	CLIP CL 8	CLIP CL 8
44	19576	4	TORN M5X10 ZN TORX TRILOBULAR	BOLT M5X10 ZN TORX TRILOB.	BOLT M5X10 ZN TORX TRILOB.	BOLT M5X10 ZN TORX TRILOB.
45	56368	1	PVC CRISTAL DIA 6X10	PIPE PVC DIA 6X10 1.6 M	PVC CRISTAL DIA 6X10	PVC CRISTAL DIA 6X10
46	45051	1	TORN DIN 912 M6X16 ZN	SCREW DIN 912 M6X16 ZN	SCHRAUBE DIN 912 M6X16 ZN	TORN DIN 912 M6X16 ZN
47	25177	2	ARAND DIN 125 A6,5 ZN	WASHER DIN 125 A6,5 ZN	UNTERLEGSCHIEBE DIN 125 A6,5 ZN	ARAND DIN 125 A6,5 ZN
48	61069	4	TORN DIN 912 M6X10 ZN TRILOB.	SCREW DIN 912 M6X10 ZN TRILOB.	SCHRAUBE DIN 912 M6X10 ZINK TRILOB	TORN DIN 912 M6X10 ZN TRILOB.
49	54449	1	CINTA MM TOPE MESA DW-250-N/NL	LABEL TABLE TOP MM DW-250-N/NL	BAND MM ANSCHLAG TISCH DW-250-N/NL	LABEL TABLE TOP MM DW-250-N/NL

Part-list	C	ES	EN	DE	FR
1	25667	1	TOPE LATERAL DU-BL/DW-N V2	SIDER SUPPORT DU-BL/DW-N V2	SIDER SUPPORT DU-BL/DW-N V2
2	25337	1	GUIA TOPE 45 GRADOS DU-BL/DW-N	GUIDE STOPPER 45 DEGREE DU-BL/DW-N	GUIDE STOPPER 45 DEGREE DU-BL/DW-N
3	25338	1	POMO HEMBRA M6 NEGRO	KNOB FEMALE M6 BLACK	KNOB FEMALE M6 BLACK
4	25339	1	POMO M5X10 NEGRO	KNOB M5X10 BLACK	KNOB M5X10 BLACK
5	25335	1	PLANCHA LAT.33X7,5 M5 DU-BL/DW-N	SHEET SIDE 33X7,5 M5 DU-BL/DW-N	SHEET SIDE 33X7,5 M5 DU-BL/DW-N

Queda reservado el derecho de introducir cualquier modificacion técnica sin previo aviso

We reserve the right to introduce any technical modification without previous notice

Wir behalten uns das Recht vor, jede notwendige technische Änderung ohne

vorherige Ankündigung an unseren Produkten vorzunehmen.

Il est réservé le droit à introduire une modification technique sans préavis.

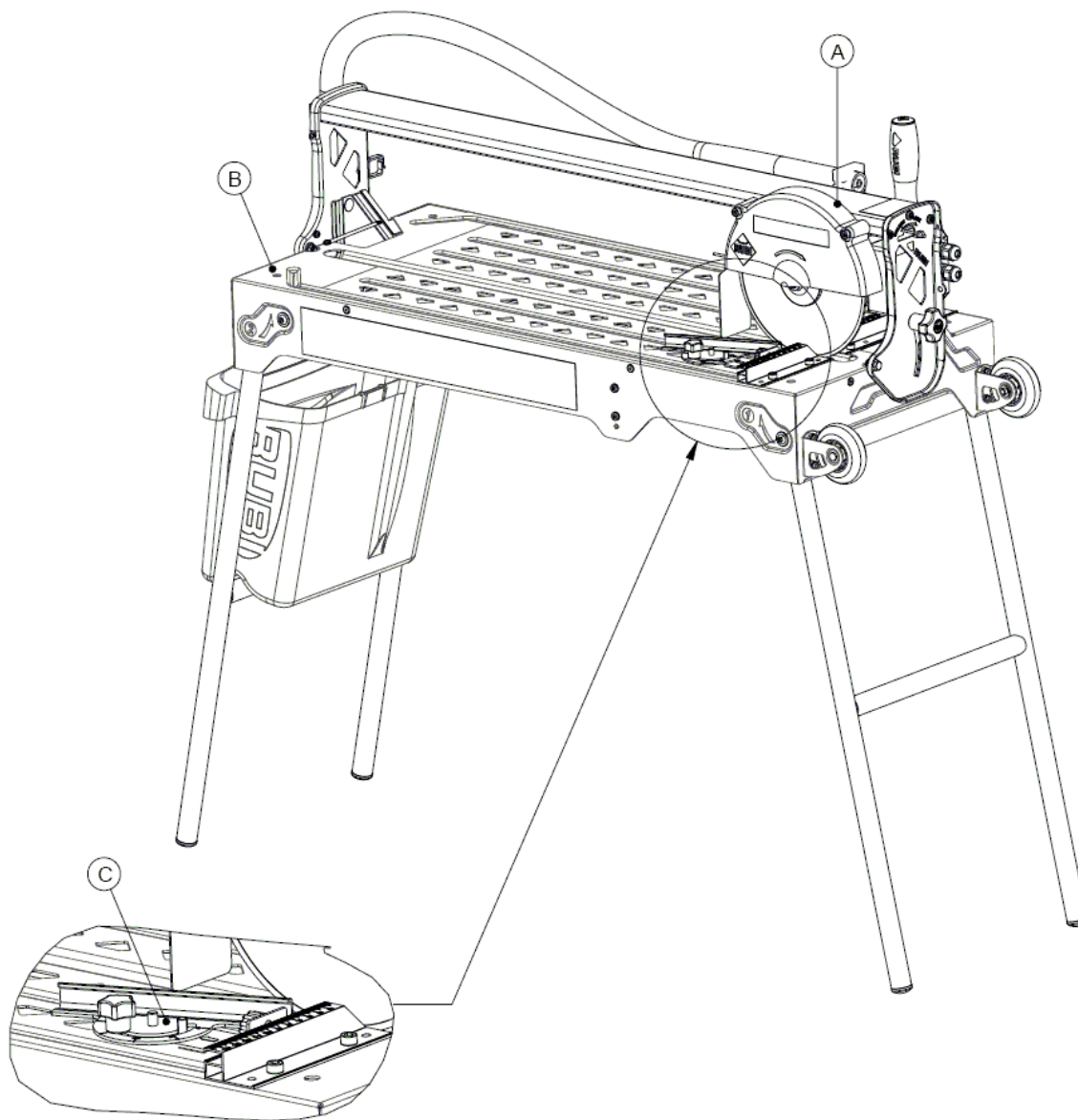
DU-200 EVO

Ref.explod 92088

01-01

17/07/2015

Product. 55903, 55905, 55906, 55907, 55938, 55939



Queda reservado el derecho de introducir cualquier modificación técnica sin previo aviso

We reserve the right to introduce any technical modification without previous notice

Wir behalten uns das Recht vor, jede notwendige technische Änderung ohne

vorherige Ankündigung an unseren Produkten vorzunehmen.

Il est réservé le droit à introduire une modification technique sans préavis.

DU-200 EVO

Ref.explod 92088

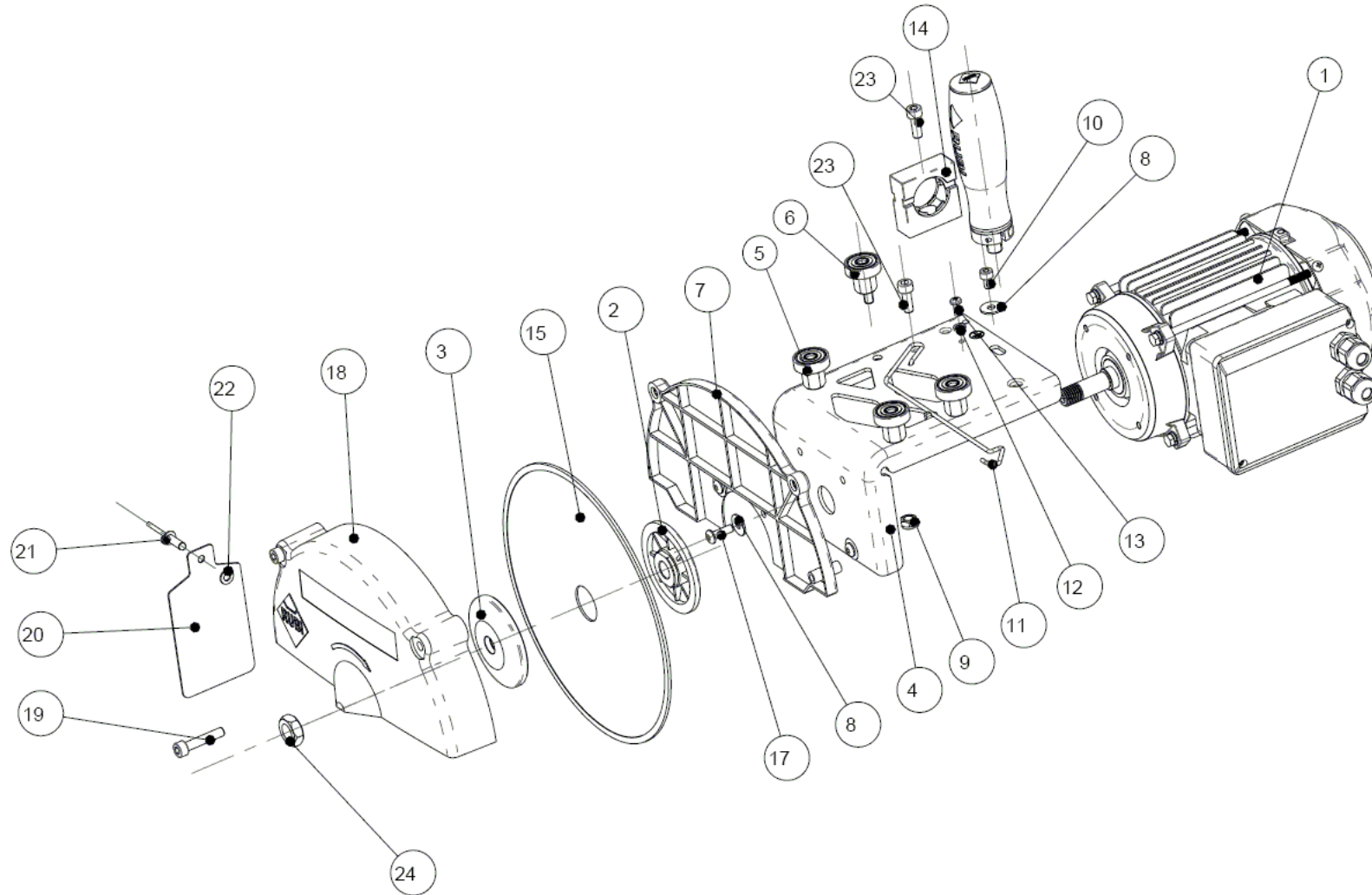
01-01

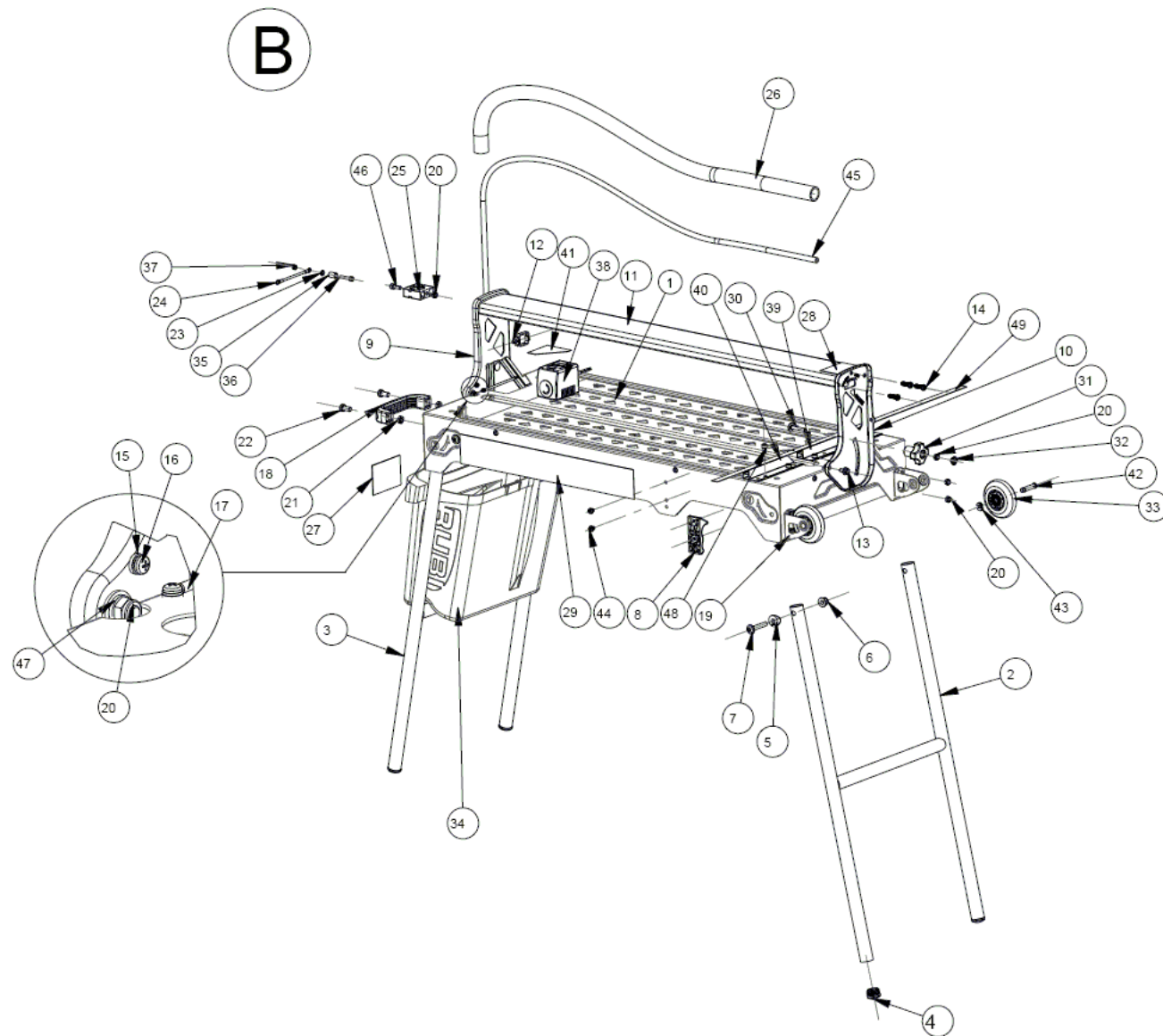
17/07/2015

Product. 55903, 55905, 55906, 55907, 55938, 55939



A





C

