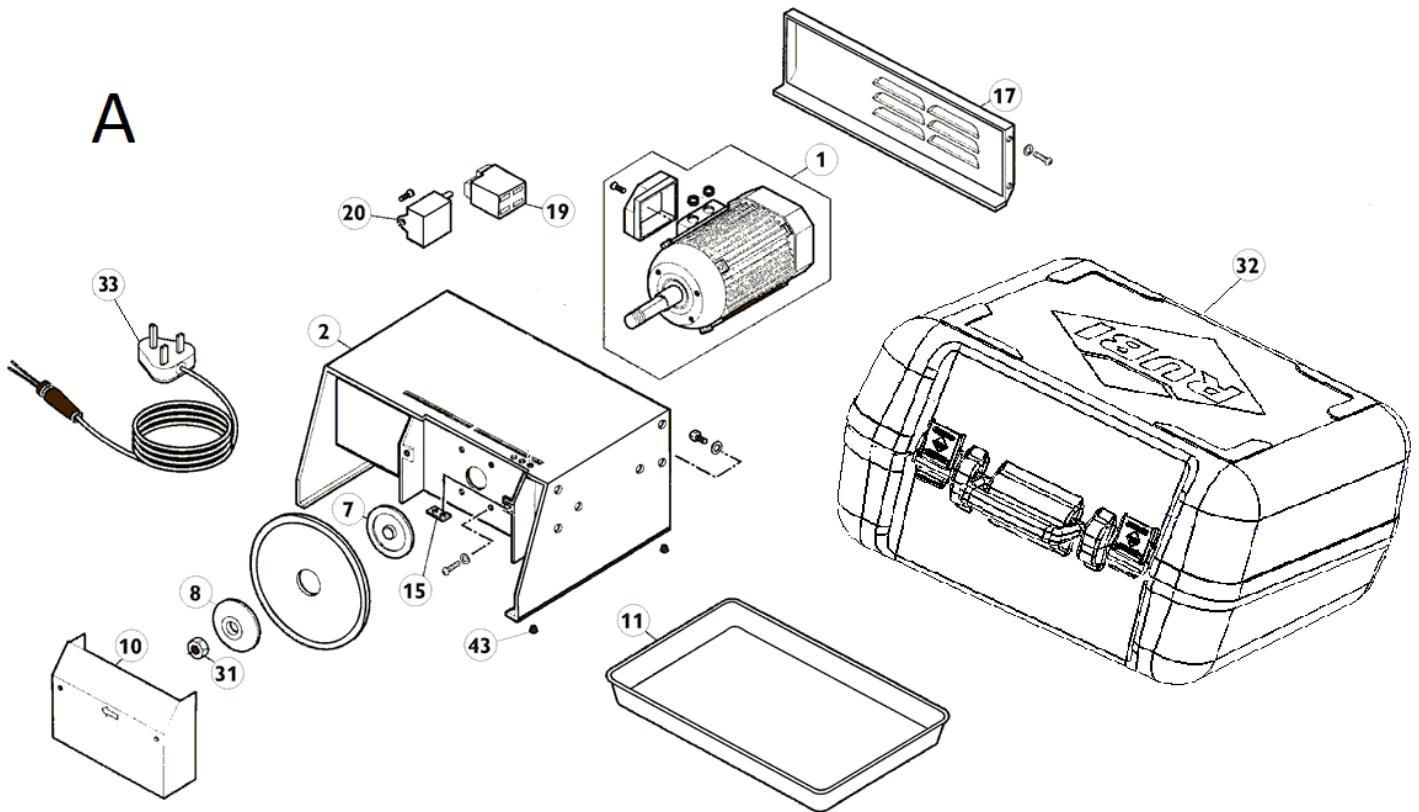


Part-list	ES	EN	Prod.
1	A	GRUPO CHASIS Y MOTOR	CHASSIS AND MOTOR GROUP
2	B	GRUPO MESA	TABLE GROUP

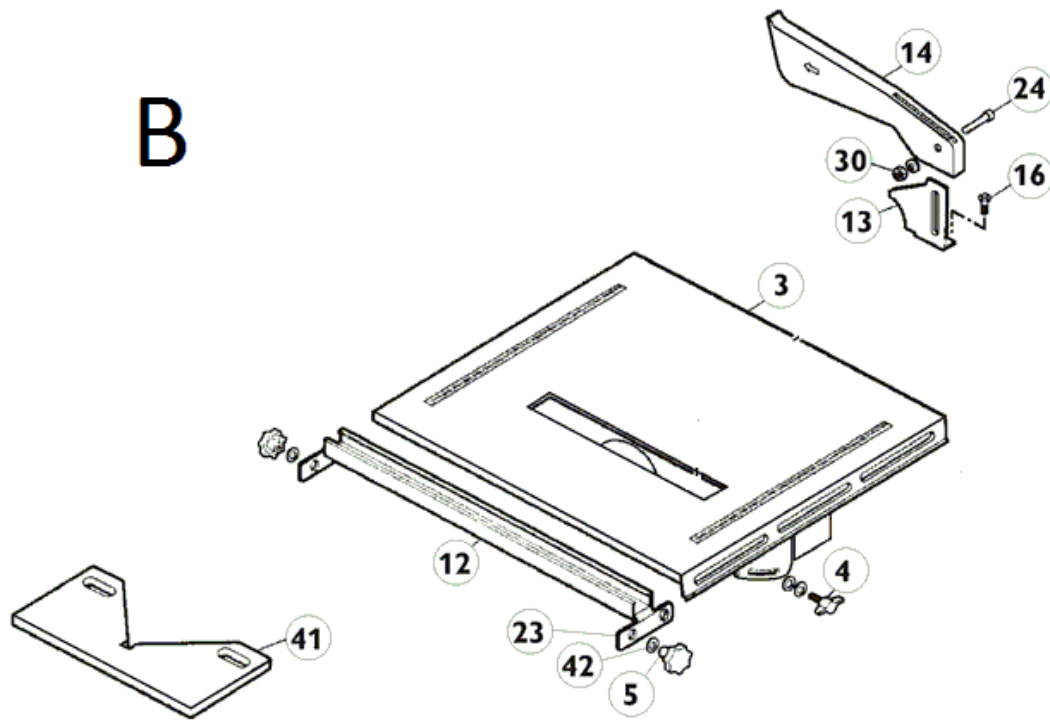
Prod.	ES	EN	From serial num.
24956	ND-180 230V 50HZ UK C/MALETA -CORT.ELEC	ND-180 230 V 50HZ UK W/CASE-EXTRA BLADE	-
25925	ND-180 230V 50HZ S/EST. -CORT.ELE	DIAMANT ND-180 230V 50HZ WITHOUT CASE	-
25926	ND-180 120V 60HZ S/EST. -CORT.ELEC	DIAMANT ND-180 120V 60HZ WITHOUT CASE	-
25927	ND-180 220V 60HZ S/EST. -CORT.ELEC	DIAMANT ND-180 220V 60HZ WITHOUT CASE	-
25945	ND-180 230V 50HZ CON MALETA -CORT.ELEC.	ND-180 230 V 50HZ W/CASE-EXTRA BLADE	-
25963	ND-180 120V 60HZ USA S/EST. -CORT.ELECT.	ND-180 120V 60HZ WITHOUT CASE USA	-

Queda reservado el derecho de introducir cualquier modificacion técnica sin previo aviso

We reserve the right to introduce any technical modification without previous notice



Part-list	ES	EN	Prod.	
1	3698 1	MOTOR 120V 60HZ ND-180-BL	MOTOR 120V 60HZ ND-180-BL	25926, 25963
1	3699 1	MOTOR 230V 60HZ ND-180-BL	MOTOR 230V 60HZ ND-180-BL	25927
1	3413 1	MOTOR 230V 50HZ ND-180-BL	MOTOR 230V 50HZ ND-180-BL	24956, 25925, 25945
2	3657 1	CHASIS ND-180-BL	CHASSIS ND-180-BL	
7	25706 1	PLATO INTERIOR ND-180 USA	INNER FLANGE ND-180 USA	25963
7	3411 1	PLATO INT.ND-180-BL	INNER FLANGE ND-180-BL	ND-180 NO USA
8	25705 1	PLATO EXTERIOR ND-180 USA	OUTER FLANGE ND-180 USA	25963
8	3412 1	PLATO EXT.ND-180-BL	OUTER FLANGE ND-180-BL	ND-180 NO USA
10	3597 1	TAPA DISCO ND-180-BL	DISK PROFILE ND-180-BL	
11	24183 1	CUBETA ND-180 SMART (THM)	WATER TANK ND-180 SMART (THM)	
15	3667 1	SOPORTE SABLE ND-180-BL	BLADE SUPPORT ND-180-BL	
19	40075 1	INTERRUPTOR ND-180-BL 120V 60HZ	SWITCH ND-180-BL 120V 60HZ	25926, 25963
19	3414 1	INTERRUPTOR ND-180-BL 230V 50HZ	SWITCH ND-180-BL 230V 50HZ	24956, 25925, 25945
19	40073 1	INTERRUPTOR ND-180-BL 230V 60HZ	SWITCH ND-180-BL 230V 60HZ	25927
20	3660 1	SOPORTE INTERRUP.ND-180-BL	SWITCH SUPPORT ND-180-BL	
31	3695 1	TUERCA EJE MOTOR ND-180-BL	MOTOR AXLE NUT MONT-180-BL	
32	25060 1	MALETA ND-180-BL	CASE ND-180-BL	24956, 25945
33	55479 1	ENCHUFE CABLE 3X1,5 2,8M 110V C/TERM.	CABLE PLUG 3X1,5 2,8M 110V	25926, 25963
33	55478 1	ENCHUFE CABLE 3X1 2,8M 230V UK C/TERM.	CABLE PLUG 3X1 2,8M 230V UK	24956
33	19174 1	ENCHUFE CABLE 3X1 2,8M EUR	CABLE PLUG 3X1 2,8M EUR	25925, 25927, 25945
43	3658 4	PIE DE GOMA ND-180-BL	RUBBER FOOT ND-180-BL	



Part-list	ES	EN	Prod.
3	3416 1	MESA ND-180-BL	TABLE ND-180-BL
5	3417 2	POMO GUIA SUP.ND-180-BL	KNOB OF TOP GUIDE.ND-180-BL
12	3598 1	TOPE LATERAL ND-180-BL	LATERAL STOP ND-180-BL
13	3557 1	SABLE ND-180-BL	BLADE ND-180-BL
14	25027 1	PROTECTOR DISCO ND-180-BL	BLADE PROTECTOR ND-180-BL
16	60039 2	TORN DIN 965 M4X8 6.8 ZN	SCREW DIN 7981 3,5X9,5 6.8 ZP
23	3642 2	FIJACION TOPE LAT.ND-180-BL	LATERAL TOP FIXATION ND-180-BL
24	3499 1	POMO PROTEC.DISCO ND-180-BL	KNOB OF BLADE COVER. ND-180-BL
30	40045 1	TUERCA DIN 985 M5 CL8 ZN AUTOBLOC	HEX LOCK NUT DIN 985 M5 CL8 ZP
41	3371 1	ACCESORIO 45° ND-180-BL	45 ACCESSORY
42	45038 2	ARAND DIN 9021 A6,4 ZN	WASHER DIN 9021 A6,4 ZP