

SLIM CUTTER



Ref.explod 100000720 05

23/12/2016

Product. 18911

Part-list	A	ES	EN	DE	FR
1	18186	1	ETIQ.LOGO PARA REF:18911	LOGO LABEL REF:18911	ETIQ.LOGO PARA REF:18911
2	18912	1	RODEL Ø 22 MM GOLD RODAMIENTO (SLIM)	SCORING WHEEL Ø 22 MM GOLD BEARING(SLIM)	ROULETTE RECHANGE SLIM CUTTER 22MM GOLD
3	18706	1	CJ.CHASIS CARRO SLIM CUTTER	CHASSIS HOLDER SET SLIM CUTTER	CJ.CHASIS CARRO SLIM CUTTER
4	18707	1	CJ.POMO SLIM CUTTER	KNOB SLIM CUTTER	CJ.POMO SLIM CUTTER
5	18708	1	CJ.RODAMIENTO EXCENTRICO SLIM CUTTER	ECCENTRIC BEARING SLIM CUTTER	CJ.RODAMIENTO EXCENTRICO SLIM CUTTER
6	18709	2	CJ.RODAMIENTO LATERAL SLIM CUTTER	LATERAL BEARING SLIM CUTTER	CJ.RODAMIENTO LATERAL SLIM CUTTER
7	18714	1	CJ.TORNILLO RULINA SLIM CUTTER	SCORING WHEEL SCREW SET SLIM CUTTER	CJ.TORNILLO RULINA SLIM CUTTER
8	57335	1	TUERCA DIN 6923 M8 CL8 ZN	NUT DIN 6923 M8 CL8 ZP	MUTTER DIN 6923 M8 8.8 ZN
18	18713	1	CJ.CABEZAL SLIM CUTTER	HEAD SET SLIM CUTTER	CJ.CABEZAL SLIM CUTTER
20	18717	1	RECAMBIO EJE RODEL Ø 22 MM SLIM CUTTER	RECAMBIO EJE RODEL Ø 22 MM SLIM CUTTER	RECAMBIO EJE RODEL Ø 22 MM SLIM CUTTER
21	45049	1	TUERCA DIN 934 M5 CL8 ZN	HEX NUT DIN 934 M5 CL8 ZP	MUTTER DIN 934 M5 ZINK
22	56035	1	ARAND DIN 125 A5,3 ZN	WASHER DIN 125 A5,3 ZN	UNTERLEGSCHIEBE DIN 125 A5,3 ZN
23	18395	1	EJE RULINA Ø 22 MM SLIM CUTTER	EJE RULINA Ø 22 MM SLIM CUTTER	EJE RULINA Ø 22 MM SLIM CUTTER
24	18914	1	RODEL Ø 22 MM (TP&SLIM)	SCORING WHEEL Ø 22 (TP&SLIM)	SCORING WHEEL Ø 22 (TP&SLIM)
25	15404	1	ARAND DIN 125 A4,3 6.8 ZN	WASHER DIN 125 A4,3 6.8 ZN	ARAND DIN 125 A4,3 ZN
26	45522	1	TUERCA DIN 934 M4 CL8 ZN	HEX NUT DIN 934 M4 CL8 ZP	MUTTER DIN 934 M4 ZINK

Part-list	B	ES	EN	DE	FR
9	18184	1	ETIQ.SLIM SYSTEM	LABEL SLIM SYSTEM	ETIQ.SLIM SYSTEM
10	18218	1	PERFIL SLIM CUTTER	PROFILE SLIM CUTTER	PROFILE SLIM CUTTER
11	18219	2	JUNTA TORICA Ø 2,5 BLANCA	O-RING Ø 2,5 WHITE	O-RING Ø 2,5 WHITE
12	18705	2	CJ.VENTOSA SLIM CUTTER	SUCTION PAD SET SLIM CUTTER	CJ.VENTOSA SLIM CUTTER
13	18913	2	SUPLEMENTO GUIA SLIM CUTTER 1100MM	SUPLEMENTO GUIDE SLIM CUTTER 1100MM	SUPLEMENTO GUIA SLIM CUTTER 1100MM
14	12278	2	POMO M6X15 ROJO	RED KNOB M6X15	GRIFF ROT M6X15
15	18215	2	TUERCA CARRIL T-M6 SLIM CUTTER	NUT RAIL T-M6 SLIM CUTTER	NUT RAIL T-M6 SLIM CUTTER

Part-list	C	ES	EN	DE	FR
16	18230	1	BOLSA DE TRANSPORTE SLIM CUTTER	CARRIER BAG SLIM CUTTER	CARRIER BAG SLIM CUTTER
17	18812	2	TENAZA SLIM SYSTEM	SLIM SYSTEM PLIERS (1 PC)	SLIM SYSTEM PLIERS (1 PC)

Queda reservado el derecho de introducir cualquier modificacion técnica sin previo aviso
We reserve the right to introduce any technical modification without previous notice

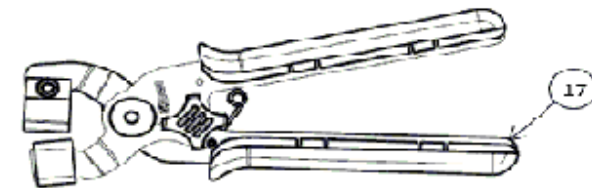
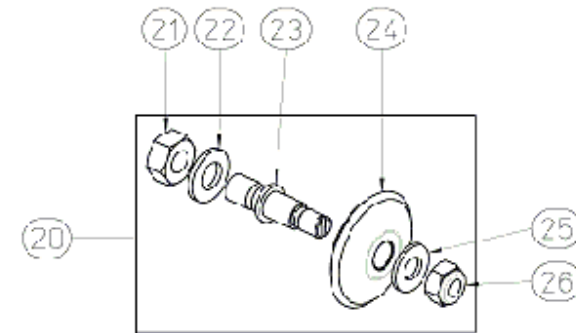
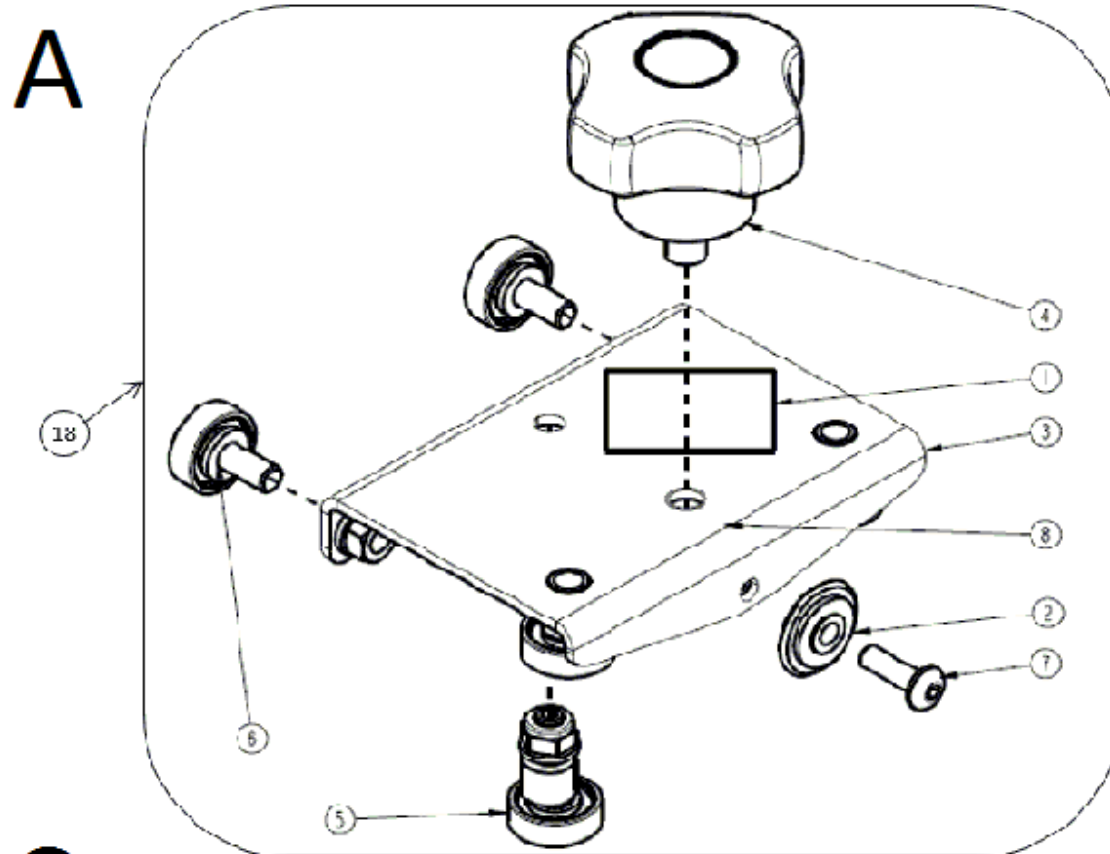
Wir behalten uns das Recht vor, jede notwendige technische Änderung ohne vorherige Ankündigung an unseren Produkten vorzunehmen.
Il est réservé le droit à introduire une modification technique sans préavis.

SLIM CUTTER

Ref.explod 100000720 05

23/12/2016

Product. 18911



SLIM CUTTER

Ref.explod 100000720 05

23/12/2016

Product. 18911



B

