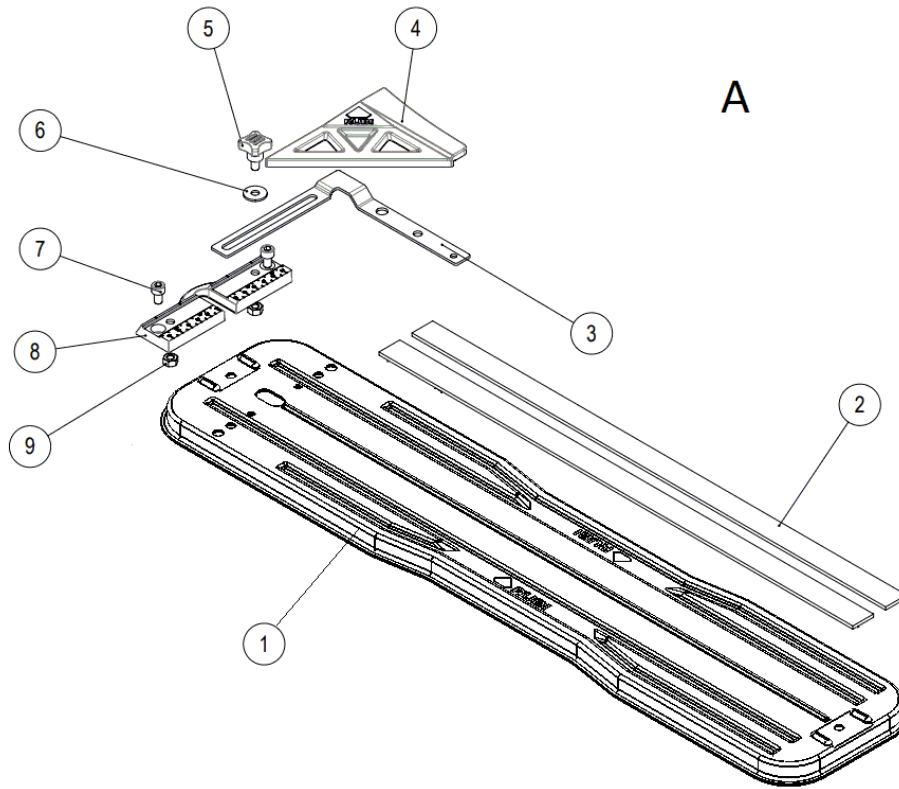


Part-list	ES	EN	Prod.
1	A	GRUPO PORTAHERRAMIENTAS	TOOLHOLDER GROUP
2	B	GRUPO GUIAS	GUIDE GROUP
3	C	GRUPO BASE	BASE GROUP

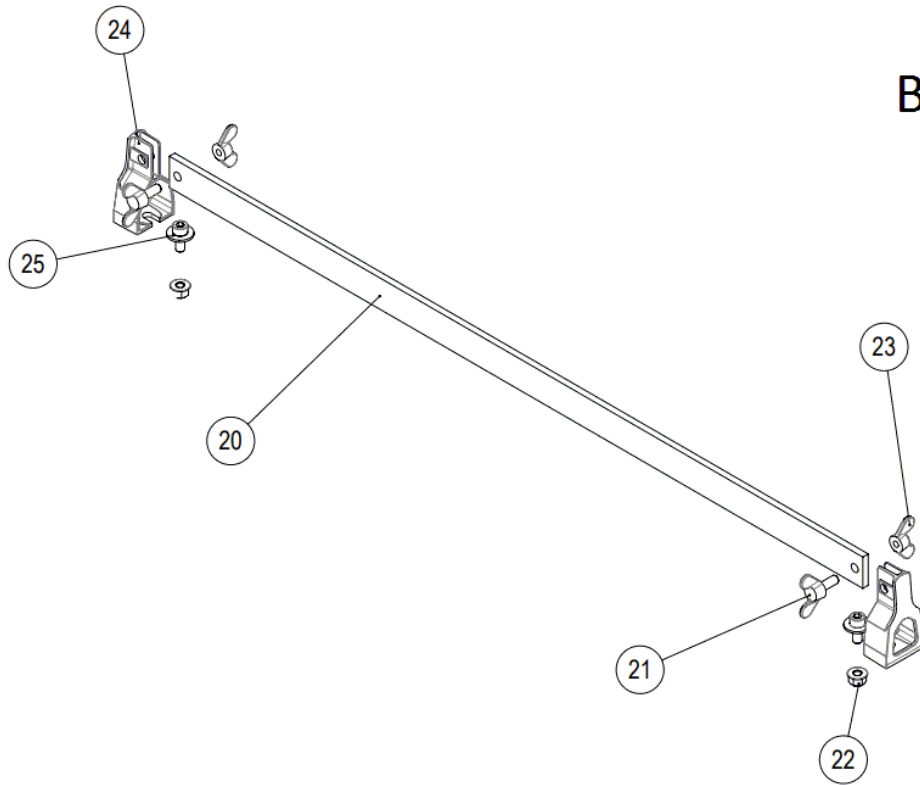
Prod.	ES	EN	From serial num.
25955	BASIC-50 CON TOPE LATERAL -CORT.MANUAL	BASIC 50 With Lateral Stop	BA008162
25956	BASIC-60 CON TOPE LATERAL -CORT.MANUAL	BASIC 60 With Lateral Stop	BA008162

Queda reservado el derecho de introducir cualquier modificacion técnica sin previo aviso

We reserve the right to introduce any technical modification without previous notice

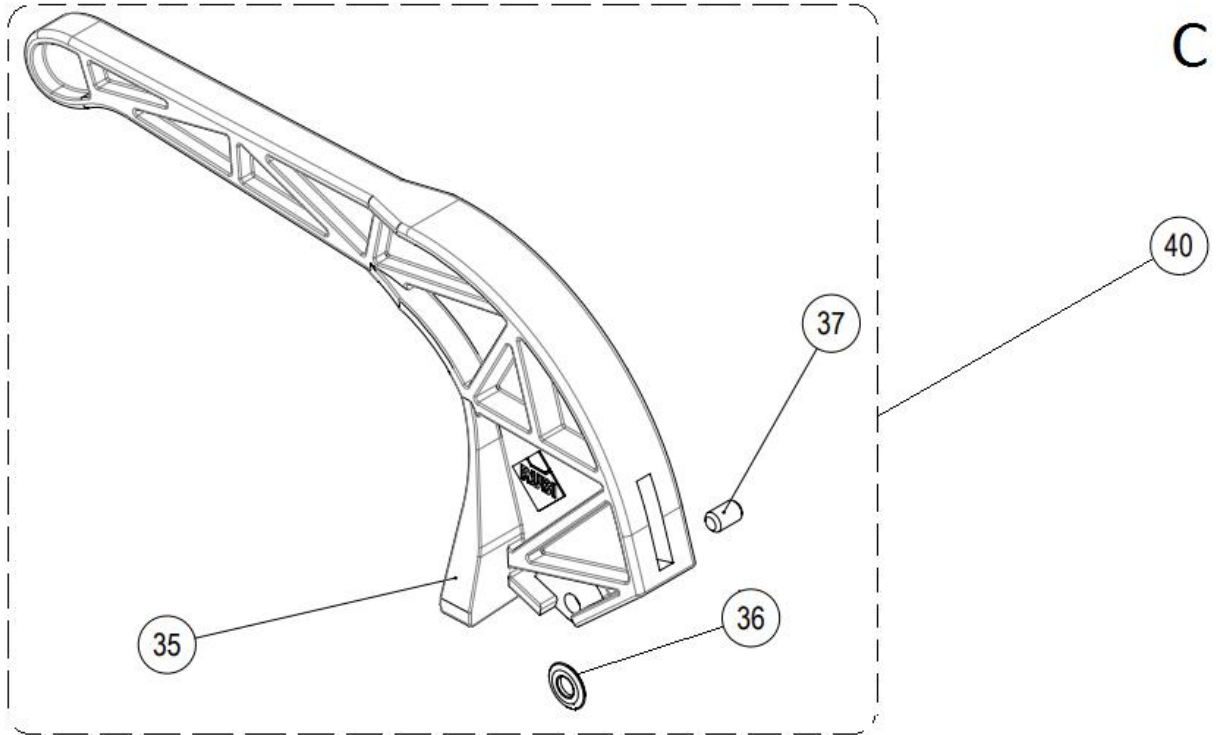


Part-list	ES	EN	Prod.
1	25771 1	BASE BASIC-50 V2	BASE BASIC-50 V2 25955
1	25772 1	BASE BASIC-60 V2	BASE BASIC-60 V2 25956
2	12262 2	TIRA GOMA STAR-50	RUBBER BAND STAR-50 25955
2	12315 2	TIRA GOMA STAR-60	RUBBER BAND STAR-60 25956
3	25810 1	COM.TOPE LATERAL BASIC/PRACTIC	LATERAL STOP BASIC/PRACTIC
4	13436 1	SUPLEMENTO 45° V2	45° SUPPLEMENT V2
5	17021 1	COM.POMO M6X10 ROJO	RED KNOB SET M6X10
6	45038 1	ARAND DIN 9021 A6,4 ZN	WASHER DIN 9021 A6,4 ZP
7	45043 2	TORN DIN 912 M6X10 6.8 ZN	SCREW DIN 912 M6X10 6.8 ZP
8	25777 1	ESCUADRA BASIC V2	SQUARE BASIC V2
9	15132 4	TUERCA DIN 934 M6 CL8 ZN	HEX NUT DIN 934 M6 CL8 ZP



Part-list	ES	EN	Prod.
20	25242 1	GUIA BASIC-50	GUIDE BASIC-50 25955
20	25243 1	GUIA BASIC-60	GUIDE BASIC-60 25956
21	25305 2	TORN DIN 316 M6X16 6.8 ZN MARIPOSA	BUTTERFLY SCREW M6X16 DIN 316 6.8 ZP
22	83035 2	TUERCA DIN 6923 M6 CL8 ZN	NUT DIN 6923 M6 CL8 ZP
23	70246 2	TUERCA DIN 315 M6 ZN MARIPOSA	BUTTERFLY NUT DIN 316 M6 CL8 ZP
24	25255 2	SOPORTE GUIAS BASIC	GUIDE SUPPORT BASIC
25	25312 2	TORN DIN 912 M6X14 6.8 ZN Y ARAND	SCREW DIN 912 M6X14 6.8 ZP & WASHER

C



Part-list	ES	EN	Prod.
35	12709 1	MANETA KIT-30/KIT-40 V2	HANDLE KIT-30/40 V2
36	1960 1	RODEL Ø 14 MM CORTADORES STANDARD	CARBIDE SCORING WHEEL 9/16" (14 mm.)
37	12705 1	EJE RODEL	WHEEL AXLE
40	25811 1	CJ.MANGO Y RULINA BASIC	HANDLE AND SC.WHEEL SET BASIC