

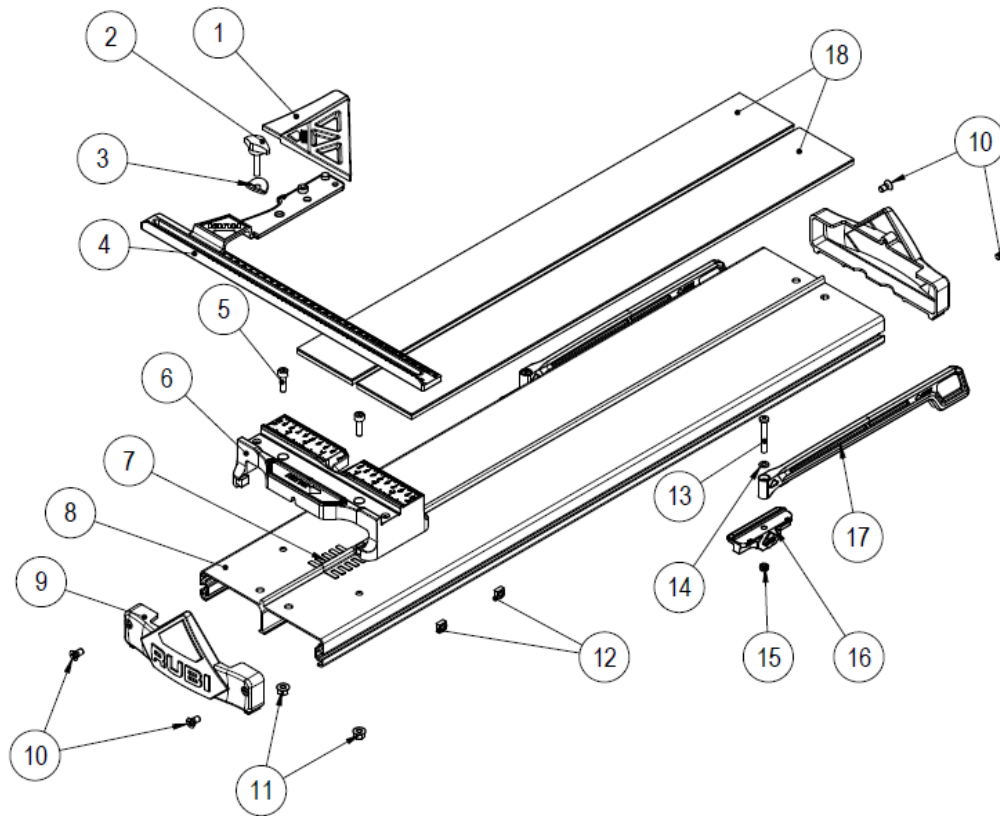
Part-list	ES	EN	Prod.
1	A	GRUPO BASE	BASE GROUP
2	B	GRUPO GUIAS	GUIDE GROUP
3	C	GRUPO PORTAHERRAMIENTAS	TOOLHOLDER GROUP

Prod.	ES	EN	From serial num.
14956	PRIME-CUT-65 MAGNET	PRIME-CUT-65 MAGNET	PM000001
14957	PRIME-CUT-85 MAGNET	PRIME-CUT-85 MAGNET	PM000001
14958	PRIME-CUT-100 MAGNET	PRIME-CUT-100 MAGNET	PM000001

Queda reservado el derecho de introducir cualquier modificacion técnica sin previo aviso

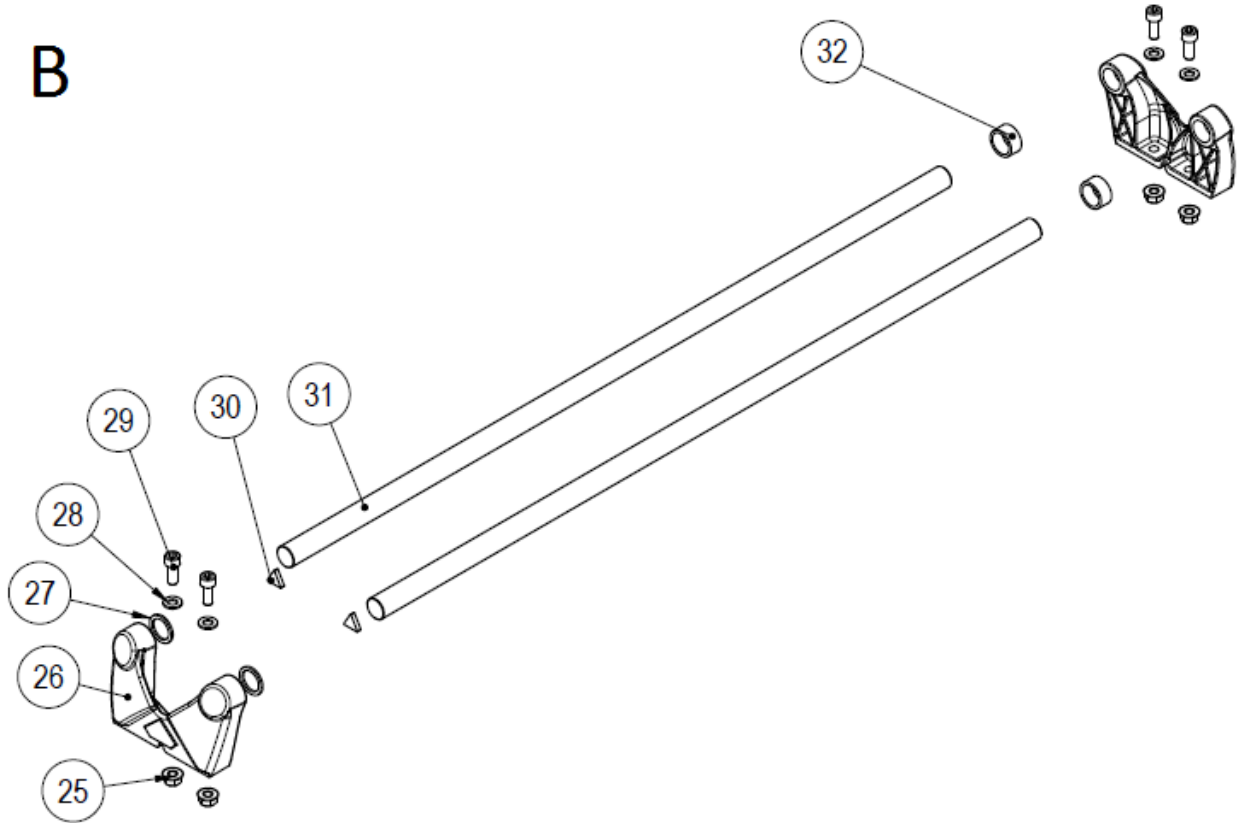
We reserve the right to introduce any technical modification without previous notice

A



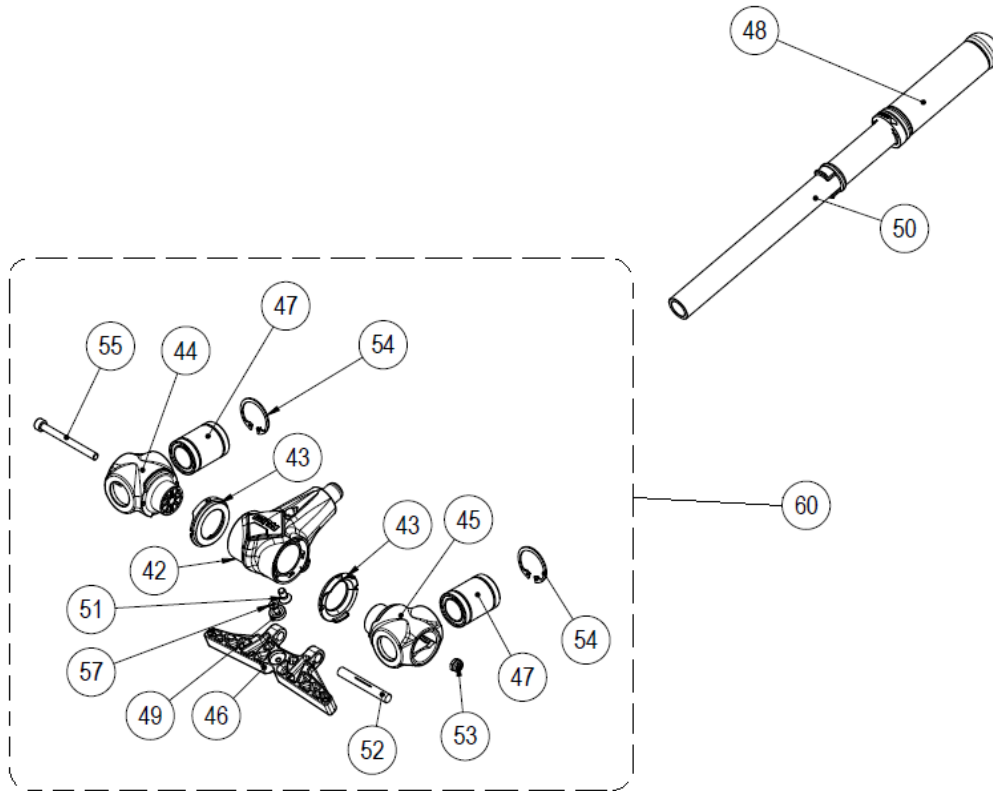
Part-list	ES	EN	Prod.	
1	13436 1	SUPLEMENTO 45° V2	45° SUPPLEMENT V2	
2	14373 1	POMO T M6X30	KNOB T M6X30	
3	14169 1	ARAND DIN 9021 60° A8,4 ZN	WASHER DIN 9021 60° A8,4 ZP	
4	13440 1	TOPE LATERAL SPEED V2	LATERAL STOP SPEED V2	
5	50105 2	TORN DIN 912 M6X20 6.8 ZN	SCREW DIN 912 M6X20 6.8 ZP	
6	14589 1	ESCUADRA HIT-850	SQUARE HIT-850	
7	14136 1	REFUERZO COSTILLA TIGER	RIB REINFORCEMENT TIGER	14956, 14957
7	14136 2	REFUERZO COSTILLA TIGER	RIB REINFORCEMENT TIGER	14958
8	14341 1	BASE PRIME 180X35X1175	BASE PRIME 180X35X1175	14958
8	14217 1	BASE GENIUS 180X35X825	BASE GENIUS 180X35X825	14956
8	14218 1	BASE GENIUS 180X35X1025	BASE GENIUS 180X35X1025	14957
9	14165 2	TAPA BASE X-ONE	BASE COVER X-ONE	
10	14119 4	TORN GB 6561 M6X12 8.8 ZN	SCREW GB 6561 M6X12 8.8 ZP	
11	83035 2	TUERCA DIN 6923 M6 CL8 ZN	NUT DIN 6923 M6 CL8 ZP	
12	56124 4	TUERCA DIN 557 M6 CUADRADA CL8 ZN	SQUARE NUT DIN 557 M6 CL8 ZP	
13	14237 2	TORN DIN 7985 M5X40 6.8 ZN	SCREW DIN 7985 M5X40 6.8 ZP	
14	56035 2	ARAND DIN 125 A5,3 ZN	WASHER DIN125 A5,3 ZP	
15	40045 2	TUERCA DIN 985 M5 CL8 ZN AUTOBLOC	HEX LOCK NUT DIN 985 M5 CL8 ZP	
16	14598 2	PATIN PATA APOYO TIGER-185 V2	LATERAL ARM SLIDER TIGER-185 V2	
17	14238 2	PATA DE APOYO X-ONE	SUPPORT ARM X-ONE	
18	14334 2	GOMA 80X650 EVA	RUBBER 80X650 EVA	14956
18	14336 2	GOMA 80X1000 EVA	RUBBER 80X1000 EVA	14958
18	14335 2	GOMA 80X850 EVA	RUBBER 80X850 EVA	14957

B



Part-list	ES	EN	Prod.	
25	57335 4	TUERCA DIN 6923 M8 CL8 ZN	NUT DIN 6923 M8 CL8 ZP	
26	14209 2	SOPORTE GUIAS PRIME	GUIDE SUPPORT PRIME	
27	13336 2	TOPE CORREDERA Ø20X26X2	CARRIER TOP 20X26X2	
28	45056 4	ARAND DIN 125 A8,4 ZN	WASHER DIN 125 A8,4 ZP	
29	60432 4	TORN DIN 912 M8X20 6.8 ZN BLANCO	SCREW DIN 912 M8X20 6.8	
30	12693 2	TACO GOMA FAST	RUBBER STOPPER FAST	
31	14339 2	GUIA Ø 20 L=1133	GUIDE Ø 20 L=1133	14958
31	14338 2	GUIA Ø 20 L=983	GUIDE Ø 20 L=983	14957
31	14337 2	GUIA Ø 20 L=783	GUIDE Ø 20 L=783	14956
32	13343 2	TOPE CORREDERA Ø20X25X12	CARRIER TOP 20X25X12	

C



Part-list	ES	EN	Prod.
42	14003 1	PORTAHERRAM.SPEED MAGNET	TOOLHOLDER SPEED MAGNET
43	14005 2	DISTANCIADOR SPEED N POM	SPEED N SPACER POM
44	14225 1	CORREDERA DERECHA GENIUS	RIGHT SLIDER GENIUS
45	14226 1	CORREDERA IZQUIERDA GENIUS	LEFT SLIDER GENIUS
46	14004 1	PISADOR SPEED MAGNET	SPEED MAGNET BREAKING FEET
47	14239 2	RODAMIENTO LINEAL LM20UU NI	LINEAR BEARING LM20UU NICKEL
48	17751 1	MANGO RUBI Ø22	HANDLE RUBI Ø22
49	14118 1	IMAN Ø 4,5X14X4 F=32N	MAGNET Ø 4,5X14X4 F=32N
50	17706 1	PALANCA M16X1,5 L=400 CARRITO TZ	LEVER M16X1,5 L=400 TOOLHOLDER TZ
51	14119 1	TORN GB 6561 M6X12 8.8 ZN	SCREW GB 6561 M6X12 8.8 ZP
52	14330 1	PASADOR DIN 1475 D8X60 PVN	PIN DIN 1475 D8X60 BLACKENING TREATMENT
53	40020 1	TUERCA DIN 985 M6 CL8 ZN AUTOBLOC	HEX LOCK NUT DIN 985 M6 CL8 ZP
54	61261 2	ANILLO DIN 472 Ø 32	RING DIN 472 DIA.32
55	14127 1	TORN DIN 912 M6X65 8.8 ZN	SCREW DIN 912 M6X65 8.8 ZP
57	14278 1	TORN GB 6561-86 M4X10 8.8 ZN	SCREW GB 6561-86 M4X10 8.8 ZP
60	14835 1	CJ.SEPARADOR PRIME	SEPARATOR SET PRIME