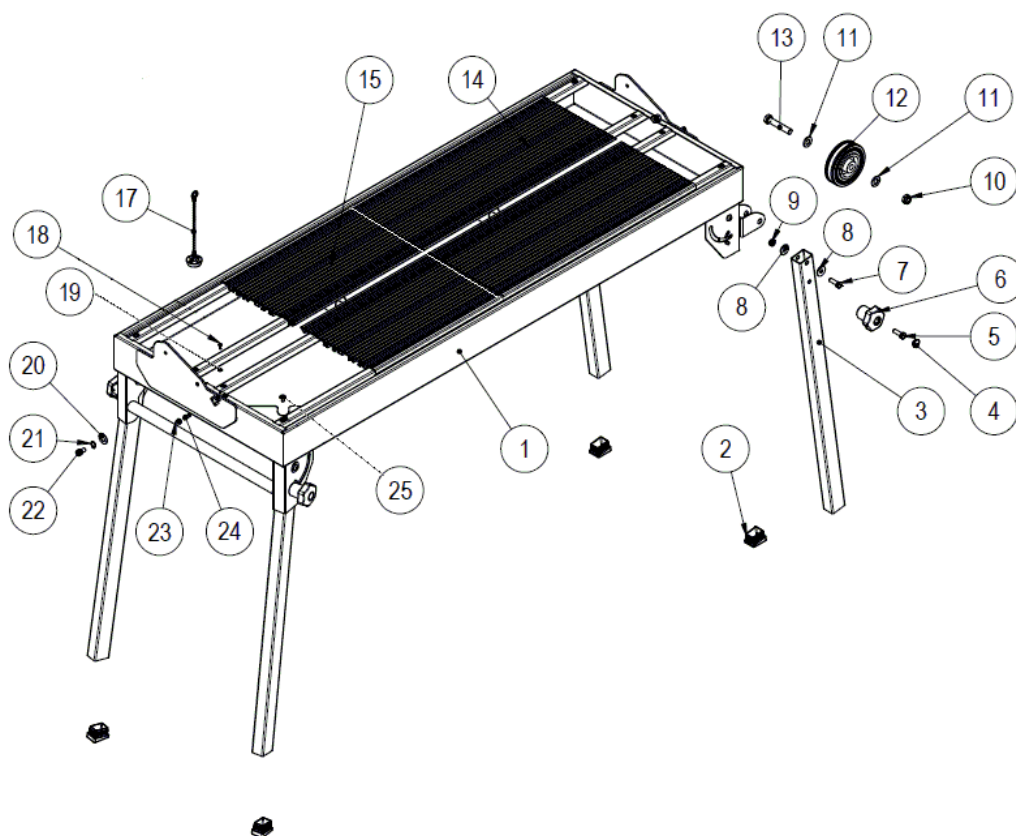


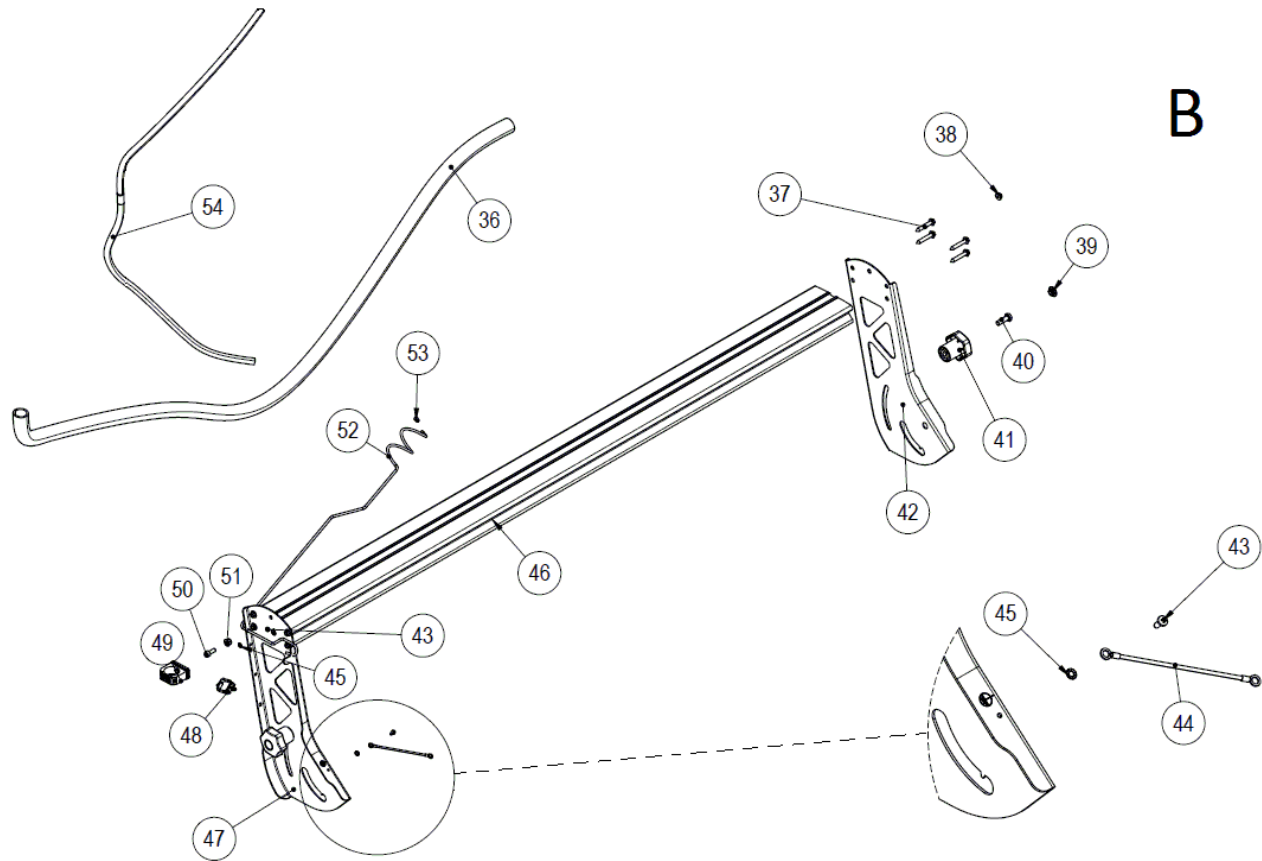
Part-list	ES	EN	Prod.	
1	A	GRUPO CHASIS	CHASSIS GROUP	
2	B	GRUPO GUIA Y BRAZOS	GUIDE & SUPPORTS GROUP	
3	C	GRUPO TOPE LATERAL DC-1200	SIDE STOP GROUP DC-1200	55941/42/43/44/48/98
4	C	GRUPO TOPE LATERAL DC-850	SIDE STOP GROUP DC-850	54924/33/34/35/36/97
5	D	GRUPO MOTOR, BOMBA Y CABEZAL DISCO 1/2	MOTOR, WATER PUMP & CUTTING HEAD GROUP 1/2	
6	D	GRUPO MOTOR, BOMBA Y CABEZAL DISCO 2/2	MOTOR, WATER PUMP & CUTTING HEAD GROUP 2/2	
7	E	GRUPO CARRO MOTOR 1/2	MOTOR HOLDER GROUP 1/2	
8	E	GRUPO CARRO MOTOR 2/2	MOTOR HOLDER GROUP 2/2	

Prod.	ES	EN	From serial num.
54924	DC-250-850 120V 60HZ INCH C/DISCO Y CABL	DC-250-850 120V 60HZ INCH W/BLADE & CABL	1085
54933	DC-250-850 230V 50HZ -CORT.ELEC.	DC-250-850 230V 50HZ -CORT.ELEC.	4217
54934	DC-250-850 220V 60HZ -CORT.ELEC.	DC-250-850 220V 60HZ -CORT.ELEC.	734
54935	DC-250-850 110V 50HZ -CORT.ELEC.	DC-250-850 110V 50HZ -CORT.ELEC.	701
54936	DC-250-850 120V 60HZ -CORT.ELEC.	DC-250-850 120V 60HZ -CORT.ELEC.	515
54997	DC-250-850 230V 50HZ CON CPA 250 SPRO	DC-250-850 230V 50HZ WITH CPA 250 SPRO	559
54998	DC-250-1200 230V 50HZ CON CPA 250 SPRO	DC-250-1200 230V 50HZ WITH CPA 250 SPRO	560
55941	DC-250-1200 230V 50HZ -CORT.ELEC.	DC-250-1200 230V 50HZ -CORT.ELEC.	6834
55942	DC-250-1200 220V 60HZ -CORT.ELEC.	DC-250-1200 220V 60HZ -CORT.ELEC.	718
55943	DC-250-1200 110V 50HZ -CORT.ELEC.	DC-250-1200 110V 50HZ -CORT.ELEC.	1070
55944	DC-250-1200 120V 60HZ -CORT.ELEC.	DC-250-1200 120V 60HZ -CORT.ELEC.	676
55948	DC-250-1200 120V 60HZ INCH C/DISCO Y CAB	DC-250-1200 120V 60HZ INCH W/BLADE & CAB	3403

A



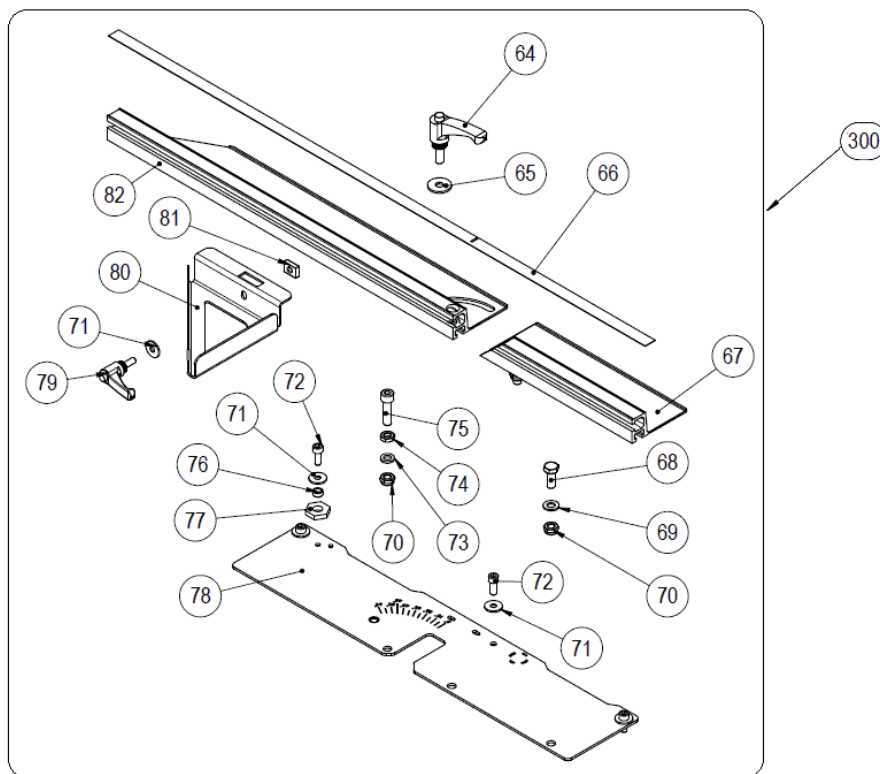
Part-list	ES	EN	Prod.	
1	55452 1	CHASIS DC-250-850 V2	CHASSIS DC-250-850 V2	54924/33/34/35/36/97
1	55379 1	CHASIS DC-1200/DV-1000	CHASSIS DC-1200/DV-1000	55941/42/43/44/48/98
2	55390 4	CONTERA 30X40X2 8° INCLINADA	ANGLED RIBBED INSERT 30X40X2 8°	
3	55389 4	PATA DC/DV 30X40 S/CONTERA	LEG DC/DV 30X40 W/RIBBED INSERT	
4	17332 4	TAPON POMO M8 ROJO	RED KNOB CAP M8	
5	15682 4	TORN DIN 933 M8X25 6.8 ZN	SCREW DIN 933 M8X25 6.8 ZP	
6	54785 4	POMO M8 ROJO LARGO	LONG RED KNOB M8	
7	51490 4	TORN ISO 7380 M8X50 8.8 ZN	SCREW ISO 7380 M8X50 8.8 ZP	
8	55047 8	ARAND DIN 9021 A8,4 ZN	WASHER DIN 9021 A8,4 ZP	
9	55048 4	TUERCA DIN 985 M8 CL8 ZN AUTOBL.	HEX LOCK NUT DIN 985 M8 CL8 ZP	
10	57366 2	TUERCA DIN 985 M12 CL8 ZN AUTOBL.	HEX LOCK NUT DIN 985 M12 CL8 ZP	
11	50210 4	ARAND DIN 125 A13 ZN	WASHER DIN 125 A13 ZINC	
12	61469 2	RUEDA Ø 100 BUJE Ø 12X39	WHEEL DIA.100 DIA.12X39	
13	54447 2	TORN DIN 931 M12X65 8.8 ZN	SCREW DIN 931 M12X65 ZP	
14	54670 2	MESA ALUMINIO DS/DX 600MM	ALUMINIUM TABLE DS/DX 600MM	55941/42/43/44/48/98
14	54669 2	MESA ALUMINIO DS/DX 400MM	ALUMINIUM TABLE DS/DX 400MM	54924/33/34/35/36/97
15	54669 2	MESA ALUMINIO DS/DX 400MM	ALUMINIUM TABLE DS/DX 400MM	
17	57145 1	TAPON CON CADENA Ø 35 V2	RUBBER PLUG WITH CHAIN DIA 35	
18	55411 1	TORN DIN 7981-F 3,9X9,5 INOX A2	SCREW DIN 7981-F 3,9X9,5 SS A2	
19	45343 1	ARAND DIN 6798 A4,3X8 INOX A2	WASHER DIN 6798 A4,3X8 SS A2	
20	55419 2	ARAND DIN 2093-B 12,2X25	WASHER DIN 2093-B 12,2X25	
21	57339 2	ANILLO DIN 471 Ø 12 ZN	WASHER DIN 471 DIA.12 ZP	
22	54649 2	EJE CARRO Ø10 M8 ZN	SHAFT HOLDER Ø10 M8 ZP DC-250	
23	57100 2	TUERCA DIN 439 M6 CL8 ZN	NUT DIN 439 M6 CL8 ZP	
24	15745 2	PRISIONERO DIN 913 M6X25 8.8 ZN	PIN DIN 913 M6X25 ZP	
25	54053 4	TORN ISO 7380 M6X10 ULS 6.8	SCREW ISO 7380 M6X10 (ULS) 6.8	55941/42/43/44/48/98



**B**

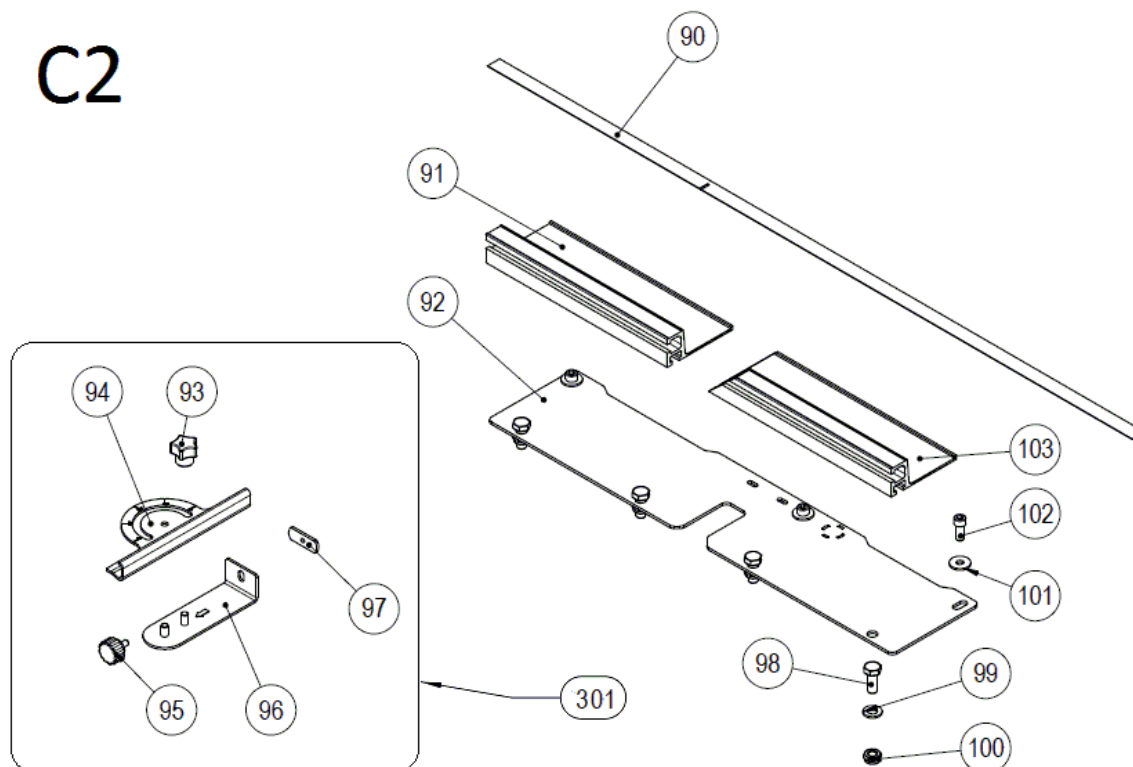
Part-list	ES	EN	Prod.	
36	54301 1	TUBO FLEXIBLE NEGRO Ø 22 INT.	BLACK CABLE PIPE DIA 22 INT.	
37	54457 8	TORN DIN 6928 - C HEXG. 6,3X40 6.8ZN	SCREW DIN 6928 EXG.6,3X40 6.8 ZP	
38	54783 1	TOPE GOMA ISC Ø12X2.5-Ø7X2	RUBBER STOP ISC Ø12X2.5-Ø7X2	
39	17332 2	TAPON POMO M8 ROJO	RED KNOB CAP M8	
40	15682 2	TORN DIN 933 M8X25 6.8 ZN	SCREW DIN 933 M8X25 6.8 ZP	
41	54785 2	POMO M8 ROJO LARGO	LONG RED KNOB M8	
42	54851 1	BRAZO ANTERIOR DC-250 V2	FRONT ARM DC-250 V2	
43	55411 2	TORN DIN 7981-F 3,9X9,5 INOX A2	SCREW DIN 7981-F 3,9X9,5 SS A2	
44	54483 1	CABLE TIERRA BRAZO 100X2,5MM	GROUND CONNECTION ARM 100X2,5MM	
45	45343 2	ARAND DIN 6798 A4,3X8 INOX A2	WASHER DIN 6798 A4,3X8 SS A2	
46	55428 1	GUIA MOTOR DC-250 850 1219MM	GUIDE MOTOR DC-250 850 1219MM	54924/33/34/35/36/97
46	55404 1	GUIA MOTOR DC-250 1444MM	GUIDE MOTOR DC-250 1444MM	55941/42/43/44/48/98
47	54867 1	BRAZO POSTERIOR DC-250 V3	REAR ARM DC-250 V3	
48	55417 1	ABRAZADERA CABLEADO DC-250 NEGRA	CABLE CLAMP DC-250	
49	52095 1	BRIDA TUBO Ø 28 DX-250	TUBING CLAMP Ø 28 DX-250	
50	45051 1	TORN DIN 912 M6X16 6.8 ZN	SCREW DIN 912 M6X16 6.8 ZP	
51	83035 1	TUERCA DIN 6923 M6 CL8 ZN	NUT DIN 6923 M6 CL8 ZP	
52	57664 1	ALZADOR TUBO	PIPE HOLDER	
53	54767 1	CAPUCHON TUBO ISC 4-3,9-5,5 NEGRO	TUBE CAP ISC 4-3,9-5,5 BLACK	
54	56448 1	PVC CRISTAL Ø 9X12 2000MM	PIPE PVC Ø 9X12 2000MM	54924/33/34/35/36/97
54	56462 1	PVC CRISTAL Ø 9X12 2300MM	PIPE PVC Ø 9X12 2300MM	55941/42/43/44/48/98

## C1



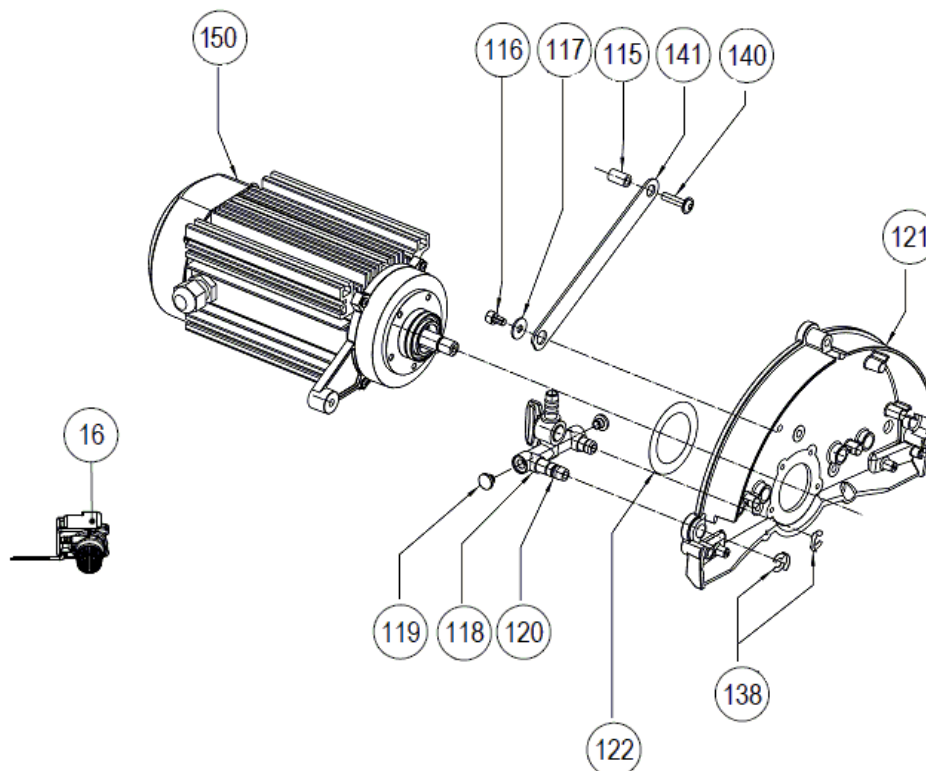
Part-list	ES	EN	Prod.	
64	54442 1	MANETA REGULABLE M8X20 PLASTICO	ADJUSTABLE HANDLE M8X20 PLASTIC	55941/42/43/44/48/98
65	55047 1	ARAND DIN 9021 A8,4 ZN	WASHER DIN 9021 A8,4 ZP	55941/42/43/44/48/98
66	54449 1	CINTA MM TOPE MESA DW-250-N/NL	LABEL TABLE TOP MM DW-250-N/NL	55941, 55942, 55943, 55944, 54998
66	54450 1	CINTA PULGADAS TOPE MESA DW-250-N/NL	LABEL TABLE TOP INCH DW-250-N/NL	55948
67	54591 1	TOPE FIJO MESA D-N V2	FIXING TABLE TOP D-N V2	55941/42/43/44/48/98
68	60435 2	TORN DIN 933 M8X20 6.8	SCREW DIN 933 M12X110 6.8 ZP	55941/42/43/44/48/98
69	45056 2	ARAND DIN 125 A8,4 6.8 ZN	WASHER DIN 125 A8,4 6.8 ZP	55941/42/43/44/48/98
70	55048 3	TUERCA DIN 985 M8 CL8 ZN AUTOBL.	HEX LOCK NUT DIN 985 M8 CL8 ZP	55941/42/43/44/48/98
71	45038 5	ARAND DIN 9021 A6,4 ZN	WASHER DIN 9021 A6,4 ZP	55941/42/43/44/48/98
72	45051 4	TORN DIN 912 M6X16 6.8 ZN	SCREW DIN 912 M6X16 6.8 ZP	55941/42/43/44/48/98
73	54598 1	ARAND 14X8,1X2 PA	WASHER 14X8,1X2 PA	55941/42/43/44/48/98
74	54597 1	TUERCA DIN 439 M8 CL8 ZN	NUT DIN 439 M8 CL8 ZP	55941/42/43/44/48/98
75	12106 1	TORN DIN 912 M8X30 6.8 ZN BLANCO	SCREW DIN 912 M8X30 6.8 ZP WHITE	55941/42/43/44/48/98
76	18305 1	CASQ 6,3X10X5,2 INOX	BUSHING 6,3X10X5,2 SS	55941/42/43/44/48/98
77	54799 1	ARAND TOPE ESCUADRA DC/DX/DS	SQUARE STOP WASHER DC/DX/DS	55941/42/43/44/48/98
78	54847 1	BASE TOPE MESA 500 DC-250 1200 V3 GRABAD	TABLE STOP BASE 500 DC-250 1200 V3 ENGR.	55941/42/43/44/48/98
79	54441 1	MANETA REGULABLE M6X16 PLASTICO	ADJUSTABLE HANDLE M6X16 PLASTIC	55941/42/43/44/48/98
80	54609 1	TOPE LATERAL 45° 12CM DW/DC	LATERAL TOP 45° 12CM DW/DC	55941/42/43/44/48/98
81	54485 1	TUERCA M6 12,5X17X5 RECT.	NUT M6 12,5X17X5 SQUARE	55941/42/43/44/48/98
82	54542 1	TOPE GIRATORIO MESA DW-250-NL	SPINNING TABLE TOP DW-250-NL	55941/42/43/44/48/98
300	55873 1	CJ.TOPE MESA DC-250-1200 MM	TABLE TOP DC-250-1200 MM	55941, 55942, 55943, 55944, 54998
300	55899 1	CJ.TOPE MESA DC-250-1200 INCH	TABLE TOP DC-250-1200 INCH	55948

## C2



Part-list	ES	EN	Prod.	
90	54450 1	CINTA PULGADAS TOPE MESA DW-250-N/NL	LABEL TABLE TOP INCH DW-250-N/NL	54924
90	54449 1	CINTA MM TOPE MESA DW-250-N/NL	LABEL TABLE TOP MM DW-250-N/NL	54933, 54934, 54935, 54936, 54998
91	55441 1	TOPE FIJO MESA DC-250 850	FIX TABLE TOP DC-250 850	54924/33/34/35/36/97
92	54720 1	BASE TOPE MESA DC-250 850	BASE TOP TABLE DC-250 850	54924/33/34/35/36/97
93	25338 1	POMO HEMBRA M6 NEGRO	KNOB FEMALE M6 BLACK	54924/33/34/35/36/97
94	25337 1	GUIA TOPE 45 GRADOS DU-BL/DW-N	GUIDE STOPPER 45 DEGREE DU-BL/DW-N	54924/33/34/35/36/97
95	25339 1	POMO M5X10 NEGRO	KNOB M5X10 BLACK	54924/33/34/35/36/97
96	25667 1	TOPE LATERAL DU-BL/DW-N V2	SIDER SUPPORT DU-BL/DW-N V2	54924/33/34/35/36/97
97	55442 1	TUERCA M5 TOPE LATERAL DC-250 850	NUT M5 LATERAL TOP DC-250 850	54924/33/34/35/36/97
98	60435 4	TORN DIN 933 M8X20 6.8	SCREW DIN 933 M12X110 6.8 ZP	54924/33/34/35/36/97
99	45056 4	ARAND DIN 125 A8,4 6.8 ZN	WASHER DIN 125 A8,4 6.8 ZP	54924/33/34/35/36/97
100	55048 4	TUERCA DIN 985 M8 CL8 ZN AUTOBL.	HEX LOCK NUT DIN 985 M8 CL8 ZP	54924/33/34/35/36/97
101	45038 3	ARAND DIN 9021 A6,4 ZN	WASHER DIN 9021 A6,4 ZP	54924/33/34/35/36/97
102	45051 3	TORN DIN 912 M6X16 6.8 ZN	SCREW DIN 912 M6X16 6.8 ZP	54924/33/34/35/36/97
103	54591 1	TOPE FIJO MESA D-N V2	FIXING TABLE TOP D-N V2	54924/33/34/35/36/97
301	54869 1	CJ.TOPE LATERAL DC-250 850	LATERAL STOP SET DC-250 850	54924/33/34/35/36/97

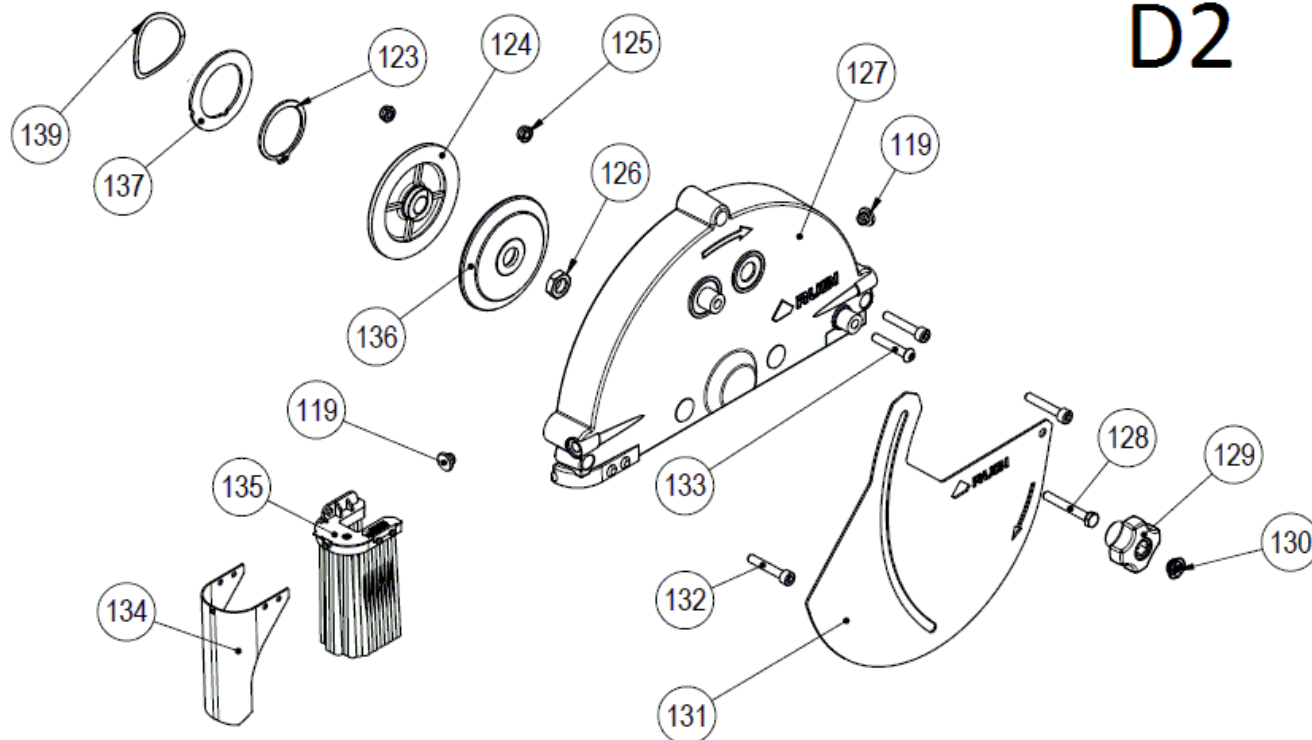
## D1



Part-list	ES	EN	Prod.	
16	25678 1	COM.BOMBA AGUA FA180 230/60 60W V2 R.2,4	WATER PUMP FA-180 230/60 60W V2 RED 2,4M	54934, 55942
16	25679 1	COM.BOMBA AGUA FA180 115V 55W V2 R.2,4M	WATER PUMP FA-180 115V 55W V2 RED 2,4M	54924/35/36/43/44, 55948
16	25677 1	COM.BOMBA AGUA FA180 230/50 55W V2 R.2,4	WATER PUMP FA-180 230/50 55W V2 RED 2,4M	54933, 55941
115	55415 1	CASQ 6,1X10X17 PA 6,6	BUSHING 6,1X10X17 PA 6,6	
116	61069 1	TORN DIN 912 M6X10 6.8 ZN TRILOB.	SCREW DIN 912 M6X10 6.8 ZP TRILOB.	
117	45038 5	ARAND DIN 9021 A6,4 ZN	WASHER DIN 9021 A6,4 ZP	
118	54239 1	COM.VALVULA D-N	VALVE SET D-N	
119	17235 2	TAPON PLASTICO Ø INT.8,25 MM	PLASTIC CAP TR 8,25 MM	
120	16111 1	JUNTA TORICA OR 7X2	O-RING OR 7X2	
121	54873 1	TAPA DISCO POSTERIOR Ø 250 V4	TAPA DISCO POSTERIOR DIA.250 V4	
122	52106 1	ARAND 44X63X0,2	WASHER 44X63X0,2	
138	54238 2	CLIP CL10 ZINC	CLIP CL10 ZINC	
140	54608 1	TORN ISO 7380 ARAND. M6X25 6.8 ZN	SCREW ISO 7380 AR M6X25 6.8 ZP	
141	54557 1	BIELA PROTECCION DISCO DW-250-N/NL	BLADE PROTECTOR CONNECTING ROD.W-250-N/L	
150	52070 1	MOTOR 120V 60HZ 1,1KW	MOTOR 120V 60HZ 1,1KW	54936, 55944, 54924, 55948
150	52069 1	MOTOR 110V 50HZ 1,1KW	MOTOR 110V 50HZ 1,1KW	54935, 55943
150	52001 1	MOTOR 230V 50HZ 1,1KW	MOTOR 230V 50HZ 1,1KW	54933, 55941
150	52068 1	MOTOR 220V 60HZ 1,1KW	MOTOR 220V 60HZ 1,1KW	54934, 55942

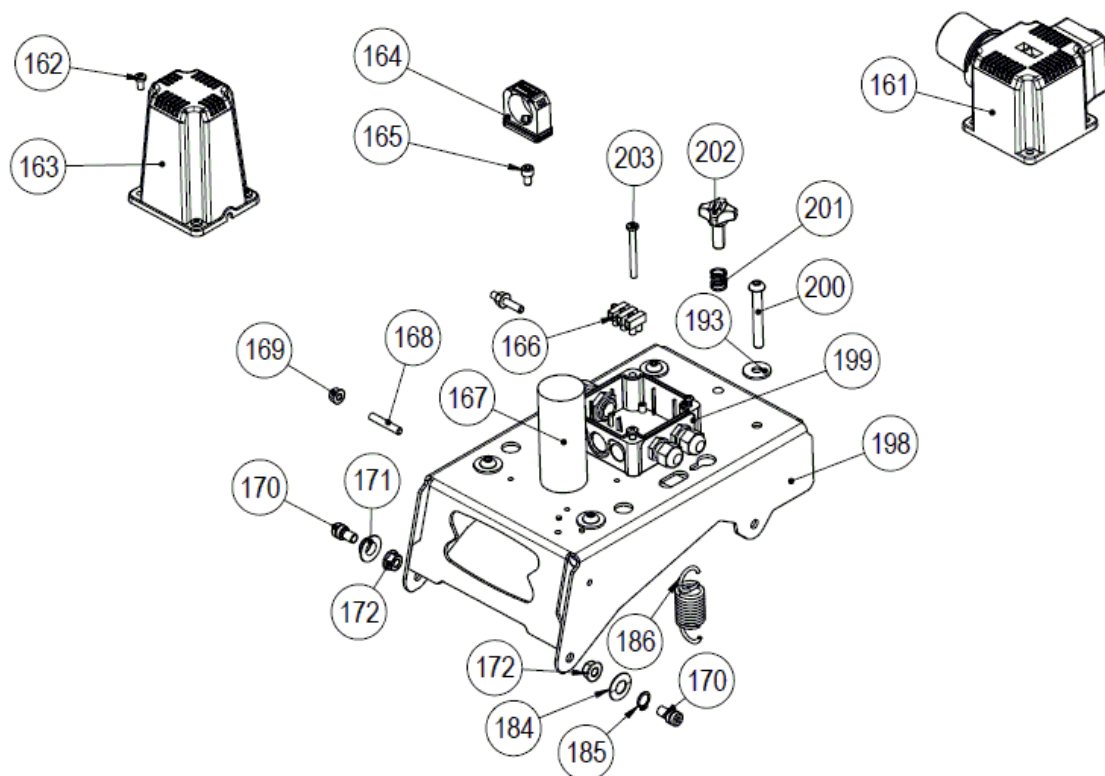


## D2



Part-list	ES	EN	Prod.	
119	17235 2	TAPON PLASTICO Ø INT.8,25 MM	PLASTIC CAP TR 8,25 MM	
123	52170 1	ANILLO DIN 471 Ø 42 INOX	RING DIN 471 DIA.42 INOX	
124	45430 1	PLATO INT.13X15,8X90 USA	INNER FLANGE 13X15,8X90 "A"	54924, 55948
124	45428 1	PLATO INT.13X25,4X90	INNER FLANGE MOTOR ND-200	54933/34/35/36/97/98, 55941/42/43/44
125	40020 2	TUERCA DIN 985 M6 CL8 ZN AUTOBLOC	HEX LOCK NUT DIN 985 M6 CL8 ZP	
126	56438 1	TUERCA DIN 936 M12 IZQ CL8 ZN	NUT DIN 936 M12 LEFT CL8 ZP	
127	54874 1	TAPA DISCO ANTERIOR Ø 250 V5	TAPA DISCO ANTERIOR DIA.250 V5	
128	17416 1	TORN DIN 933 M6X45 INOX A2	SCREW DIN 933 M6X45 SS A2	
129	13255 1	POMO M6 STANDAR ROJO V2	RED STANDARD M6 KNOB V2	
130	57485 1	TAPON POMO M6 ROJO	RED COVER KNOB M6	
131	54861 1	TAPA DISCO PLANA DC/DX/DW-250 V3	BLADE COVER DC/DX/DW-250 V3	
132	17177 3	TORN DIN 912 M6X35 6.8 ZN	SCREW DIN 912 M6X35 6.8 ZP	
133	54615 1	TORN ISO 7380 M6X35 INOX A2	SCREW ISO 7380 M6X35 SS A2	
134	54879 1	FALDON PROTECTOR AGUA M16 Ø250 SBR	WATER PROTECTOR SKIRT M16 Ø250 SBR	
135	54881 1	PROTECTOR AGUA CEPILLO M16 Ø250	BRUSH WATER PROTECTION M16 Ø250	
136	45441 1	PLATO EXT.13,5X16X90 USA	OUTER FLANGE 13,5X16X90 "A"	54924, 55948
136	45066 1	PLATO EXT.15X25,5X90	OUTER FLANGE 15X25,5X90	54933/34/35/36/97/98, 55941/42/43/44
137	52169 1	ARAND 42X62X2 ZN	WASHER 42X62X2 ZP	
139	52168 1	ARAND MTA 90 Ø 44	WASHER MTA 90 DIA.44	

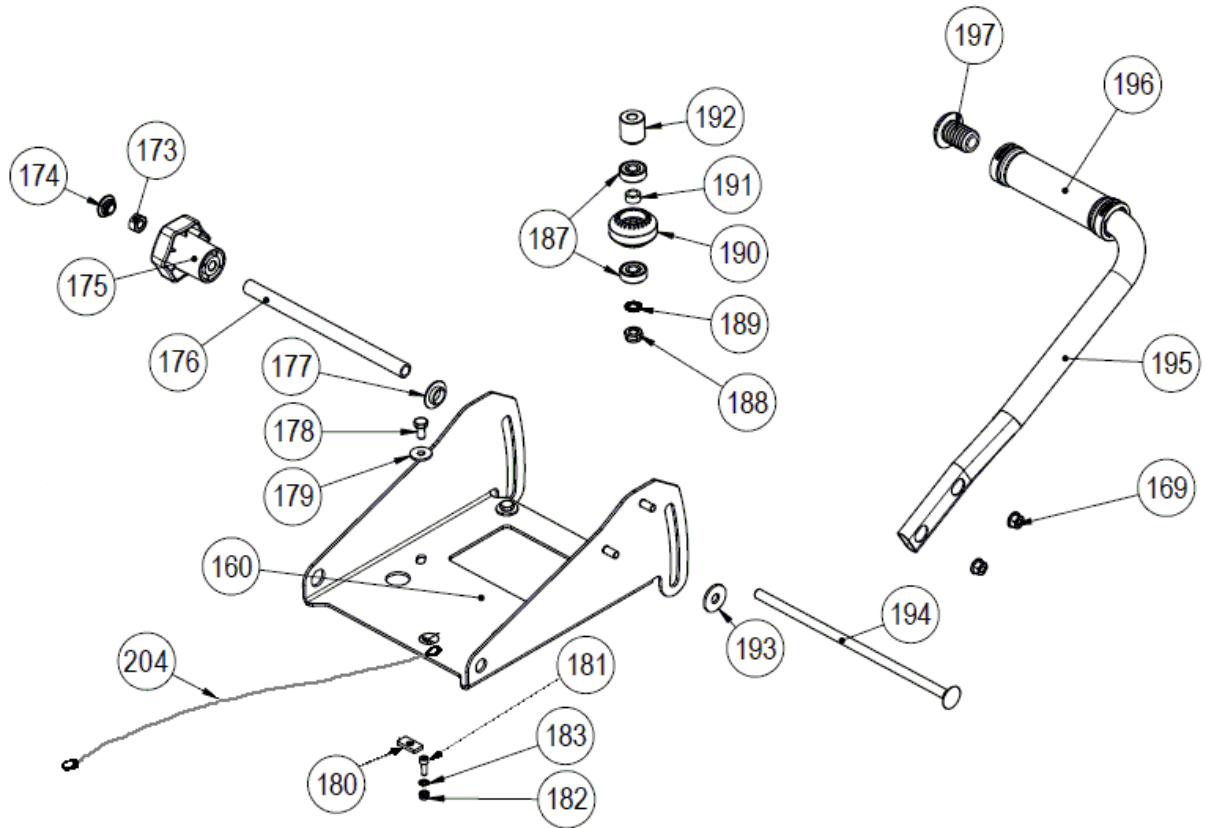
## E1



Part-list	ES	EN	Prod.	
161	52180 1	ARRANCADOR 120V 60HZ V2	STARTER 120V 60HZ V2	54936, 55944, 54924, 55948
161	52057 1	ARRANCADOR 230V 50HZ	STARTER 230V 50HZ	54933, 55941
161	52052 1	ARRANCADOR 230V 60HZ	STARTER 230V 60HZ	54934, 55942
161	52053 1	ARRANCADOR 110V 50HZ	STARTER 110V 50HZ	54935, 55943
162	50218 4	TORN DIN 7985 M5X10 6.8 ZN	SCREW DIN 7985 M5X10 6.8 ZP	
163	54790 1	CARCASA CONDENSADOR DC-250	CAPACITOR CASE DC-250	
164	52095 1	BRIDA TUBO Ø 28 DX-250	TUBING CLAMP Ø 28 DX-250	
165	45043 1	TORN DIN 912 M6X10 6.8 ZN	SCREW DIN 912 M6X10 6.8 ZP	
166	55230 1	REGLETA CONEXION ROH-2	CONNECTION JOINT ROH-2	
167	45554 1	CONDENSADOR 25MF 450V 50HZ	CAPACITOR 25MF 450V 50HZ	54933/34/97/98, 55941/42
167	55040 1	CONDENSADOR 60MF 240V 50/60HZ	CAPACITOR 60MF 240V 50/60HZ	54924/35/36, 55943/44/48
168	54567 2	PRISIONERO DIN 913 M6X35 ZN	PIN DIN 913 M6X35 ZP	
169	83035 2	TUERCA DIN 6923 M6 CL8 ZN	NUT DIN 6923 M6 CL8 ZP	
170	54649 2	EJE CARRO Ø10 M8 ZN	SHAFT HOLDER Ø10 M8 ZP DC-250	
171	55489 1	CASQ Ø12XØ15X7 C/VALONA	BUSHING Ø12XØ15X7	
172	57335 2	TUERCA DIN 6923 M8 CL8 ZN	NUT DIN 6923 M8 CL8 ZP	
184	55419 1	ARAND DIN 2093-B 12,2X25	WASHER DIN 2093-B 12,2X25	
185	57339 1	ANILLO DIN 471 Ø 12 ZN	WASHER DIN 471 DIA.12 ZP	
186	54566 1	MUELLE TRACCION Ø 3/25 71/123,5	SPRING DIA.3/25 71/123,5	
198	54781 1	SOPORTE RUEDAS DC-250 V2	WHEEL SUPPORT DC-250 V2	
199	54444 1	BASE INTERRUPTOR 85X85X34 2M16 1M20	SWITCH BASE 85X85X34 2M16 1M20	
200	54859 4	TORN ISO 7380 M8X60 10.6 ZN	SCREW ISO 7380 M8X60 10.6 ZP	
201	52032 1	MUELLE COMPRESION 15X12 Ø1,5	COMPRESSION SPRING 15X12 Ø1,5	
202	12102 1	POMO M10X25 PA	PLASTIC KNOB M10X25 PA	
203	56334 2	TORN DIN 7985 M5X50 6.8 ZN	SCREW DIN 7985 M5X50 6.8 ZP	



## E2



Part-list	ES	EN	Prod.	
160	54780 1	SOPORTE MOTOR DC-250 V3	MOTOR BRAKE DC-250 V3	
169	83035 2	TUERCA DIN 6923 M6 CL8 ZN	NUT DIN 6923 M6 CL8 ZP	
173	45055 1	TUERCA DIN 934 M8 CL8 ZN	HEX NUT DIN 934 M8 CL8 ZP	
174	17332 1	TAPON POMO M8 ROJO	RED KNOB CAP M8	
175	54785 1	POMO M8 ROJO LARGO	LONG RED KNOB M8	
176	52018 1	TUBO Ø 9X12X182,5 ZN	TUBE Ø 9X12X182,5 ZP	
177	54782 1	CASQ ISC Ø12XØ15X5 C/VALONA	BUSHING ISC Ø12XØ15X5	
178	54866 4	TORN DIN 933 M6X12 10.9 ZN	SCREW M6X12 DIN 933 10.9	
179	45038 4	ARAND DIN 9021 A6,4 ZN	WASHER DIN 9021 A6,4 ZP	
180	52120 4	TUERCA M6 3X10X20 6.8 ZN	NUT M6 3X10X20 6.8 ZP	
181	56034 1	TORN DIN 912 M4X12 INOX A2	SCREW DIN 912 M4x12 8.8 SS A2	
182	65257 1	TUERCA DIN 985 M4 CL8 ZN AUTOBLOC	HEX LOCK NUT DIN 985 M4 CL8 ZP	
183	45343 1	ARAND DIN 6798 A4,3X8 INOX A2	WASHER DIN 6798 A4,3X8 SS A2	
187	57430 8	RODAMIENTO 608 8X22X7 2RS1	BEARING 608 8X22X7 2RS1	
188	55048 4	TUERCA DIN 985 M8 CL8 ZN AUTOBL.	HEX LOCK NUT DIN 985 M8 CL8 ZP	
189	52099 4	ARAND Ø 8,4 CONICA ESTRIADA AET	WASHER DIA.8,4	
190	54798 4	RUEDA ESTANDAR PARA DC/DV/DS/DX	STANDARD WHEEL FOR DC/DV/DS/DX	
191	54757 4	CASQ Ø12XØ8X6	BUSHING Ø12XØ8X6	
192	54756 4	DISTANCIADOR RUEDA EST.DC/DV/DS/DX V2	WHEEL SEPARATOR DC/DV/DS/DX V2	
193	55047 5	ARAND DIN 9021 A8,4 ZN	WASHER DIN 9021 A8,4 ZP	
194	54575 1	TORN DIN 603 M8X225 8.8 ZN CC2	SCREW DIN 603 M8X225 8.8 ZP CC2	
195	54784 1	ASA DC-250	HANDLE DC-250	
196	18214 1	MANGUITO Ø31/22X130	HANDGRIP Ø31/22X130	
197	18211 1	TAPON PLASTICO MANGO Ø31/22	PLASTIC CAP GRIP Ø31/22	
204	55431 1	CABLE TIERRA 1425X1,5MM	GROUND CONNECTION 1425X1,5MM	54924/33/34/35/36/97
204	55448 1	CABLE TIERRA 1650X1,5MM	GROUND CONNECTION 1650X1,5MM	55941/42/43/44/48/98