

DU-200 EVO



Ref.explod 92088

05-06

01/03/2016

Product. 55903, 55905, 55906, 55907, 55938, 55939, 55949

Part-list	A	ES	EN	DE	FR	
1	19692	1	MOTOR 110V 50HZ 0,8KW SIN PLATOS	MOTOR 110V 50HZ 0,8KW WO/PLATES	MOTOR 110V 50HZ 0,8KW WO/PLATES	MOTOR 110V 50HZ 0,8KW WO/PLATES
1	19693	1	MOTOR 120V 60HZ 0,8KW SIN PLATOS	MOTOR 120V 60HZ 0,8KW WO/PLATES	MOTOR 120V 60HZ 0,8KW WO/PLATES	MOTOR 120V 60HZ 0,8KW WO/PLATES
1	19684	1	MOTOR 220V 60HZ 0,8KW SIN PLATOS	MOTOR 220V 60HZ 0,8KW WO/PLATES	MOTOR 220V 60HZ 0,8KW WO/PLATES	MOTOR 220V 60HZ 0,8KW WO/PLATES
1	19158	1	MOTOR 230V 50HZ 0,8KW SIN PLATOS	MOTOR 230V 50HZ 0,8KW WO/PLATES	MOTOR 230V 50HZ 0,8KW WO/PLATES	MOTOR 230V 50HZ 0,8KW WO/PLATES
2	19160	1	PLATO INTERIOR DYNAMIC-200 GSB	INNER PLATE DYNAMIC-200 DIY	INNER PLATE DYNAMIC-200 DIY	INNER PLATE DYNAMIC-200 DIY
2	19763	1	PLATO INTERIOR DYNAMIC-200 GSB "A"	INNER PLATE DYNAMIC-200 DIY "A"	INNER PLATE DYNAMIC-200 DIY "A"	INNER PLATE DYNAMIC-200 DIY "A"
3	19161	1	PLATO EXTERIOR DYNAMIC-200 GSB	OUTTER PLATE DYNAMIC-200 DIY	OUTTER PLATE DYNAMIC-200 DIY	OUTTER PLATE DYNAMIC-200 DIY
3	19764	1	PLATO EXTERIOR DYNAMIC-200 GSB "A"	OUTTER PLATE DYNAMIC-200 DIY "A"	OUTTER PLATE DYNAMIC-200 DIY "A"	OUTTER PLATE DYNAMIC-200 DIY "A"
4	55463	1	SOPORTE MOTOR DU-200 EVO	SOPORTE MOTOR DU-200 EVO	SOPORTE MOTOR DU-200 EVO	SOPORTE MOTOR DU-200 EVO
5	19689	2	CJ.EJE CON RODAMIENTO DYNAMIC GSB	SHAFT WITH BEARING DYNAMIC DIY	SHAFT WITH BEARING DYNAMIC DIY	SHAFT WITH BEARING DYNAMIC DIY
6	19555	2	CJ.EJE EXC.CON RODAMIENTO DYNAMIC GSB	ECC.SHAFT WITH BEARING DYNAMIC DIY	ECC.SHAFT WITH BEARING DYNAMIC DIY	ECC.SHAFT WITH BEARING DYNAMIC DIY
7	56238	1	ARAND DIN 9021 A5,3 ZN	WASHER DIN 9021 A5,3 ZN	UNTERLEGSSCHEIBE DIN 9021 A5,3 ZN	WASHER DIN 9021 A5,3 ZN
8	40020	5	TUERCA DIN 985 M6 8.8 ZN AUTOBLOC	NUT DIN 985 M6 ZN SELFLOCKER	SELBSTSCHLIEßENDE MUTTER DIN 985 M6 ZINK	TUERCA DIN 985 M6 ZN AUTOBLOC
9	19625	1	CLIP FIJACION CARRO DYNAMIC	RETAINING CLIP DYNAMIC CUTTING HEAD	RETAINING CLIP DYNAMIC CUTTING HEAD	RETAINING CLIP DYNAMIC CUTTING HEAD
10	45343	1	ARAND DIN 6798 A4,3X8	WASHER DIN 6798 A4,3X8	UNTERLEGSSCHEIBE DIN 6798 A4,3X8	ARAND DIN 6798 A4,3X8
11	55482	1	TORN DIN 7981-F 3,9X9,5 ZN	SCREW DIN 7981-F 3,9X9,5 ZN	SCREW DIN 7981-F 3,9X9,5 ZN	SCREW DIN 7981-F 3,9X9,5 ZN
12	52095	1	BRIDA TUBO DIA.28 DX-250	TUBE FLANGE DIA.28 DX-250	ROHRFLANSCH Ø28 DX-250	BRIDA TUBO DIA.28 DX-250
14	55486	1	CJ.MANGO RESTYLING DU EVO	CJ.MANGO RESTYLING DU EVO	CJ.MANGO RESTYLING DU EVO	CJ.MANGO RESTYLING DU EVO
15	45051	3	TORN DIN 912 M6X16 ZN	SCREW DIN 912 M6X16 ZN	SCHRAUBE DIN 912 M6X16 ZN	TORN DIN 912 M6X16 ZN
16	55478	1	ENCHUFE CABLE 3X1 2,8M 230V UK C/TERM.	CABLE PLUG 3X1 2,8M 230V UK	CABLE PLUG 3X1 2,8M 230V UK	CABLE PLUG 3X1 2,8M 230V UK
16	19174	1	ENCHUFE CABLE 3X1 2,8M DYNAMIC-200 GSB	CABLE PLUG 3X1 2,8M	CABLE PLUG 3X1 2,8M	CABLE PLUG 3X1 2,8M
16	55479	1	ENCHUFE CABLE 3X1,5 2,8M 110V C/TERM.	CABLE PLUG 3X1,5 2,8M 110V	CABLE PLUG 3X1,5 2,8M 110V	CABLE PLUG 3X1,5 2,8M 110V
16	55477	1	ENCHUFE CABLE 3X1,5 2,8M 110V UK C/TERM.	CABLE PLUG 3X1,5 2,8M 110V UK	CABLE PLUG 3X1,5 2,8M 110V UK	CABLE PLUG 3X1,5 2,8M 110V UK
17	55454	1	TAPA DISCO POSTERIOR Ø200 M15	BACK BLADE COVER Ø200 M15	BACK BLADE COVER Ø200 M15	BACK BLADE COVER Ø200 M15
18	24232	4	TORN ISO 7380 M5X16 10.9 ZN	BOLT ISO 7380 M5X16 10.9 ZN	SCHRAUBE BOLT ISO-7380 M5x16 10.9 ZN	BOLT ISO 7380 M5X16 10.9 ZN
19	55456	1	DIFUSOR AGUA REFRIGERACION Ø6 M15	DIFUSOR AGUA REFRIGERACION Ø6 M15	DIFUSOR AGUA REFRIGERACION Ø6 M15	DIFUSOR AGUA REFRIGERACION Ø6 M15
20	55453	1	TAPA DISCO ANTERIOR Ø200 M15	FRONT BLADE COVER Ø200 M15	FRONT BLADE COVER Ø200 M15	FRONT BLADE COVER Ø200 M15
21	55458	1	EJE TAPAS DISCO Ø200 M15	BLADE COVER AXLE Ø200 M15	BLADE COVER AXLE Ø200 M15	BLADE COVER AXLE Ø200 M15
22	55457	1	PROTECTOR AGUA DISCO Ø200 M15	BLADE WATER PROTECTOR Ø200 M15	BLADE WATER PROTECTOR Ø200 M15	BLADE WATER PROTECTOR Ø200 M15

Queda reservado el derecho de introducir cualquier modificacion técnica sin previo aviso
We reserve the right to introduce any technical modification without previous notice

Wir behalten uns das Recht vor, jede notwendige technische Änderung ohne
vorherige Ankündigung an unseren Produkten vorzunehmen.
Il est réservé le droit à introduire une modification technique sans préavis.

DU-200 EVO



Ref.explod 92088

05-06

01/03/2016

Product. 55903, 55905, 55906, 55907, 55938, 55939, 55949

23	56438	1	TUERCA DIN 936 M12 IZQ ZN	NUT DIN 936 M12 ESQ.ZN	MUTTER DIN 936 M12 LINKS 8.8 ZN	TUERCA DIN 936 M12 IZQ ZN
24	57456	1	ARRANCADOR 230V 50HZ BALANCIN	STARTER 230V 50HZ	SCHALTER 230V 50HZ WIEGE	DEMARREUR 230V 50HZ
24	40060	1	INTERRUP.AC120V 50/60HZ E-T-A	SWITCH AC120V 50/60HZ E-T-A	INTERRUP.AC120V 50/60HZ E-T-A	INTERRUP.AC120V 50/60HZ E-T-A

Part-list	B	ES	EN	DE	FR	
1	55708	1	CJ.CHASIS DU-200 EVO CON DECANTADOR	CHASIS DU-200 EVO W/WATER PLATE	CHASIS DU-200 EVO W/WATER PLATE	CHASIS DU-200 EVO W/WATER PLATE
2	19157	1	PATA TRASERA DYNAMIC-200 GSB	BACK LEG DYNAMIC-200 DIY	BACK LEG DYNAMIC-200 DIY	BACK LEG DYNAMIC-200 DIY
3	19156	1	PATA DELANTERA DYNAMIC-200 GSB	FRONT LEG DYNAMIC-200 DIY	FRONT LEG DYNAMIC-200 DIY	FRONT LEG DYNAMIC-200 DIY
4	19183	4	CONTERA REDONDEADA Ø25 H=8 E=1.5	DOMED ROUND INSERT Ø25 H=8 E=1.5	DOMED ROUND INSERT Ø25 H=8 E=1.5	DOMED ROUND INSERT Ø25 H=8 E=1.5
5	19752	4	CLIP TUBO Ø25	CLIP TUBO Ø25	CLIP TUBO Ø25	CLIP TUBO Ø25
6	19690	4	TUERCA DIN 6926 M8 6 ZN	NUT DIN 6926 M8 6 ZN	NUT DIN 6926 M8 6 ZN	NUT DIN 6926 M8 6 ZN
7	51410	4	TORN ISO 7380 AR M8X45 10.9 ZN	BOLT ISO 7380 WASHER M8X45 10.9 ZN	BOLT ISO 7380 WASHER M8X45 10.9 ZN	BOLT ISO 7380 WASHER M8X45 10.9 ZN
8	19753	2	TOPE PATAS DYNAMIC V2	LEG RETAINER DYNAMIC V2	LEG RETAINER DYNAMIC V2	LEG RETAINER DYNAMIC V2
9	55465	1	BRAZO POSTERIOR DU-200 EVO	BRAZO POSTERIOR DU-200 EVO	BRAZO POSTERIOR DU-200 EVO	BRAZO POSTERIOR DU-200 EVO
10	55464	1	BRAZO ANTERIOR DU-200 EVO	BRAZO ANTERIOR DU-200 EVO	BRAZO ANTERIOR DU-200 EVO	BRAZO ANTERIOR DU-200 EVO
11	19144	1	GUIA DYNAMIC-200 GSB L=895 MM	GUIDE DYNAMIC-200 DIY L=895 MM	GUIDE DYNAMIC-200 DIY L=895 MM	GUIDE DYNAMIC-200 DIY L=895 MM
12	55417	1	ABRAZADERA CABLEADO DC-250 NEGRA	CABLE CLAMP DC-250	ABRAZADERA CABLEADO DC-250 NEGRA	ABRAZADERA CABLEADO DC-250 NEGRA
13	19178	2	TORN DIN 6921 M6X12 ZN	SCREW DIN 6921 M6X12 ZN	SCREW DIN 6921 M6X12 ZN	SCREW DIN 6921 M6X12 ZN
14	54242	6	TORN DIN 912 M6X20 ZN TRILOB.	SCREW DIN 912 M6X20 TRILOB.	SCHRAUBE DIN 912 M6X20 TRILOB.	TORN DIN 912 M6X20 TRILOB.
15	45343	2	ARAND DIN 6798 A4,3X8	WASHER DIN 6798 A4,3X8	UNTERLEGSCHIEBE DIN 6798 A4,3X8	ARAND DIN 6798 A4,3X8
16	55482	2	TORN DIN 7981-F 3,9X9,5 ZN	SCREW DIN 7981-F 3,9X9,5 ZN	SCREW DIN 7981-F 3,9X9,5 ZN	SCREW DIN 7981-F 3,9X9,5 ZN
17	54483	1	CABLE TIERRA BRAZO 100X2,5MM	GROUND WIRE ARM 100X2,5MM	ERDUNGSKABEL ARM 100X2,5MM	CABLE TIERRA BRAZO 100X2,5MM
18	45342	1	ASA PLASTICO	PLASTIC HANDLE	KUNSTSTOFFGRIFF	ASA PLASTICO
19	17722	2	SOPORTE RUEDA Ø76	SOPORTE RUEDA Ø76	SOPORTE RUEDA Ø76	SOPORTE RUEDA Ø76
20	40020	9	TUERCA DIN 985 M6 8.8 ZN AUTOBLOC	NUT DIN 985 M6 ZN SELFLOCKER	SELBSTSCHLIEßENDE MUTTER DIN 985 M6 ZINK	TUERCA DIN 985 M6 ZN AUTOBLOC
21	54597	2	TUERCA DIN 439 M8 ZN	NUT DIN 439 M8 ZN	MUTTER DIN 439 M8 ZN	NUT DIN 439 M8 ZN
22	47142	2	TORN DIN 7984 M8X16 ZN	SCREW DIN 7984 M8X16 ZN	TORN DIN 7984 M8X16 ZN	TORN DIN 7984 M8X16 ZN
23	19612	1	ARAND DIN 6798-A M5 PV	SERRATED LOCK WASHER DIN 6798-A M5 PV	SERRATED LOCK WASHER DIN 6798-A M5 PV	SERRATED LOCK WASHER DIN 6798-A M5 PV
24	19615	1	CABLE TIERRA 1000X1,5MM	GROUND WIRE 1000X1,5MM	GROUND WIRE 1000X1,5MM	GROUND WIRE 1000X1,5MM
25	52095	1	BRIDA TUBO DIA.28 DX-250	TUBE FLANGE DIA.28 DX-250	ROHRFLANSCH Ø28 DX-250	BRIDA TUBO DIA.28 DX-250
26	54301	1	TUBO FLEXIBLE NEGRO DIA 22 INT.	BLACK CABLE PIPE DIA 22 INT.	FLEXIBLES ROHR SCHWARZ INNENØ22	BLACK CABLE PIPE DIA 22 INT.

Queda reservado el derecho de introducir cualquier modificacion técnica sin previo aviso
We reserve the right to introduce any technical modification without previous notice

Wir behalten uns das Recht vor, jede notwendige technische Änderung ohne vorherige Ankündigung an unseren Produkten vorzunehmen.
Il est réservé le droit à introduire une modification technique sans préavis.

DU-200 EVO



Ref.explod **92088** **05-06** **01/03/2016** Product. **55903, 55905, 55906, 55907, 55938, 55939, 55949**

27	55381	1	ETIQ.SEGURIDAD MAQ.ELECTRICA V2	LABEL SECURITY V2	SICHERHEITSAUFKLEBER ELEKTROMASCHINEV2	LABEL SECURITY V2
29	55466	1	ETIQ.CHASIS DU-200 EVO	ETIQ.CHASIS DU-200 EVO	ETIQ.CHASIS DU-200 EVO	ETIQ.CHASIS DU-200 EVO
30	54573	2	TORN DIN 603 M6X35 8.8 ZN CC2	SCREW DIN 603 M6X35 8.8 ZN CC2	SCREW DIN 603 M6X35 8.8 ZN CC2	SCREW DIN 603 M6X35 8.8 ZN CC2
31	55468	2	POMO M6 ROJO LARGO	POMO M6 ROJO LARGO	POMO M6 ROJO LARGO	POMO M6 ROJO LARGO
32	57485	2	TAPON POMO M6 ROJO	RED COVER KNOB M6	GRIFFSTOPFEN M6 ROT	TAPON POMO M6 ROJO
33	17721	2	RUEDA Ø76X24 SHORE A 82	WHEEL Ø76X24 SHORE A 82	WHEEL Ø76X24 SHORE A 82	WHEEL Ø76X24 SHORE A 82
34	55462	1	DEPOSITO AGUA DU-200 EVO	DEPOSITO AGUA DU-200 EVO	DEPOSITO AGUA DU-200 EVO	DEPOSITO AGUA DU-200 EVO
35	65448	1	CASQ 6,5X10X15 POM	CASQ 6,5X10X15 POM	CASQ 6,5X10X15 POM	CASQ 6,5X10X15 POM
36	12309	1	TORN DIN 912 M5X25 ZN	SCREW DIN 912 M5X25 ZN	SCHRAUBE DIN 912 M5X25 ZINK	SCREW DIN 912 M5X25 ZN
37	40045	1	TUERCA DIN 985 M5 ZN AUTOBLOC	NUT DIN 985 M5 ZN AUTOBLOC	SELBSTSCHLIEßENDE MUTTER DIN 985 M5 ZINK	TUERCA DIN 985 M5 ZN AUTOBLOC
38	25750	1	CJ.BOMBA AGUA 110V B80 8W IP28 2M ETIQ	PUMP L=2M 110V B80 8W 2M WITH LABEL	PUMP L=2M 110V B80 8W 2M WITH LABEL	PUMP L=2M 110V B80 8W 2M WITH LABEL
38	25632	1	CJ.BOMBA AGUA 230/50 B80 8W IP28 2M ETIQ	PUMP L=2M 230/50 B80 8W 2M WITH LABEL	PUMP L=2M 230/50 B80 8W 2M WITH LABEL	PUMP L=2M 230/50 B80 8W 2M WITH LABEL
39	19720	1	TOPE DER.MESA DYNAMIC-200 MM GRABADO	TOPE DER.MESA DYNAMIC-200 MM GRABADO	TOPE DER.MESA DYNAMIC-200 MM GRABADO	TOPE DER.MESA DYNAMIC-200 MM GRABADO
40	19722	1	TOPE IZQ.MESA DYNAMIC-200 MM GRABADO	TOPE IZQ.MESA DYNAMIC-200 MM GRABADO	TOPE IZQ.MESA DYNAMIC-200 MM GRABADO	TOPE IZQ.MESA DYNAMIC-200 MM GRABADO
41	19685	1	ETIQ.PRECAUCION BOMBA B80 V2	LABEL WARNING PUMP B80 V2	LABEL WARNING PUMP B80 V2	LABEL WARNING PUMP B80 V2
42	55487	2	BULON RUEDA DU-200 EVO	BULON RUEDA DU-200 EVO	BULON RUEDA DU-200 EVO	BULON RUEDA DU-200 EVO
43	84007	2	CLIP CL 8	CLIP CL 8	CLIP CL 8	CLIP CL 8
44	19576	4	TORN M5X10 ZN TORX TRILOBULAR	BOLT M5X10 ZN TORX TRILOB.	BOLT M5X10 ZN TORX TRILOB.	BOLT M5X10 ZN TORX TRILOB.
45	56368	1	PVC CRISTAL DIA 6X10	PIPE PVC DIA 6X10 1.6 M	PVC CRISTAL DIA 6X10	PVC CRISTAL DIA 6X10
46	45051	1	TORN DIN 912 M6X16 ZN	SCREW DIN 912 M6X16 ZN	SCHRAUBE DIN 912 M6X16 ZN	TORN DIN 912 M6X16 ZN
47	25177	2	ARAND DIN 125 A6,5 ZN	WASHER DIN 125 M6 8.8 ZN	UNTERLEGSSCHEIBE DIN 125 A6,5 ZN	ARAND DIN 125 A6,5 ZN
48	61069	4	TORN DIN 912 M6X10 ZN TRILOB.	SCREW DIN 912 M6X10 ZN TRILOB.	SCHRAUBE DIN 912 M6X10 ZINK TRILOB	TORN DIN 912 M6X10 ZN TRILOB.
49	54449	1	CINTA MM TOPE MESA DW-250-N/NL	LABEL TABLE TOP MM DW-250-N/NL	BAND MM ANSCHLAG TISCH DW-250-N-NL	LABEL TABLE TOP MM DW-250-N/NL
49	54450	1	CINTA PULGADAS TOPE MESA DW-250-N/NL	LABEL TABLE TOP INCH DW-250-N/NL	BAND ZOLL ANSCHLAG TISCH DW-250-N-NL	LABEL TABLE TOP INCH DW-250-N/NL

Part-list		C	ES	EN	DE	FR
1	25667	1	TOPE LATERAL DU-BL/DW-N V2	SIDER SUPPORT DU-BL/DW-N V2	SIDER SUPPORT DU-BL/DW-N V2	SIDER SUPPORT DU-BL/DW-N V2
2	25337	1	GUIA TOPE 45 GRADOS DU-BL/DW-N	GUIDE STOPPER 45 DEGREE DU-BL/DW-N	GUIDE STOPPER 45 DEGREE DU-BL/DW-N	GUIDE STOPPER 45 DEGREE DU-BL/DW-N
3	25338	1	POMO HEMBRA M6 NEGRO	KNOB FEMALE M6 BLACK	KNOB FEMALE M6 BLACK	KNOB FEMALE M6 BLACK
4	25339	1	POMO M5X10 NEGRO	KNOB M5X10 BLACK	KNOB M5X10 BLACK	KNOB M5X10 BLACK
5	25335	1	PLANCHA LAT.33X7,5 M5 DU-BL/DW-N	SHEET SIDE 33X7,5 M5 DU-BL/DW-N	SHEET SIDE 33X7,5 M5 DU-BL/DW-N	SHEET SIDE 33X7,5 M5 DU-BL/DW-N

Queda reservado el derecho de introducir cualquier modificacion técnica sin previo aviso
We reserve the right to introduce any technical modification without previous notice

Wir behalten uns das Recht vor, jede notwendige technische Änderung ohne vorherige Ankündigung an unseren Produkten vorzunehmen.
Il est réservé le droit à introduire une modification technique sans préavis.

DU-200 EVO



Ref.explod **92088**

05-06

01/03/2016

Product. **55903, 55905, 55906, 55907, 55938, 55939, 55949**

6 25839 1 C.J.TOPE LATERAL DU-L

LATERAL STOP SET DU-L

LATERAL STOP SET DU-L

LATERAL STOP SET DU-L

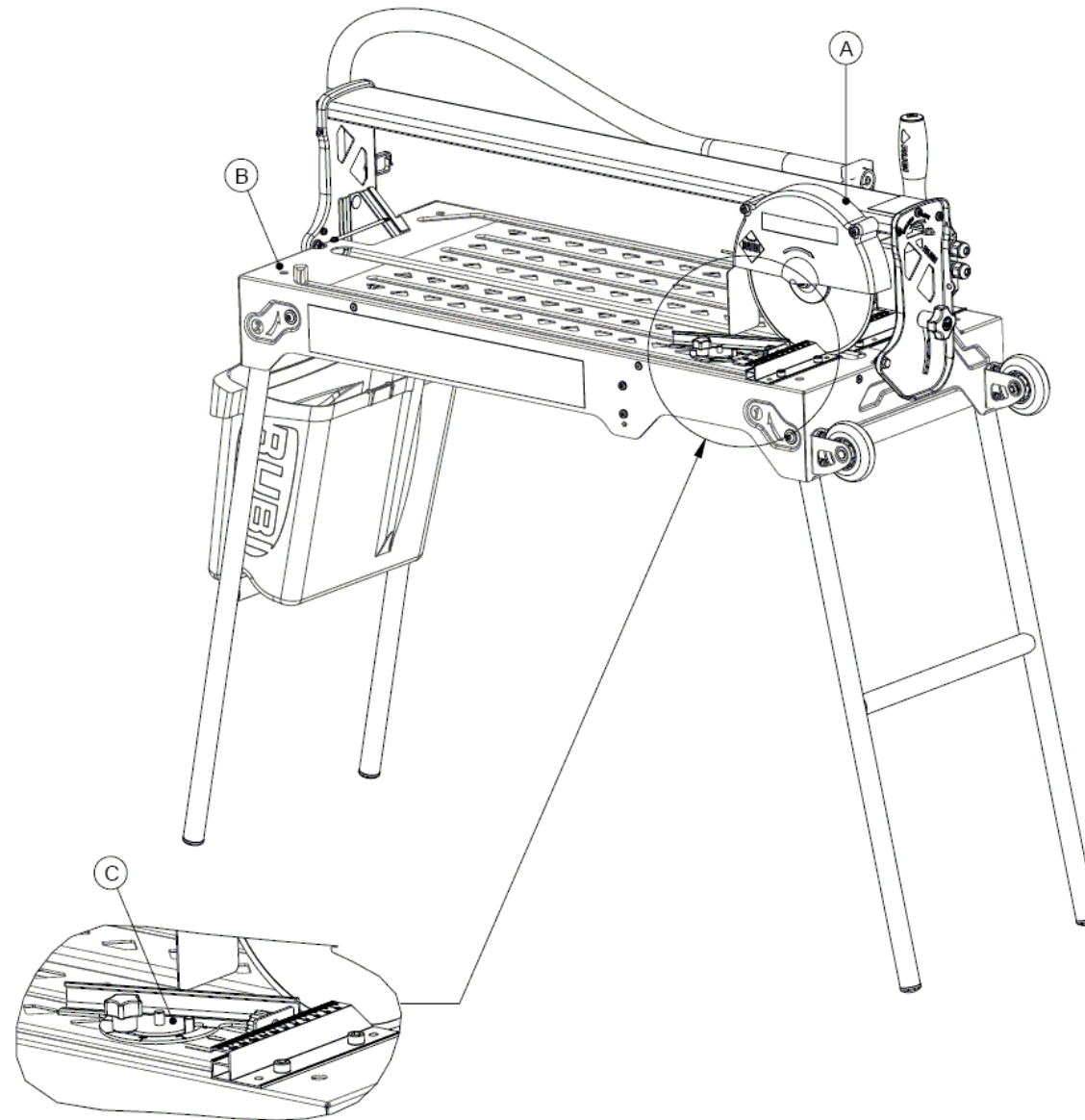
DU-200 EVO

Ref.explod 92088

05-06

01/03/2016

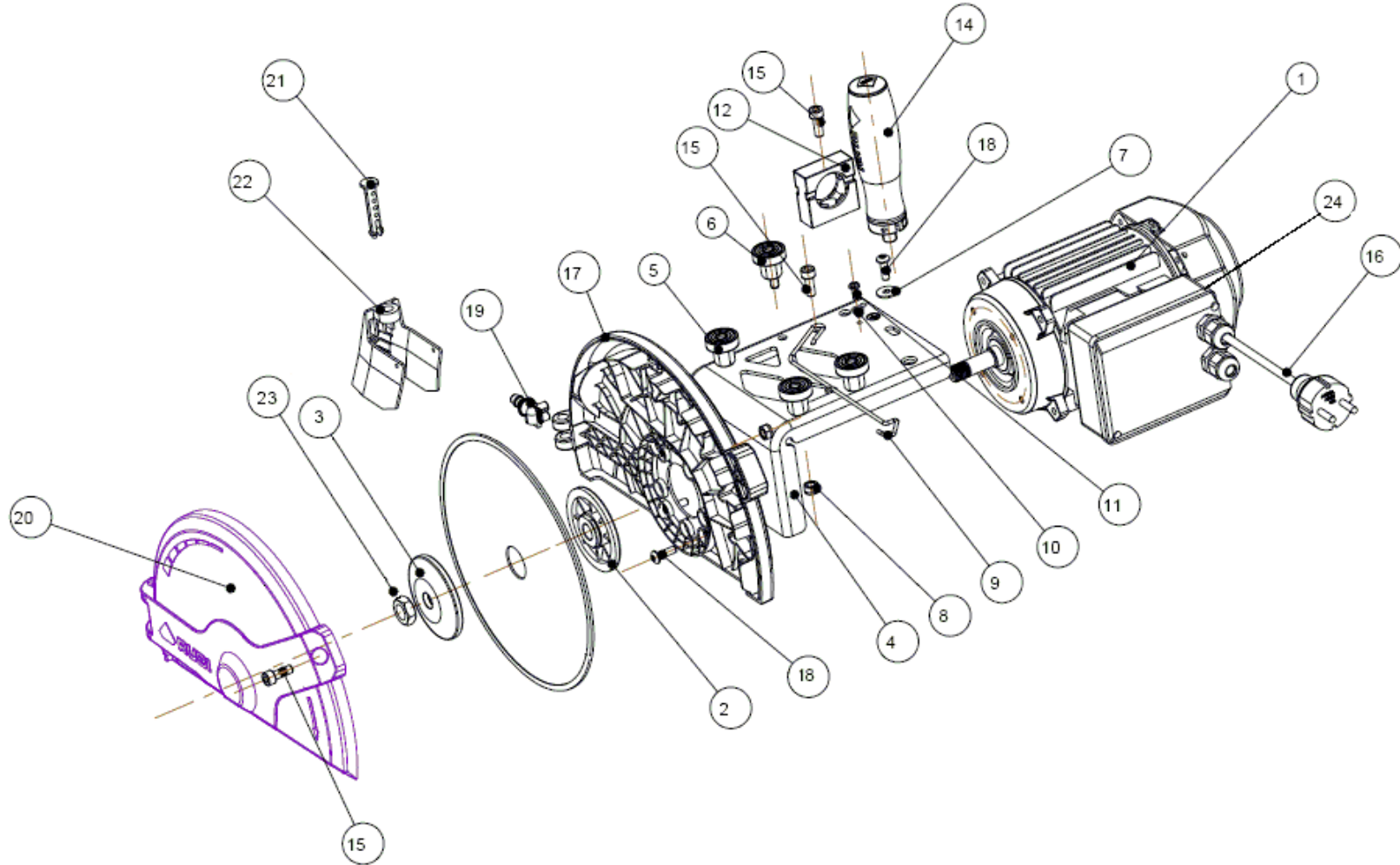
Product. 55903, 55905, 55906, 55907, 55938, 55939, 55949

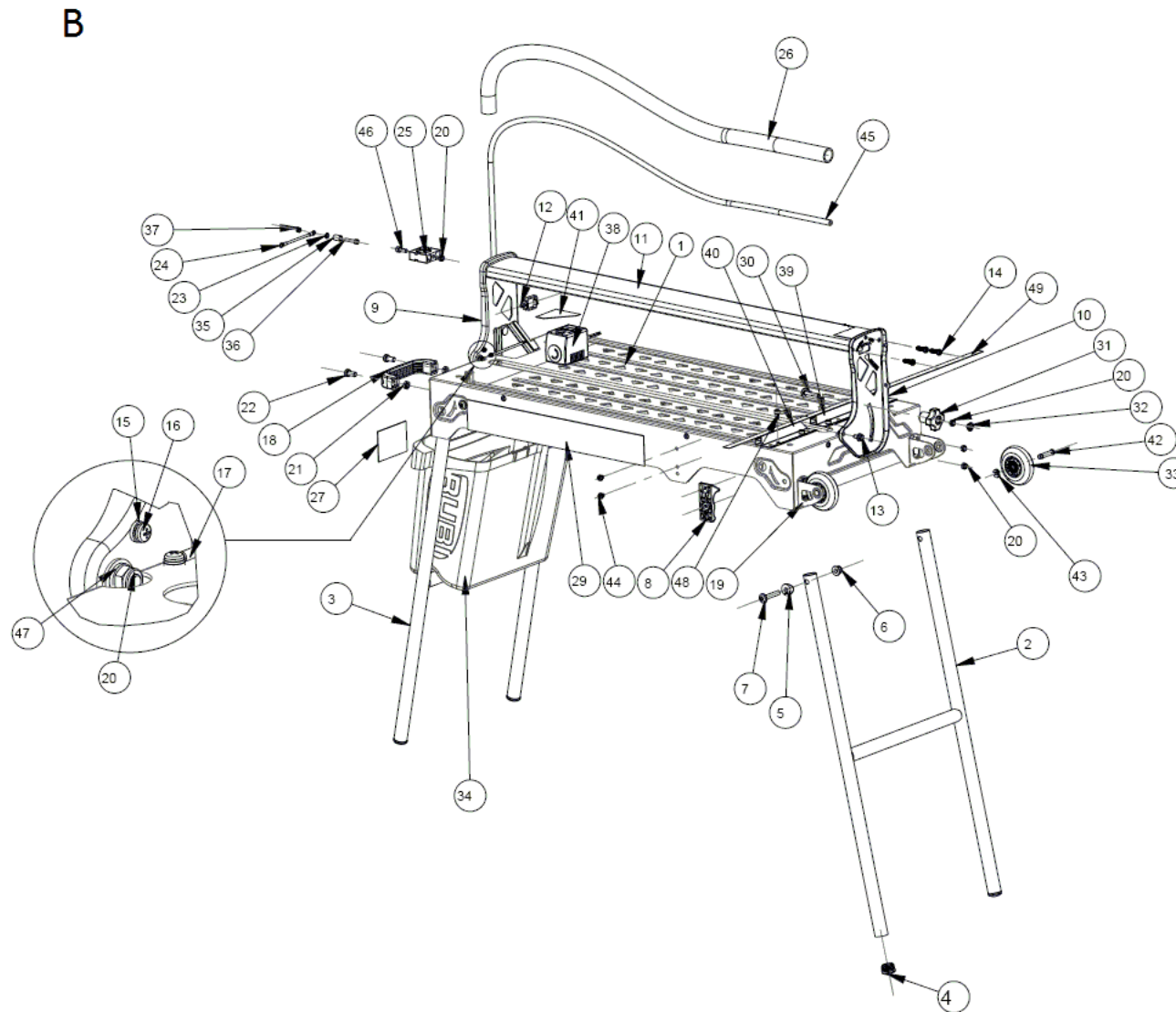


Queda reservado el derecho de introducir cualquier modificación técnica sin previo aviso
We reserve the right to introduce any technical modification without previous notice

Wir behalten uns das Recht vor, jede notwendige technische Änderung ohne
vorherige Ankündigung an unseren Produkten vorzunehmen.
Il est réservé le droit à introduire une modification technique sans préavis.

A





C

