

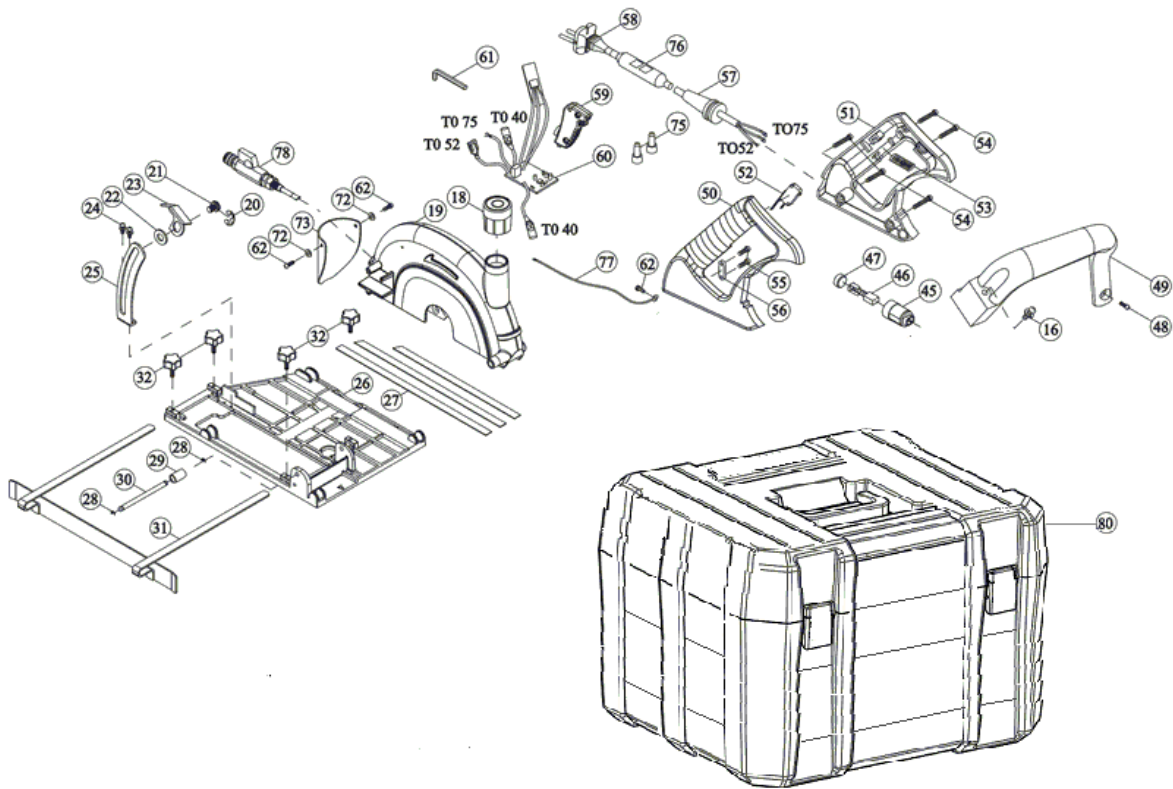
| Part-list | ES | EN | Prod. |
|-----------|-----------|---------|-------|
| 1 | A GRUPO A | GROUP A | |
| 2 | B GRUPO B | GROUP B | |

| Prod. | ES | EN | From serial num. |
|-------|--|---------------------------------------|------------------|
| 50939 | CORTADORA CIRCULAR TC-180 230V 50/60HZ | CIRCULAR HAND SAW TC-180 230V 50/60HZ | - |

Queda reservado el derecho de introducir cualquier modificacion técnica sin previo aviso

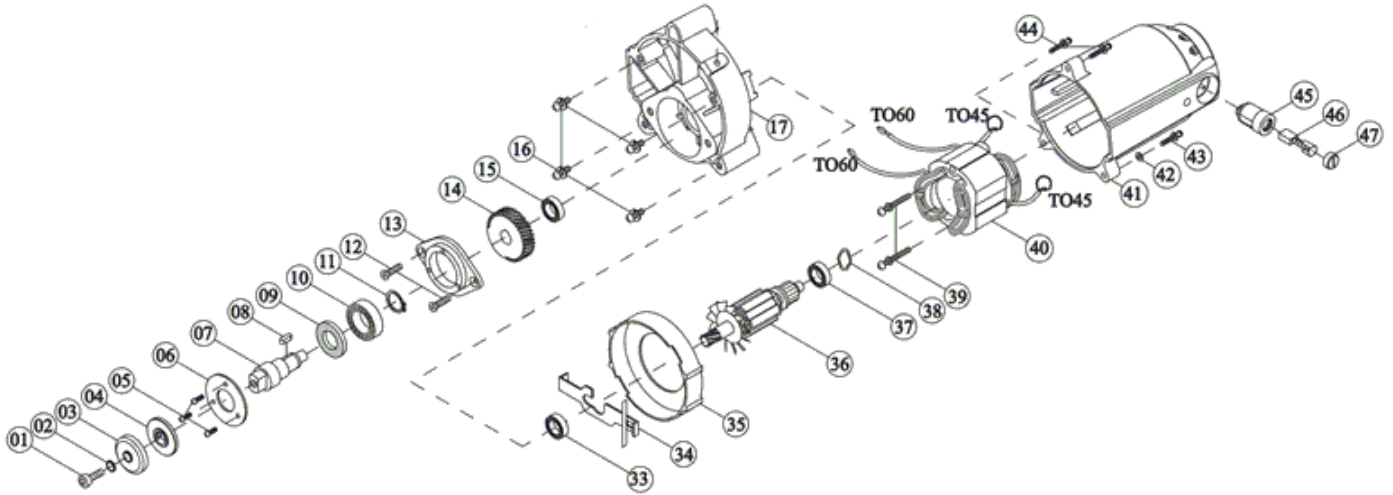
We reserve the right to introduce any technical modification without previous notice

A



| Part-list | ES | EN | Prod. |
|-----------|---------|--|-----------------------------------|
| 18 | 51311 1 | TAPON MANGUERA TC-180 | HOSE CAP TC-180 |
| 20 | 51628 1 | ANILLO ELAST.DIN 6799 Ø 10 | CIRCLIP DIN 6799 Ø 10 |
| 21 | 51646 1 | TORN FRENO PROFUNDIDAD TC-180 | DEPH STOP BOLT TC-180 |
| 22 | 51644 1 | ARAND PLANA Ø8xØ20x1 | FLAT WASHER Ø8xØ20x1 |
| 23 | 51645 1 | PALANCA FRENO TC-180 | DEPTH STOP LEVER TC-180 |
| 24 | 50663 2 | TORN DIN 7985 M4X8 6.8 ZN | SCREW DIN 7985 M4X8 6.8 ZP |
| 25 | 51434 1 | GUIA TOPE PROFUNDIDAD TC-180 | DEPTH STOP TRACK TC-180 |
| 26 | 51313 1 | BASE TC-180 | BASE TC-180 |
| 27 | 51399 1 | CINTAS ANTIFRICCION TC-180 (25/28,5/29) | STRIPS TC-180 (25/28,5/29) |
| 29 | 51376 1 | CASQ Ø8.1XØ15.9X18.3 TC-180 | BUSHING Ø8.1XØ15.9X18.3 TC-180 |
| 31 | 51622 1 | TOPE LATERAL TC-180 | LATERAL STOP TC-180 |
| 32 | 51629 4 | POMO M5 TC-180 | THUMB KNOB M5 TC-180 |
| 45 | 51374 1 | PORTAESCOBILLAS TC-180 | BRUSH HOLDER TC-180 |
| 46 | 51347 1 | JUEGO ESCOBILLAS TC-180 (2 UN) | CARBON BRUSH SET TC-180 (2 UN) |
| 47 | 51375 1 | TAPA ESCOBILLA TC-180 | BRUSH CAP TC-180 |
| 52 | 51289 1 | INTERRUPTOR TC-180 230V | SWITCH TC-180 230V |
| 53 | 51377 1 | MUELLE Ø0.8XØ6.4XØ8X26LX9T TC-180 | SPRING Ø0.8XØ6.4XØ8X26LX9T TC-180 |
| 57 | 51407 1 | PROTECCION CABLE TC-180 | CORD ARMOR TC-180 |
| 58 | 51406 1 | CABLE ENCHUFE 1,5X3 3M TC-180 | POWER SUPPY CORD 1,5X3 3M TC-180 |
| 59 | 51378 1 | PULSADOR INTERRUPTOR TC-180 | SWITCH TRIGGER TC-180 |
| 60 | 51379 1 | PLACA ELECTRONICA 220V TC-180 | ELECTRONICS UNIT 220V TC-180 |
| 73 | 51382 1 | GOMA PROTECTORA TC-180 | RUBBER FENDER TC-180 |
| 76 | 51340 1 | PROTECCION CONTRA SOBRECARGA 220V TC-180 | OVERLOAD PROTECTION TC-180 |
| 78 | 51319 1 | KIT CONECTOR ALIMENTACION AGUA TC-180 | WATER FEED CONNECTOR KIT TC-180 |
| 80 | 51365 1 | MALETA TC-180 | CASE TC-180 |

B



| Part-list | ES | EN | Prod. |
|-----------|---------|---|------------------------------------|
| 1 | 51314 1 | TORN M8X20 TC-180 | SCREW M8X20 TC-180 |
| 2 | 51315 1 | ARAND Ø8XØ20X3 TC-180 | WASHER DIA.8X20X3 TC-180 |
| 3 | 51316 1 | PLATO EXTERIOR TC-180 | OUTER FLANGE TC-180 |
| 4 | 51317 1 | PLATO INTERIOR TC-180 22,2MM | INNER FLANGE TC-180 22,2MM |
| 9 | 51366 1 | ARAND FIELTRO Ø19xØ35x4 TC-180 | FELT PACKING Ø19xØ35x4 TC-180 |
| 10 | 51367 1 | RODAMIENTO DE BOLAS 6202 2NSE TC-180 | BALL BEARING 6202 2NSE TC-180 |
| 11 | 51368 1 | ARAND RETENCION EXTERNA TC-180 | EXTERNAL CIRCLIP TC-180 |
| 14 | 51369 1 | ENGRANAJE DE SALIDA TC-180 | OUTPUT GEAR TC-180 |
| 15 | 51370 1 | RODAMIENTO DE BOLAS 608 ZZ TC-180 | BALL BEARING 608 ZZ TC-180 |
| 17 | 51286 1 | CAJA ENGRANAJES TC-180 | GEAR BOX TC-180 |
| 33 | 51371 1 | RODAMIENTO DE BOLAS 6202LLU P.33 TC-180 | BALL BEARING 6202LLU POS.33 TC-180 |
| 34 | 51341 1 | PERNO DE CIERRE TC-180 | SPINDLE LOCK TC-180 |
| 35 | 51342 1 | TAPA VENTILADOR TC-180 | FAN SHROUD TC-180 |
| 36 | 51287 1 | ROTOR TC-180 230V | ROTOR TC-180 230V |
| 37 | 51372 1 | RODAMIENTO DE BOLAS 6202LLU P.37 TC-180 | BALL BEARING 6202LLU POS.37 TC-180 |
| 38 | 51373 1 | ARAND DE RESORTE TC-180 | WAVE SPRING WASHER TC-180 |
| 40 | 51288 1 | ESTATOR TC-180 230V | STATOR TC-180 230V |