

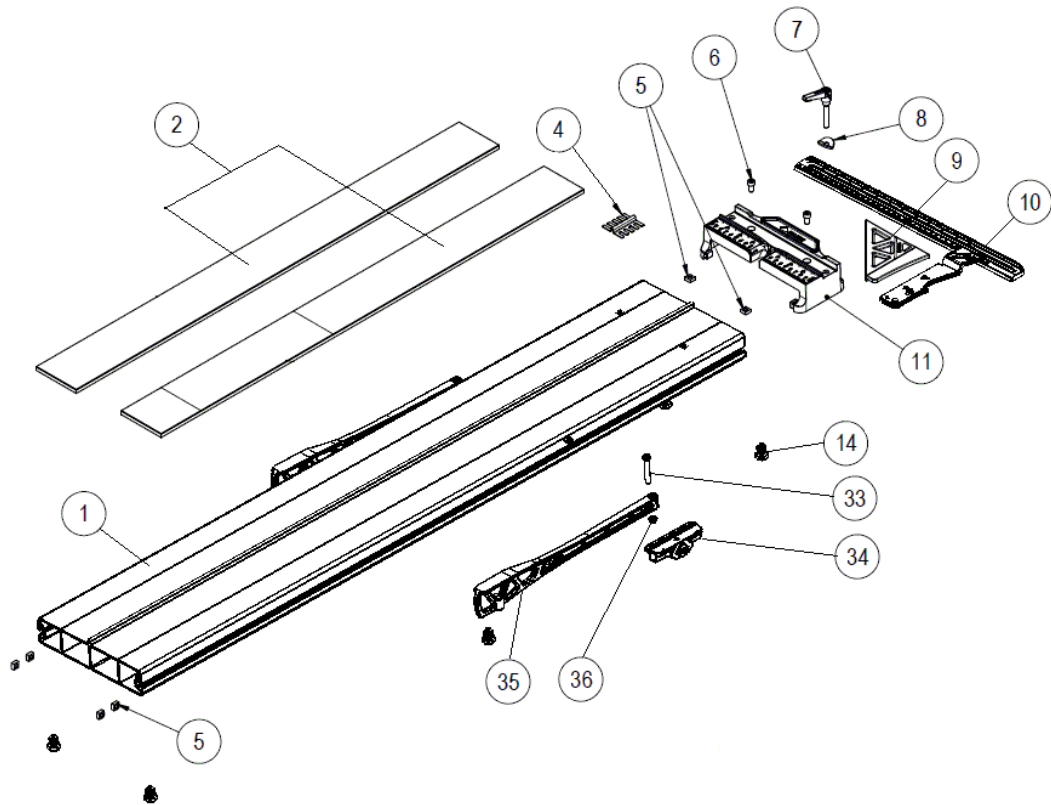
Part-list	ES	EN	Prod.	
1	A	GRUPO BASE TIGER-185	BASE GROUP TIGER-185	14962
2	A	GRUPO BASE TIGER-1000	BASE GROUP TIGER-1000	14966, 14978
3	B	GRUPO GUIAS Y SOPORTES	GUIDE AND SUPPORT GROUP	
4	C	GRUPO PORTHERRAMIENTAS Y SEPARADOR	TOOLHOLDER AND BREAKER GROUP	

Prod.	ES	EN	From serial num.
14962	TIGER-185 MAGNET (85CM)	TIGER-185 MAGNET (85CM)	TG004676
14966	TIGER-1000 MAGNET(100CM)-CORTADOR MANUAL	TIGER-1000 MAGNET (100CM)	TG004676
14978	TIGER-1000 MAGNET(100CM) C/BOLSA	TIGER-1000 MAGNET (100CM) W/BAG	TG004676

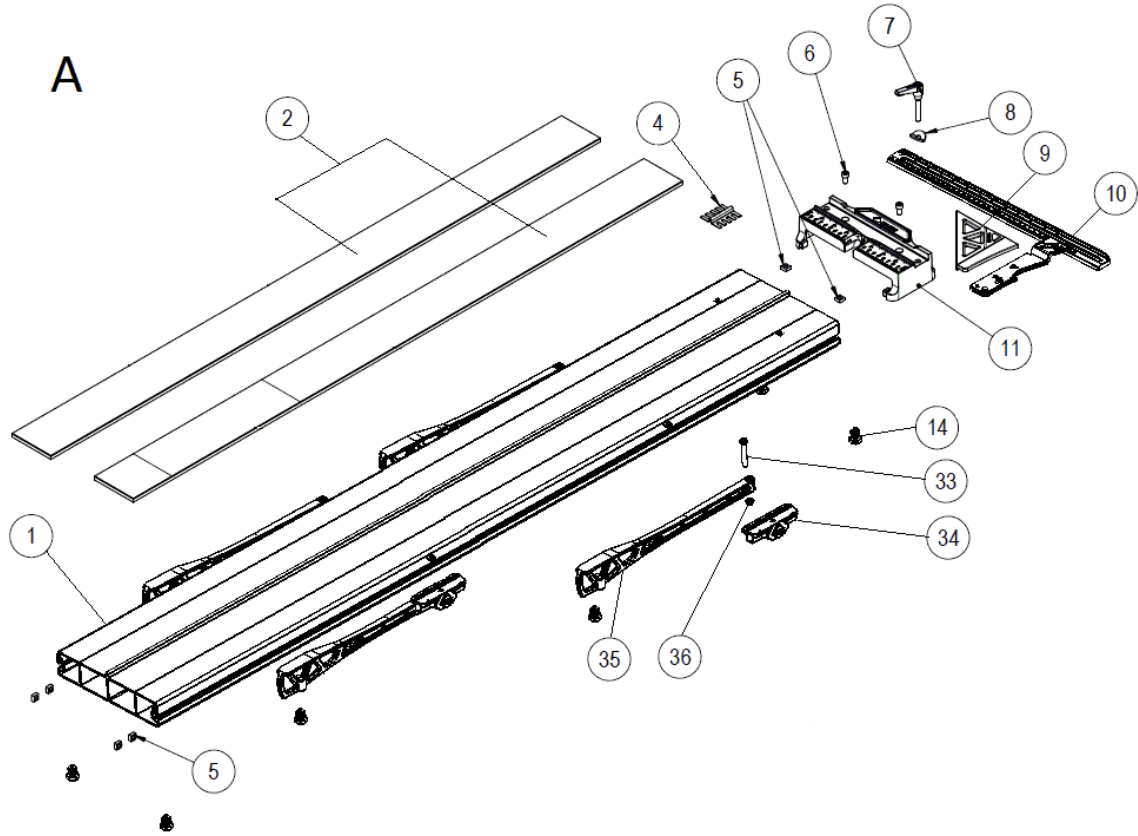
Queda reservado el derecho de introducir cualquier modificacion técnica sin previo aviso

We reserve the right to introduce any technical modification without previous notice

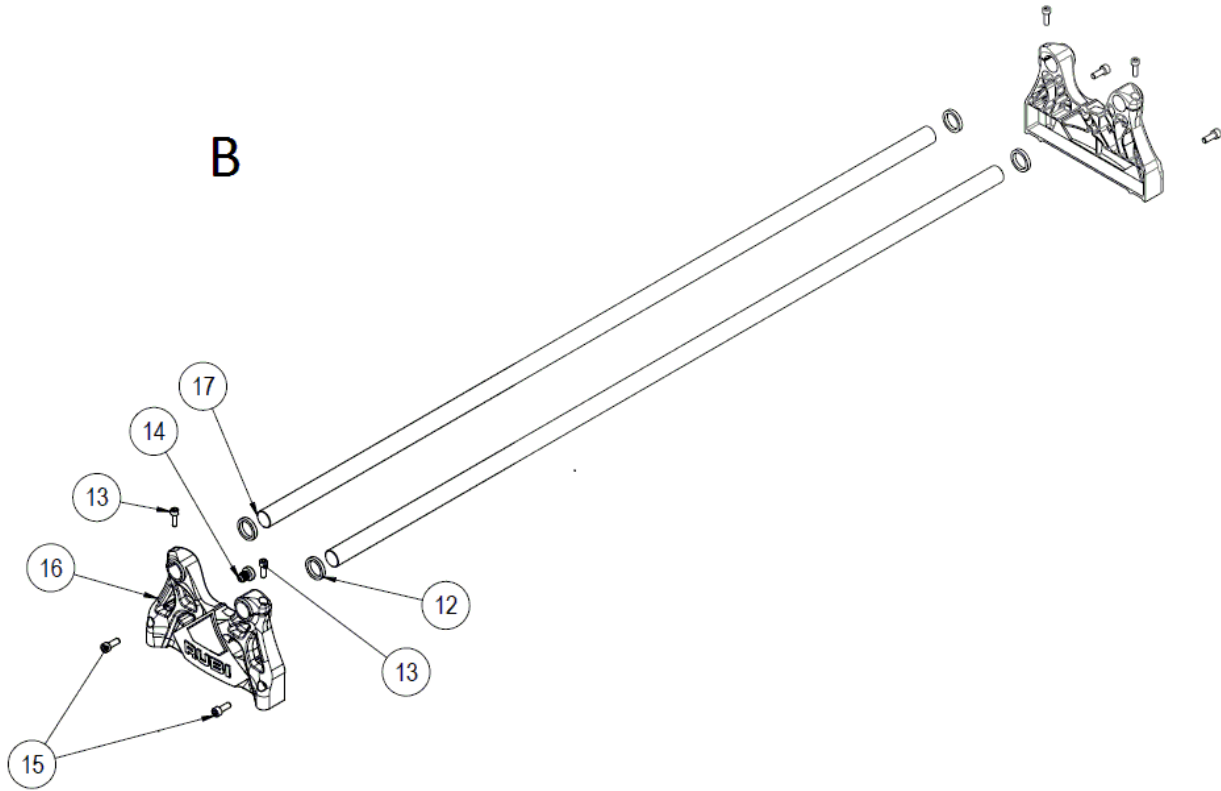
A



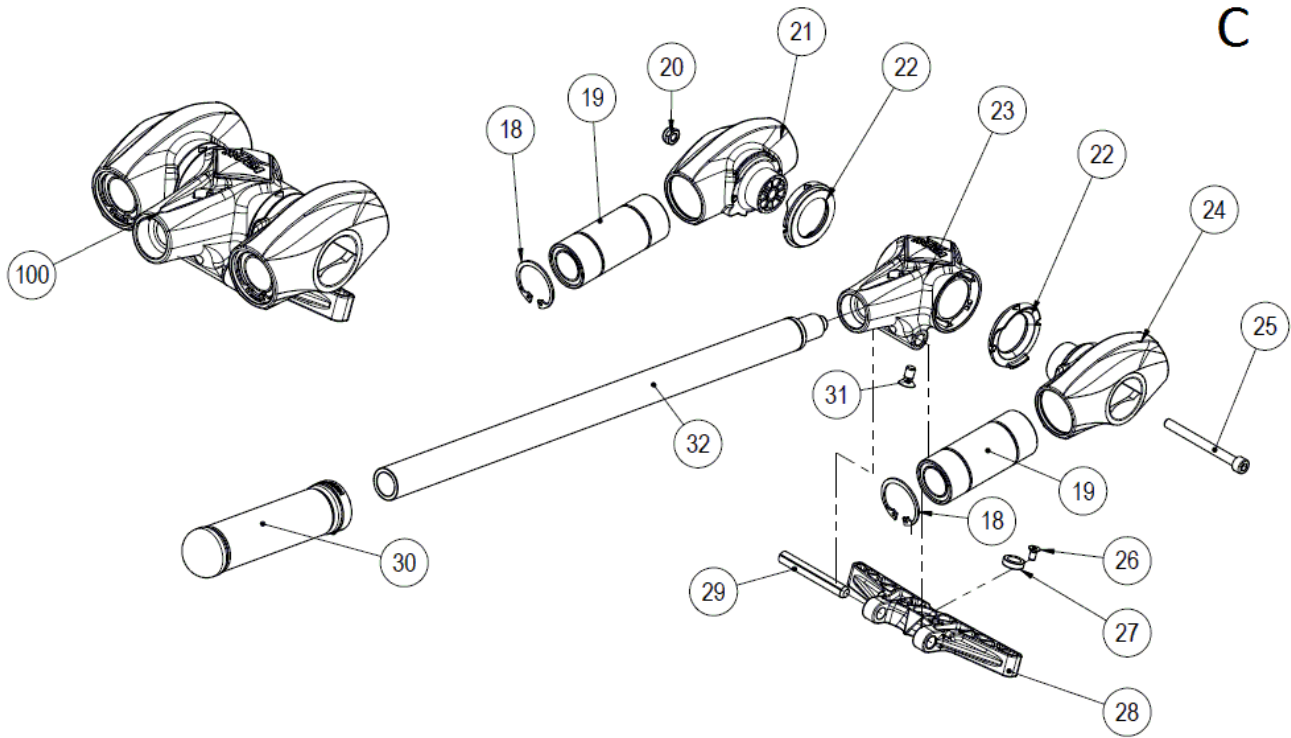
Part-list	ES	EN	Prod.
1	14134 1	BASE 180X35X1004	BASE 180X35X1004
2	14513 1	KIT GOMAS TIGER-185	MIXED RUBBER TIGER-185 ASSEMBLY
4	14136 1	REFUERZO COSTILLA TIGER	RIB REINFORCEMENT TIGER
5	56124 6	TUERCA DIN 557 M6 CUADRADA CL8 ZN	SQUARE NUT DIN 557 M6 CL8 ZP
6	61258 2	TORN DIN 912 M6X12 6.8 ZN	SCREW DIN 912 M6X12 6.8 ZP
7	14104 1	MANETA REGULABLE M6X30 PLASTICO	ADJUSTABLE HANDLE M6X30 PLASTIC
8	45038 1	ARAND DIN 9021 A6,4 ZN	WASHER DIN 9021 A6,4 ZP
9	13436 1	SUPLEMENTO 45° V2	45° SUPPLEMENT V2
10	13440 1	TOPE LATERAL SPEED V2	LATERAL STOP SPEED V2
11	14589 1	ESCUADRA HIT-850	SQUARE HIT-850
14	17718 7	CONTERA GOMA ESF.Ø 15X17	RUBBER BUMPER Ø15X17
33	19182 2	TORN DIN 7985 M5X35 6.8 ZN	SCREW DIN 7985 M5X35 6.8 ZP
34	14598 2	PATIN PATA APOYO TIGER-185 V2	LATERAL ARM SLIDER TIGER-185 V2
35	13443 2	PATA DE APOYO SPEED-72/92 V2 NEUTRO	LATERAL ARM SPEED-72/92 V2 WO/LOGO
36	40045 2	TUERCA DIN 985 M5 CL8 ZN AUTOBLOC	HEX LOCK NUT DIN 985 M5 CL8 ZP



Part-list	ES	EN	Prod.
1	14370 1	BASE 180X35X1174	BASE 180X35X1174
2	14577 1	KIT GOMAS TIGER-1000	MIXED RUBBER TIGER-1000 ASSEMBLY
4	14136 2	REFUERZO COSTILLA TIGER	RIB REINFORCEMENT TIGER
5	56124 6	TUERCA DIN 557 M6 CUADRADA CL8 ZN	SQUARE NUT DIN 557 M6 CL8 ZP
6	61258 2	TORN DIN 912 M6X12 6.8 ZN	SCREW DIN 912 M6X12 6.8 ZP
7	14104 1	MANETA REGULABLE M6X30 PLASTICO	ADJUSTABLE HANDLE M6X30 PLASTIC
8	45038 1	ARAND DIN 9021 A6,4 ZN	WASHER DIN 9021 A6,4 ZP
9	13436 1	SUPLEMENTO 45° V2	45° SUPPLEMENT V2
10	13440 1	TOPE LATERAL SPEED V2	LATERAL STOP SPEED V2
11	14589 1	ESCUADRA HIT-850	SQUARE HIT-850
14	17718 9	CONTERA GOMA ESF.Ø 15X17	RUBBER BUMPER Ø15X17
33	19182 4	TORN DIN 7985 M5X35 6.8 ZN	SCREW DIN 7985 M5X35 6.8 ZP
34	14598 4	PATIN PATA APOYO TIGER-185 V2	LATERAL ARM SLIDER TIGER-185 V2
35	13443 4	PATA DE APOYO SPEED-72/92 V2 NEUTRO	LATERAL ARM SPEED-72/92 V2 WO/LOGO
36	40045 4	TUERCA DIN 985 M5 CL8 ZN AUTOBLOC	HEX LOCK NUT DIN 985 M5 CL8 ZP



Part-list	ES	EN	Prod.	
12	19129 4	TOPE CORREDERA Ø20X26X4	RUBBER STOPPER 20X26X4	
13	55199 4	TORN DIN 912 M5X16 8.8 ZN	SCREW DIN 912 M5X16 8.8 ZP	
15	45051 4	TORN DIN 912 M6X16 6.8 ZN	SCREW DIN 912 M6X16 6.8 ZP	
16	14133 2	SOPORTE GUIAS TIGER-185	GUIDE SUPPORT TIGER-185	
17	14301 2	GUIA CORTADOR Ø20 L=1019	CHROMED GUIDE DIA.20X1019	14962
17	14369 2	GUIA CROMADA Ø20X1189	CHROMED GUIDE DIA.20X1189	14966, 14978



Part-list	ES	EN	Prod.
18	61261 2	ANILLO DIN 472 Ø 32	RING DIN 472 DIA.32
19	14132 2	RODAMIENTO LINEAL LM20LUU ZN	LINER BEARING LM20LUU ZP
20	40020 1	TUERCA DIN 985 M6 CL8 ZN AUTOBLOC	HEX LOCK NUT DIN 985 M6 CL8 ZP
21	14129 1	CORREDERA IZQUIERDA TIGER-185	LEFT SLIDER TIGER-185
22	14190 2	DISTANCIADOR SPEED N PA	SPEED N SPACER PA
23	14003 1	PORTAHERRAM.SPEED MAGNET	TOOLHOLDER SPEED MAGNET
24	14103 1	CORREDERA DERECHA TIGER-185	RIGHT SLIDER TIGER-185
25	14127 1	TORN DIN 912 M6X65 8.8 ZN	SCREW DIN 912 M6X65 8.8 ZP
26	14278 1	TORN GB 6561-86 M4X10 8.8 ZN	SCREW GB 6561-86 M4X10 8.8 ZP
27	14118 1	IMAN Ø 4,5X14X4 F=32N	MAGNET Ø 4,5X14X4 F=32N
28	14004 1	PISADOR SPEED MAGNET	SPEED MAGNET BREAKING FEET
29	14330 1	PASADOR DIN 1475 D8X60 PVN	PIN DIN 1475 D8X60 BLACKENING TREATMENT
30	17751 1	MANGO RUBI Ø22	HANDLE RUBI Ø22
31	14119 1	TORN GB 6561 M6X12 8.8 ZN	SCREW GB 6561 M6X12 8.8 ZP
32	17706 1	PALANCA M16X1,5 L=400 CARRITO TZ	LEVER M16X1,5 L=400 TOOLHOLDER TZ
100	14830 1	CJ.SEPARADOR TIGER 185	SEPARATOR SET TIGER 185