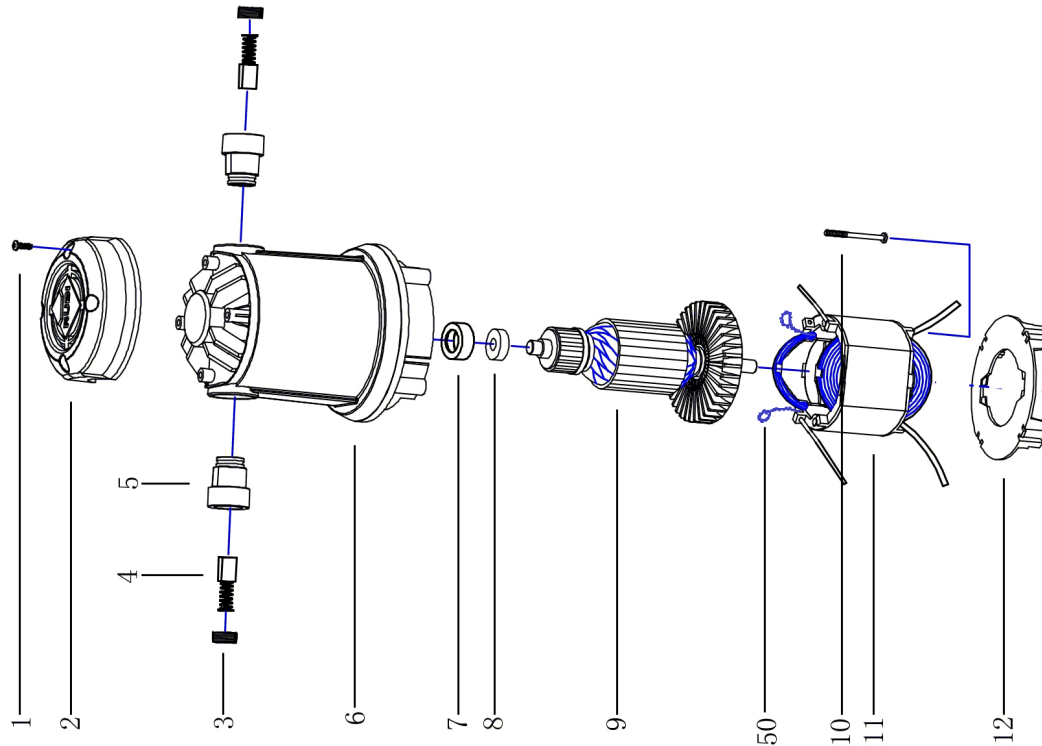


Part-list	ES	EN	Prod.
1	GRUPO MOTOR	MOTOR GROUP	
2	GRUPO ENGRANAJES SUPERIOR	UPPER GEAR GROUP	
3	GRUPO ENGRANAJES INFERIOR	LOWER GEAR GROUP	

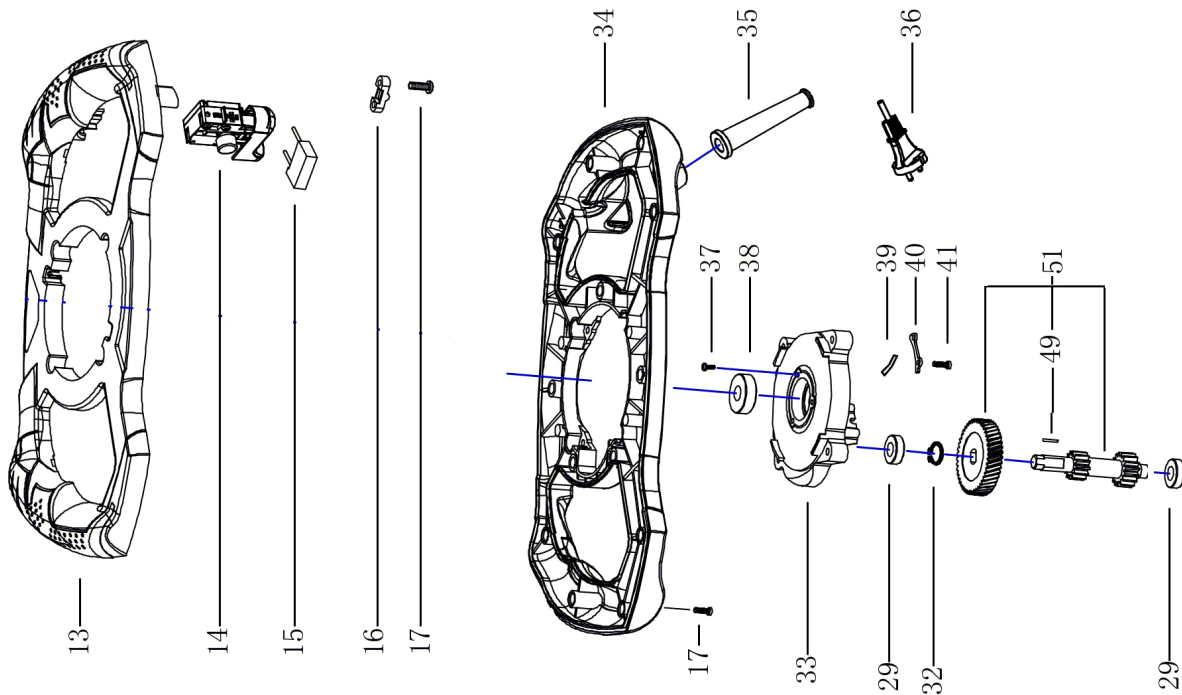
Prod.	ES	EN	From serial num.
24949	RUBIMIX-9 N 120V 50/60HZ USA/PORTABROCAS	RUBIMIX-9 N 120V 50/60HZ USA W/CHUCK	-
24958	RUBIMIX-9 N 230V 50/60HZ CON MALETA	RUBIMIX-9 N 230V 50/60HZ W/CASE	-
24986	RUBIMIX-9 N 230V 50/60HZ Y PORTABROCAS	RUBIMIX-9 N 230V 50/60HZ W/CHUCK	-
25940	RUBIMIX-9 N 230V 50/60HZ	RUBIMIX-9 N 210/240V 50/60HZ	-
25942	RUBIMIX-9 N 110V 50/60HZ UK	RUBIMIX-9 N 110V 50/60HZ UK	-
25944	RUBIMIX-9 N 220V 50/60HZ UK	RUBIMIX-9 N 220V 50/60HZ UK	-

Queda reservado el derecho de introducir cualquier modificacion técnica sin previo aviso

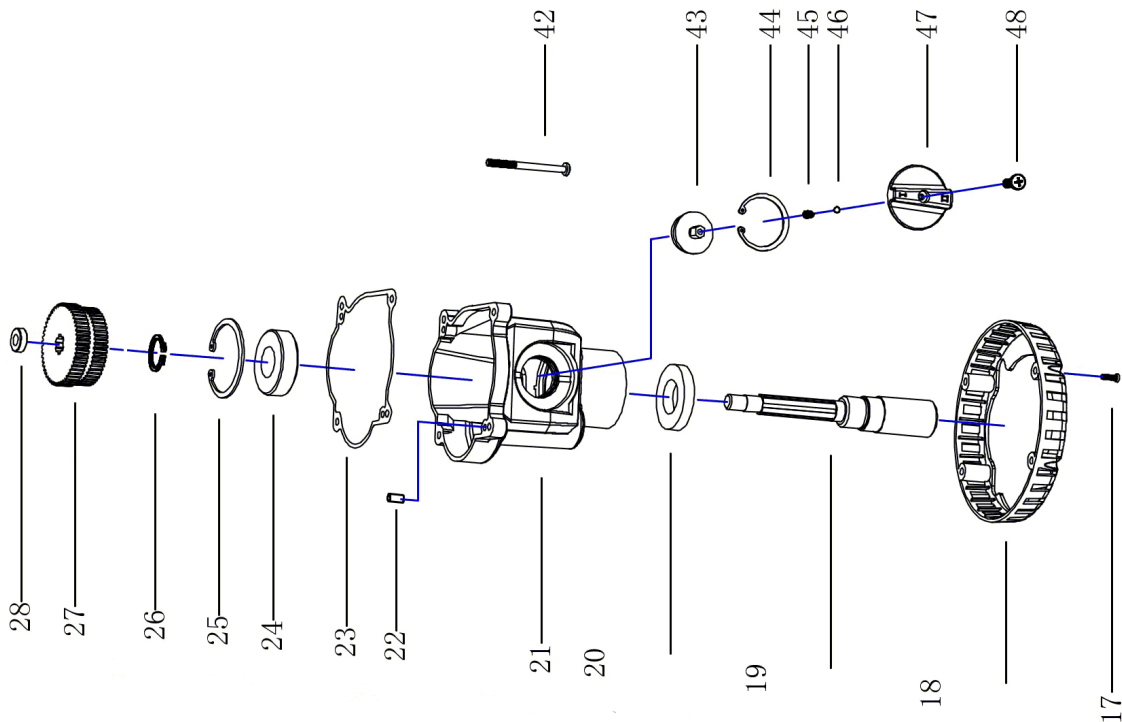
We reserve the right to introduce any technical modification without previous notice



Part-list	ES	EN	Prod.	
1	24505 4	TORN ST4,8X9,5	SCREW ST4,8X9,5	
2	24506 1	TAPA TRASERA RUBIMIX-9N	REAR COVER RUBIMIX-9N	
3	24507 2	JUEGO TAPA PORTAESCOB.RMIX-9N/PLUS (2U)	BRUSH HOLDER COVER RUBIMIX-9N	
4	24532 1	JUEGO ESCOB.RMIX-9N 230V/PLUS (2 UN)	CARBON BRUSHER SET RUBIMIX-9N 230V	25940, 25944, 24954, 24958, 24986
4	24533 1	JUEGO ESCOB.RMIX-9N 110V/PLUS (2 UN)	CARBON BRUSHER SET RUBIMIX-9N 110V	25942, 25948, 24949
5	24509 2	JUEGO PORTAESCOB.RMIX-9N/PLUS (2 UN)	BRUSHER HOLDER RUBIMIX-9N	
6	24510 1	CARCASA MOTOR RUBIMIX-9N	MOTOR HOUSING RUBIMIX-9N	
7	25121 1	FUNDA GOMA RUBIMIX-9	RUBBER LOOP RMIX-9-BL	
8	25122 1	RODAMIENTO Z0009 2Z	BEARING Z0009 2Z	
9	25440 1	ROTOR 120V RUBIMIX-9	ROTOR 120V RMIX-9-BL	25942, 25948, 24949
9	25124 1	ROTOR 230V RUBIMIX-9	ROTOR 230V RMIX-9-BL	25940, 25944, 24954, 24958, 24986
10	24360 2	TORN ST4,8X60	SCREW ST4,8X60	
11	25120 1	ESTATOR 230V RUBIMIX-9	STATOR 230V RMIX-9-BL	25940, 25944, 24954, 24958, 24986
11	25441 1	ESTATOR 120V RUBIMIX-9	STATOR 120V RMIX-9-BL	25942, 25948, 24949
12	24512 1	TAPA VENTILADOR RUBIMIX-9N	WIND COVER RUBIMIX-9N	
50	24561 2	JUEGO CON.EST-ESCOB.RMIX-9-N/PLUS(2 UN)	STATOR-BRUSH CONNECT.RMIX-9-N/PLUS	



Part-list	ES	EN	Prod.	
13	24513 1	MANGO SUPERIOR RUBIMIX-9N	UPPER HANDLE RUBIMIX-9N	
14	24384 1	INTERRUPTOR 230V RUBIMIX-16 ERGOMAX	SWITCH CONTROL 230V RUBIMIX-16 ERGOMAX	25940, 25944, 24954, 24958, 24986
14	24529 1	INTERRUPTOR 110V RUBIMIX-16 ERGOMAX	SWITCH CONTROL 110V RUBIMIX-16 ERGOMAX	25942, 25948, 24949
15	25115 1	CONDENSADOR RUBIMIX-9	CAPACITOR RMIX-9-BL	
16	25114 1	FIJACION CABLE RUBIMIX-9	CORD CAMP RMIX-9-BL	
17	24345 19	TORN ST3,9X14	SCREW ST3,9X14	
29	25735 2	RODAMIENTO 698 2Z	BEARING 698 2Z	
32	16067 1	ANILLO DIN 471 Ø 10	RETAINING RING DIN-471 Ø10	
33	24520 1	CUBIERTA MOTOR RUBIMIX-9N	MOTOR COVER RUBIMIX-9N	
34	24521 1	MANGO INFERIOR RUBIMIX-9N	LOWER HANDLE RUBIMIX-9N	
35	25734 1	PROTECCION CABLE RUBIMIX-9-N	CORD GUARD RMIX-9-N	
36	24410 1	ENCHUFE CABLE RMIX-16 110V 2X1MM USA	POWER CORD RUBIMIX-16 110V 2X1MM USA	25948, 25949
36	24412 1	ENCHUFE CABLE RMIX-16 110V 2X1MM UK	POWER CORD RUBIMIX-16 110V 2X1MM UK	25942
36	24381 1	ENCHUFE CABLE RMIX-16 230V 2X1MM VDE	POWER CORD RUBIMIX-16 230V 2X1MM VDE	25940, 24958, 24986
36	24411 1	ENCHUFE CABLE RMIX-16 230V 2X1MM UK	POWER CORD RUBIMIX-16 230V 2X1MM UK	25944
37	25572 3	TORN M4X6 ST RUBIMIX-9 PLUS	SCREW M4X6 ST RMIX-9-BL PLUS	
38	25191 1	RODAMIENTO 6001 RUBIMIX-9	6001 BEARING RMIX-9-BL	
39	25577 1	MECHA ENGRASE 5X5X40	GREASE WICK 5X5X40	
40	24522 1	TAPA ACEITE RUBIMIX-9N POS.40	FRAME OIL COVER RUBIMIX-9N POS.40	
41	25581 2	TORN M3X10 RUBIMIX-9 PLUS	SCREW M3X10 RMIX-9-BL PLUS	
49	24604 1	CHAVETA EJE ENGRANAJE RUBIMIX	GEAR SHAFT PIN RUBIMIX	
51	25747 1	KIT ENGRANAJE, EJE, CHAVETA RUBIMIX-9 N	KIT GEAR, AXLE, PIN RUBIMIX-9 N	



Part-list	ES	EN	Prod.
17	24345 19	TORN ST3,9X14	SCREW ST3,9X14
18	24514 1	TAPA VENTILACION RUBIMIX-9N	WIND COVER RUBIMIX-9N
19	24515 1	PERNO RUBIMIX-9N POS.19	SPINDLE RUBIMIX-9N POS.19
20	24508 1	RETEN GRASA Ø21X26X5	SHAFT GREASE SEAL Ø21X26X5
21	24535 1	CAJA ENGRANAJES RUBIMIX-9N	GEAR BOX RMIX-9N
22	25586 2	PRISIONERO 4H 8X8 RUBIMIX-9 PLUS	PIN 4H 8X8 RMIX-9-BL PLUS
23	24536 1	JUNTA CAJA ENGRANAJES RUBIMIX-9	OIL WASHER RUBIMIX-9
24	25173 1	RODAMIENTO 6004 RUBIMIX-9	6004 BEARING RMIX-9-BL
25	25171 1	ANILLO ELASTICO Ø 42	CIRCLIP DIA.42
26	51722 1	ANILLO DIN 471 Ø 17 PVN	CIRCLIP DIN 471 Ø 17 PV
27	25193 1	ENGRANAJE RECTO DOBLE Z49/Z52	DOUBLE SPUR GEAR Z49/Z52
28	25122 1	RODAMIENTO Z0009 2Z	BEARING Z0009 2Z
42	24523 4	TORN ST4,8X40	SCREW ST4,8X40
43	25175 1	EXCENTRICA SELEC.VEL. RMIX-9N/E10/PLUS	SPEED SHIFT CAM RUBIMIX-9N/E10/PLUS
44	25176 1	ANILLO DIN 472 Ø 27	CIRCLIP DIN 472 Ø 27
45	25179 2	MUELLE COMPRESION 4,5X7 Ø0,5	COMPRESSION SPRING 4,5X7 Ø0,5
46	25178 2	BOLA RODAMIENTO Ø4	BEARING STEEL BALL Ø4
47	25180 1	SELECTOR VELOCIDAD RUBIMIX-9N/E10/PLUS	GEARBOX SPEED KNOB RUBIMIX-9N/E10/PLUS
48	25125 1	TORN 4X10	SCREW 4X10