

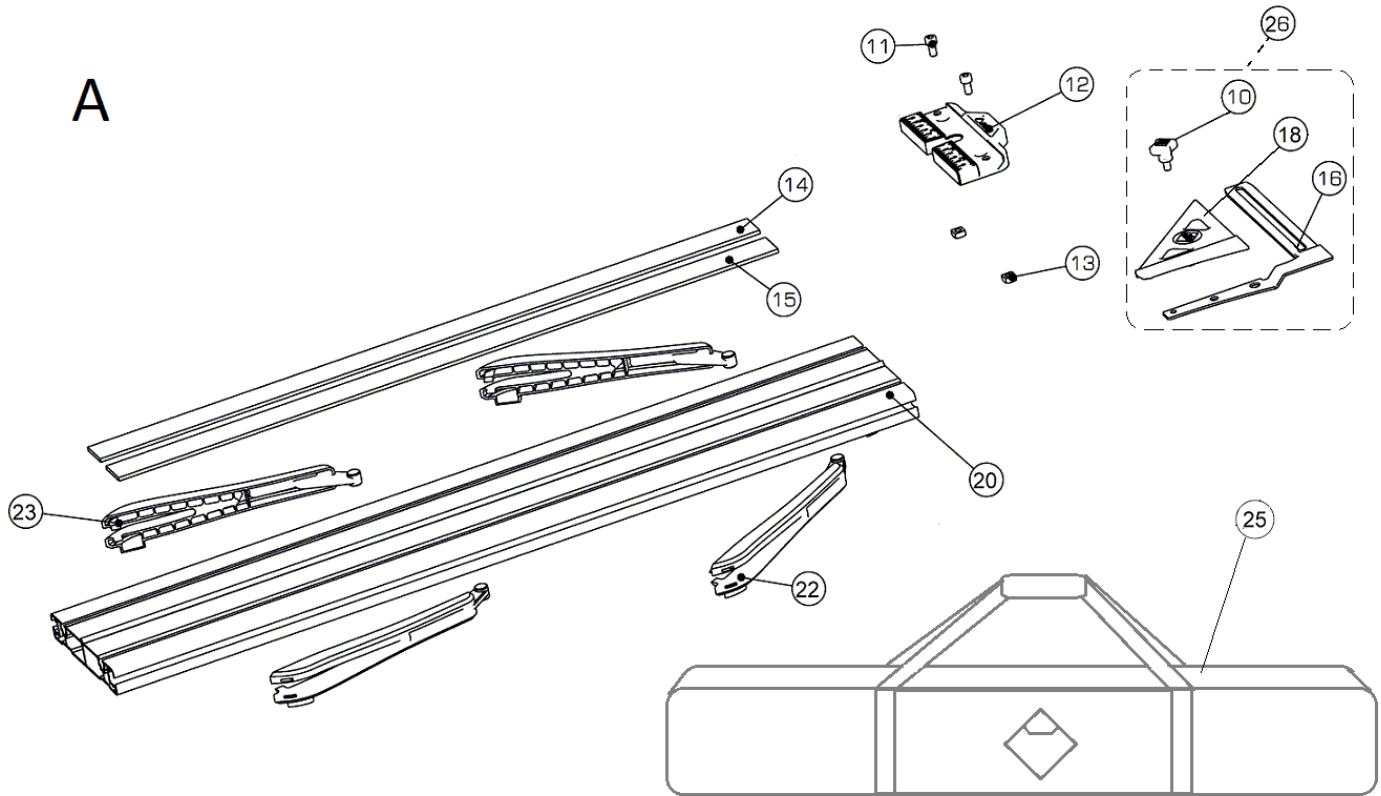
Part-list	ES	EN	Prod.
1	A	GRUPO A	GROUP A
2	B	GRUPO B	GROUP A

Prod.	ES	EN	From serial num.
13932	FAST 65CM C/BOLSA -CORTADOR MANUAL	FAST 65CM C/BOLSA	FA000001
13939	FAST 85CM C/BOLSA -CORTADOR MANUAL	FAST 85CM C/BOLSA	FA000001
13940	FAST 65CM -CORTADOR MANUAL	FAST 65CM	FA000001
13941	FAST 85CM -CORTADOR MANUAL	FAST 85CM	FA000001

Queda reservado el derecho de introducir cualquier modificacion técnica sin previo aviso

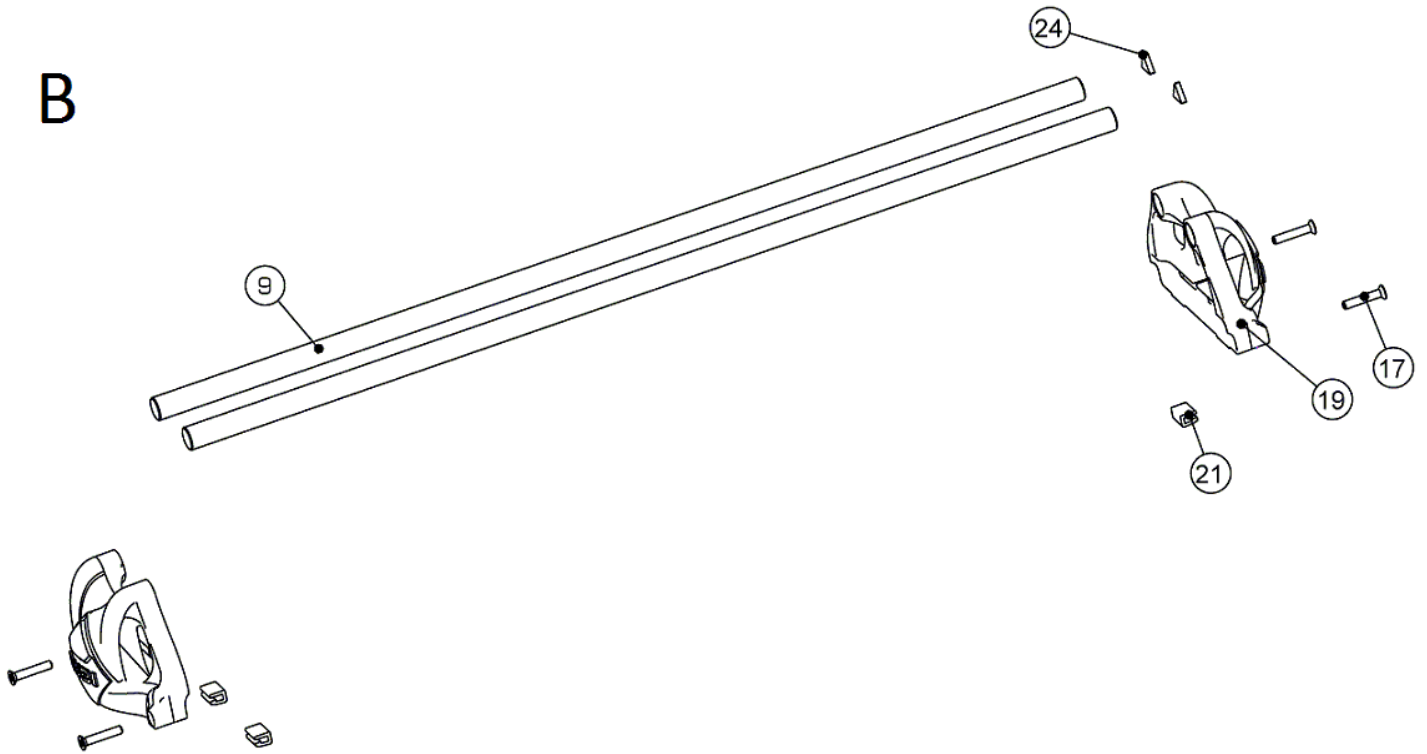
We reserve the right to introduce any technical modification without previous notice

A

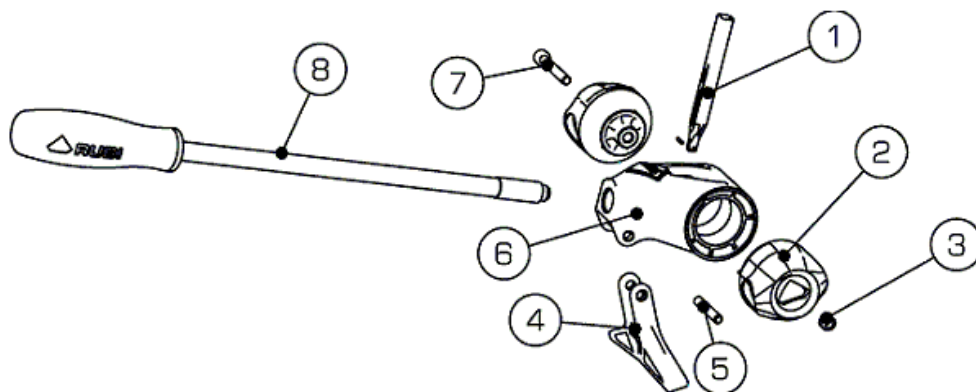


Part-list	ES	EN	Prod.	
10	17021 1	COM.POMO M6X10 ROJO	RED KNOB SET M6X10	
11	61258 2	TORN DIN 912 M6X12 6.8 ZN	SCREW DIN 912 M6X12 6.8 ZP	
12	12638 1	ESCUADRA FAST-65/85	SQUARE FAST-65/85	
13	56124 2	TUERCA DIN 557 M6 CUADRADA CL8 ZN	SQUARE NUT DIN 557 M6 CL8 ZP	
14	12677 1	GOMA FAST-85	RUBBER FAST-85	13939, 13941
14	12637 1	GOMA FAST-65	RUBBER FAST-65	13932, 13940
15	12691 1	GOMA FAST-65 SERIGRAFIADA	RUBBER FAST-65 PRINTED	13932, 13940
15	12692 1	GOMA FAST-85 SERIGRAFIADA	RUBBER FAST-85 PRINTED	13939, 13941
16	19130 1	COM.TOPE LATERAL MAXIMA/FAST	LATERAL STOPPER MAXIMA/FAST	
18	13436 1	SUPLEMENTO 45° V2	45° SUPPLEMENT V2	
20	12675 1	BASE FAST-85	BASE FAST-85	13939, 13941
20	12634 1	BASE FAST-65	BASE FAST-65	13932, 13940
22	19699 2	BRAZO DERECHO FAST-85	RIGHT ARM CUTTER FAST-85	
23	19698 2	BRAZO IZQUIERDO FAST-85	LEFT ARM CUTTER FAST-85	
25	12685 1	BOLSA DE TRANSPORTE C.FAST 65CM	CARRY BAG FAST 65CM	13932, 13940
25	12686 1	BOLSA DE TRANSPORTE C.FAST 85CM	CARRY BAG FAST 85CM	13939, 13941
26	19751 1	TOPE LATERAL FAST	LATERAL STOP FAST	

B



Part-list	ES	EN	Prod.	
9	12676 2	GUIA Ø 18 L=968	GUIDE DIA.18 L=968	13939, 13941
9	12636 2	GUIA Ø 18 L=768	GUIDE DIA.18 L=768	13932, 13940
17	19728 4	TORN DIN 7500-M M6X25 8.8 ZN TRILOB.	SCREW DIN 7500-M M6X25 8.8 ZP TRILOB.	
19	12635 2	SOPORTE FAST-65/85	SUPPORT FAST-65/85	
21	19354 4	PERFIL GOMA SOPORTE GUIAS MAXIMA	GUIDE SUPPORT RUBBER PROFILE MAXIMA	
24	12693 2	TACO GOMA FAST	RUBBER STOPPER FAST	



Part-list	ES	EN	Prod.	
1	1945 1	RODEL Ø 6 MM	CARBIDE SCORING WHEEL 1/4" (6 mm.)	
2	12674 2	CORREDERA STAR Ø 18	SLIDER STAR DIA.18	
3	40045 1	TUERCA DIN 985 M5 CL8 ZN AUTOBLOC	HEX LOCK NUT DIN 985 M5 CL8 ZP	
4	14082 1	PISADOR SPEED-62 N	SPEED-62 N BREAKING FEET	13939, 13941
4	12626 1	PISADOR STAR MAX	BREAKER FEET STAR MAX	13932, 13940
5	12628 1	PASADOR DIN 1473 5X32	BREAKER SHAFT DIN 1473 5X32	
6	12624 1	PORTAHERRAM.STAR MAX	TOOLHOLDER STAR MAX	
7	60503 1	TORN DIN 912 M5X35 6.8 ZN	SCREW DIN 912 M5X35 6.8 ZP	
8	12845 1	COM.MANGO FAST-85	HANDLE SET FAST-85	13939, 13941
8	12650 1	CJ.MANGO STAR MAX	ASSEMBLY HANDLE STAR MAX	13932, 13940