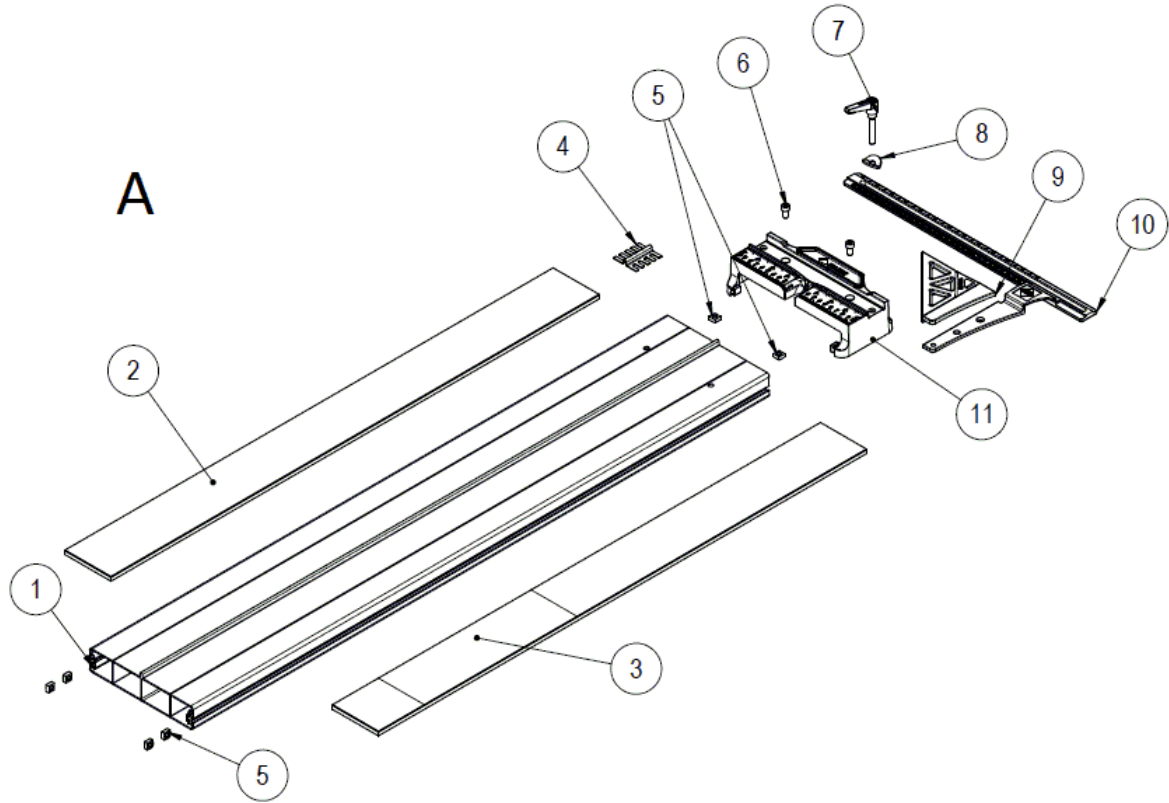


Part-list	ES	EN	Prod.
1	A	GRUPO BASE	BASE GROUP
2	B	GRUPO GUIAS Y SOPORTES	GUIDE AND SUPPORT GROUP
3	C	GRUPO PORTHERRAMIENTAS Y SEPARADOR	TOOLHOLDER AND BREAKER GROUP

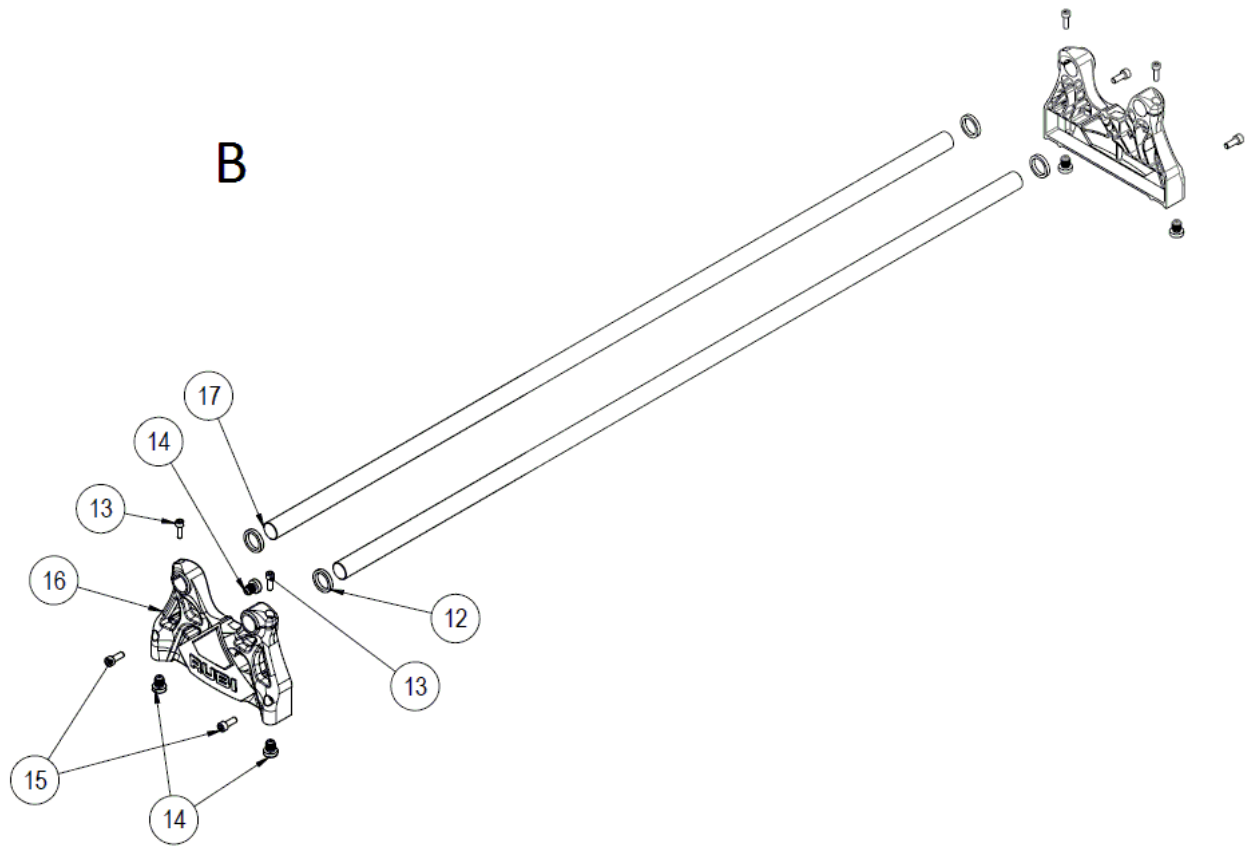
Prod.	ES	EN	From serial num.
14962	TIGER-185 MAGNET-CORTADOR MANUAL	TIGER-185 MAGNET	TG001013

Queda reservado el derecho de introducir cualquier modificacion técnica sin previo aviso

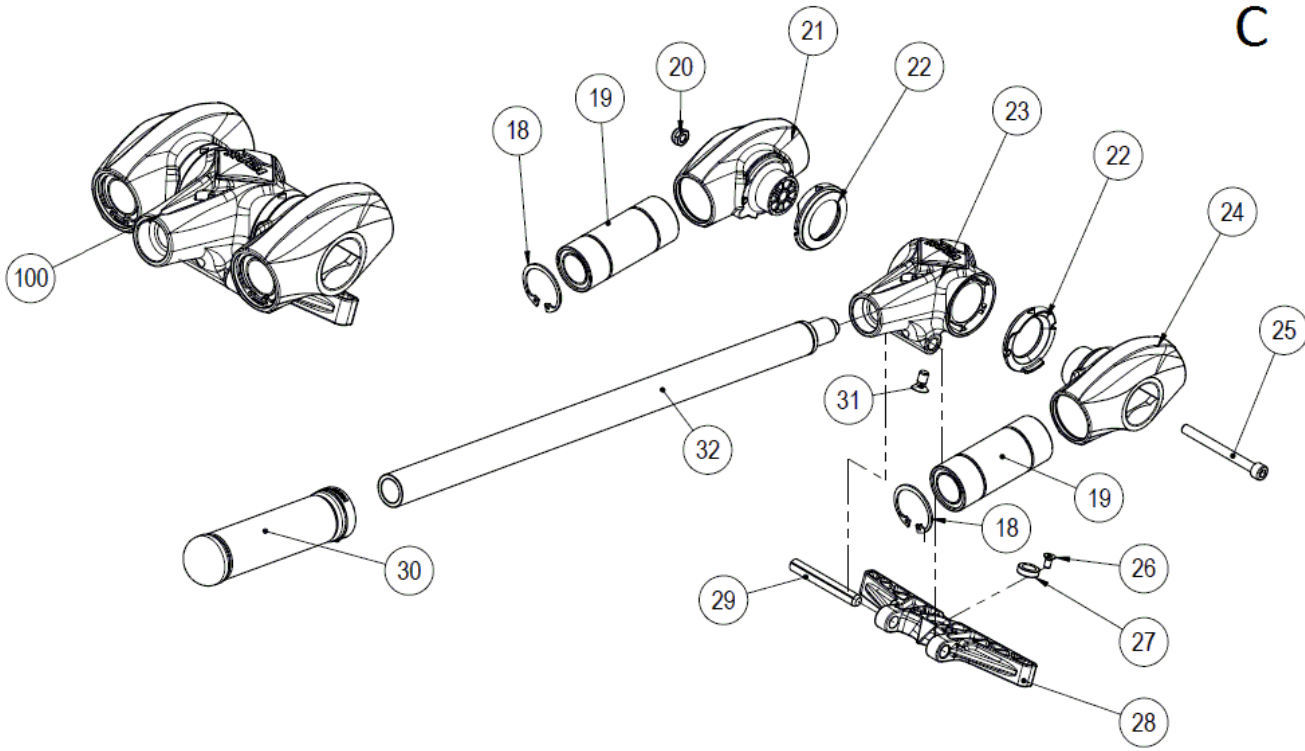
We reserve the right to introduce any technical modification without previous notice



Part-list	ES	EN	Prod.
1	14134 1	BASE 180X35X1004	BASE 180X35X1004
2	14184 1	GOMA 80X850	RUBBER 80X850
3	14131 2	GOMA 80X850 CON LOGO	RUBBER 80X850 WITH LOGO
4	14136 1	REFUERZO COSTILLA TIGER	RIB REINFORCEMENT TIGER
5	56124 6	TUERCA DIN 557 M6 CUADRADA CL8 ZN	SQUARE NUT DIN 557 M6 CL8 ZP
6	61258 2	TORN DIN 912 M6X12 6.8 ZN	SCREW DIN 912 M6X12 6.8 ZP
7	14104 1	MANETA REGULABLE M6X30 PLASTICO	ADJUSTABLE HANDLE M6X30 PLASTIC
8	45038 1	ARAND DIN 9021 A6,4 ZN	WASHER DIN 9021 A6,4 ZP
9	13436 1	SUPLEMENTO 45° V2	45° SUPPLEMENT V2
10	13161 1	TOPE LATERAL ALUMINIO SPEED-62	LATERAL STOP ALUMIN.SPEED-62/72/92
11	14128 1	ESCUADRA TIGER-185	SQUARE TIGER-185



Part-list	ES	EN	Prod.
12	19129 4	TOPE CORREDERA 20X26X4	RUBBER STOPPER 20X26X4
13	55199 4	TORN DIN 912 M5X16 6.8 ZN	SCREW DIN 912 M5X16 6.8 ZP
14	17718 5	CONTERA GOMA ESF.Ø 15X17	RUBBER BUMPER Ø15X17
15	45051 4	TORN DIN 912 M6X16 6.8 ZN	SCREW DIN 912 M6X16 6.8 ZP
16	14133 2	SOPORTE GUIAS TIGER-185	GUIDE SUPPORT TIGER-185
17	14301 2	GUIA CROMADA 20X1019	CHROMED GUIDE DIA.20X1019



Part-list	ES	EN	Prod.
18	61261 2	ANILLO DIN 472 Ø 32	RING DIN 472 DIA.32
19	14132 2	RODAMIENTO LINEAL LM20LUU ZN	LINER BEARING LM20LUU ZP
20	40020 1	TUERCA DIN 985 M6 CL8 ZN AUTOBLOC	HEX LOCK NUT DIN 985 M6 CL8 ZP
21	14129 1	CORREDERA IZQUIERDA TIGER-185	LEFT SLIDER TIGER-185
22	14190 2	DISTANCIADOR SPEED N PA	SPEED N SPACER PA
23	14003 1	PORTAHERRAM.SPEED MAGNET	TOOLHOLDER SPEED MAGNET
24	14103 1	CORREDERA DERECHA TIGER-185	RIGHT SLIDER TIGER-185
25	14127 1	TORN DIN 912 M6X65 8.8 ZN	SCREW DIN 912 M6X65 8.8 ZP
26	14278 1	TORN GB 6561-86 M4X10 8.8 ZN	SCREW GB 6561-86 M4X10 8.8 ZP
27	14118 1	IMAN SPEED MAGNET	MAGNET SPEED
28	14004 1	PISADOR SPEED MAGNET	SPEED MAGNET BREAKING FEET
29	14009 1	PASADOR DIN 1473 D8X60	PIN DIN 1473 D8X60
30	17751 1	MANGO RUBI Ø22	HANDLE RUBI Ø22
31	14119 1	TORN GB6561 M6X12 8.8 ZN	SCREW GB6561 M6X12 8.8 ZP
32	17706 1	PALANCA M16X1,5 L=400 CARRITO TZ	LEVER M16X1,5 L=400 TOOLHOLDER TZ
100	14830 1	CJ.SEPARADOR TIGER 185	SEPARATOR SET TIGER 185