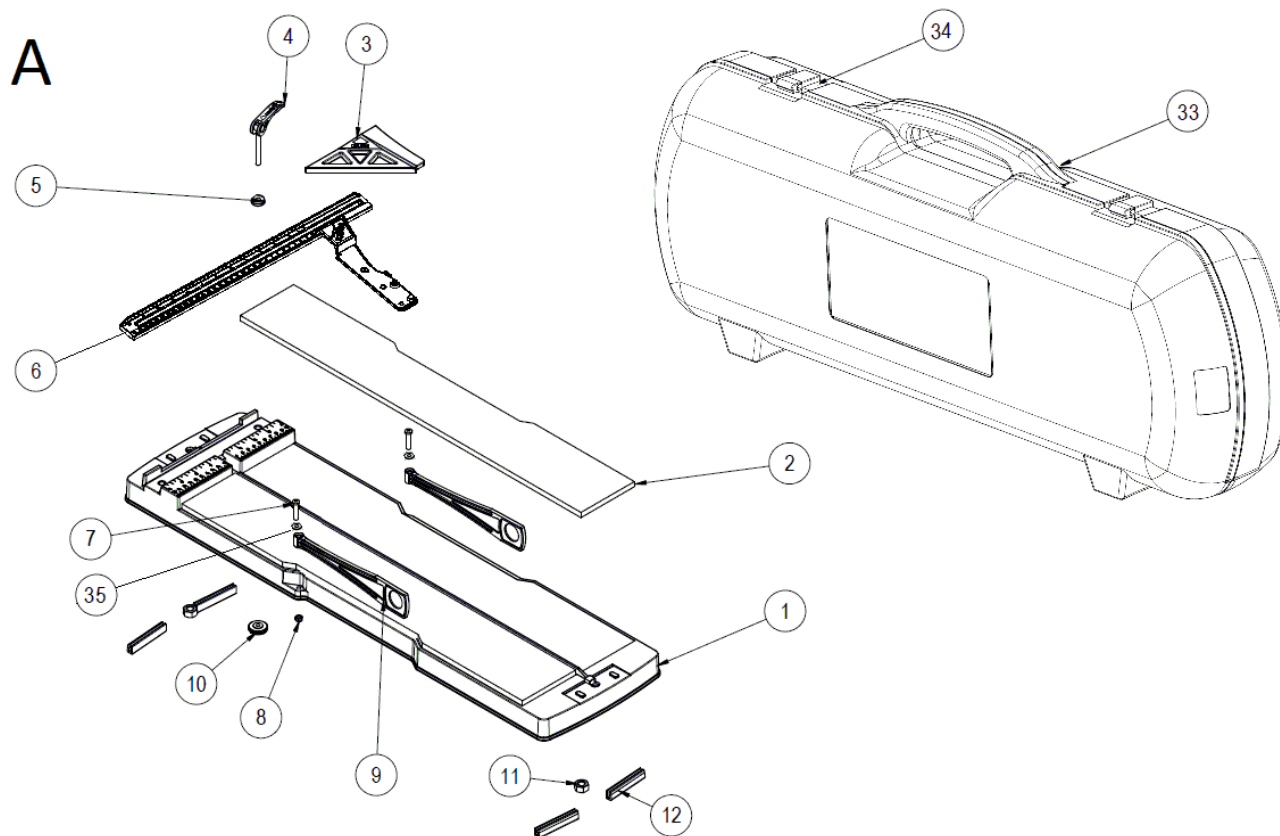


Part-list	ES	EN	Prod.
1	A	GRUPO BASE	BASE GROUP
2	B	GRUPO GUIAS Y SOPORTES	GUIDE AND SUPPORT GROUP
3	C	GRUPO PORTHERRAMIENTAS Y SEPARADOR	TOOLHOLDER AND BREAKER GROUP

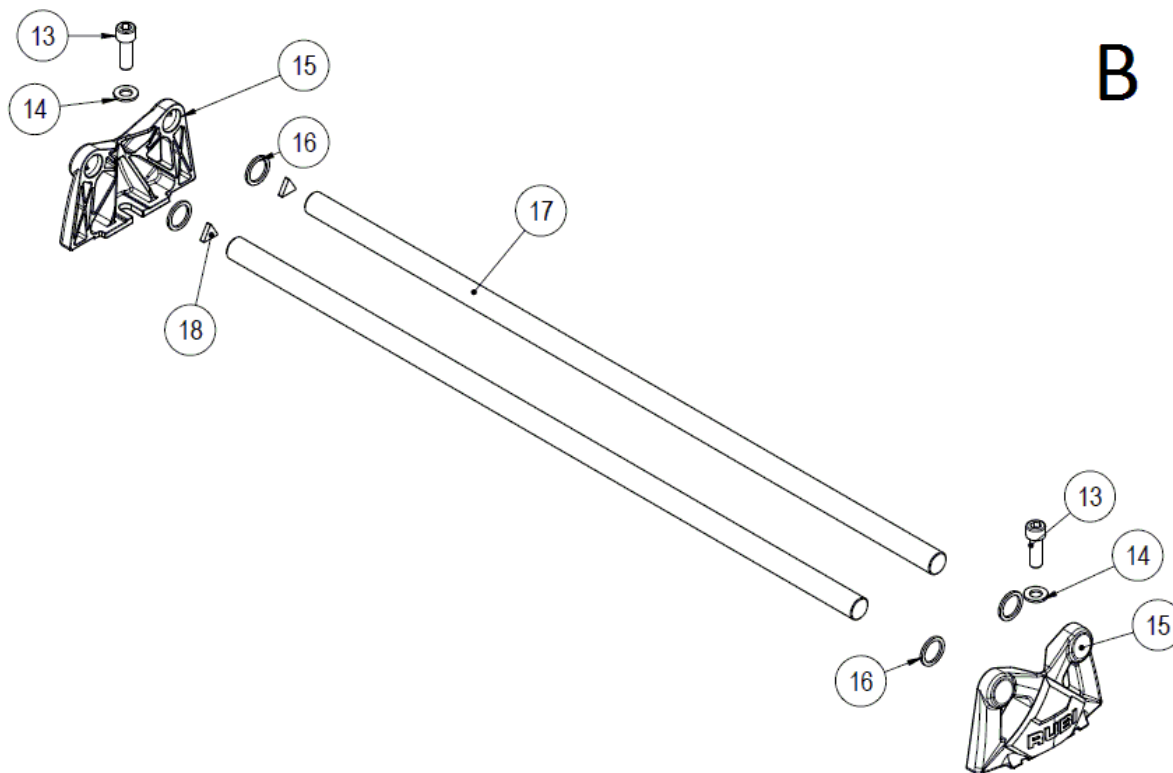
Prod.	ES	EN	From serial num.
14980	SPEED-62 MAGNET - CORT.MANUAL	SPEED-62 MAGNET - CORT.MANUAL	SM033332
14981	SPEED-72 MAGNET - CORT.MANUAL	SPEED-72 MAGNET - CORT.MANUAL	SM033332
14982	SPEED-92 MAGNET - CORT.MANUAL	SPEED-92 MAGNET - CORT.MANUAL	SM033332
14988	SPEED-62 MAGNET CON MALETA - CORT.MANUAL	SPEED-62 MAGNET W/CASE	SM033332
14989	SPEED-72 MAGNET CON MALETA - CORT.MANUAL	SPEED-72 MAGNET W/CASE	SM033332
14990	SPEED-92 MAGNET CON MALETA - CORT.MANUAL	SPEED-92 MAGNET W/CASE	SM033332

Queda reservado el derecho de introducir cualquier modificación técnica sin previo aviso

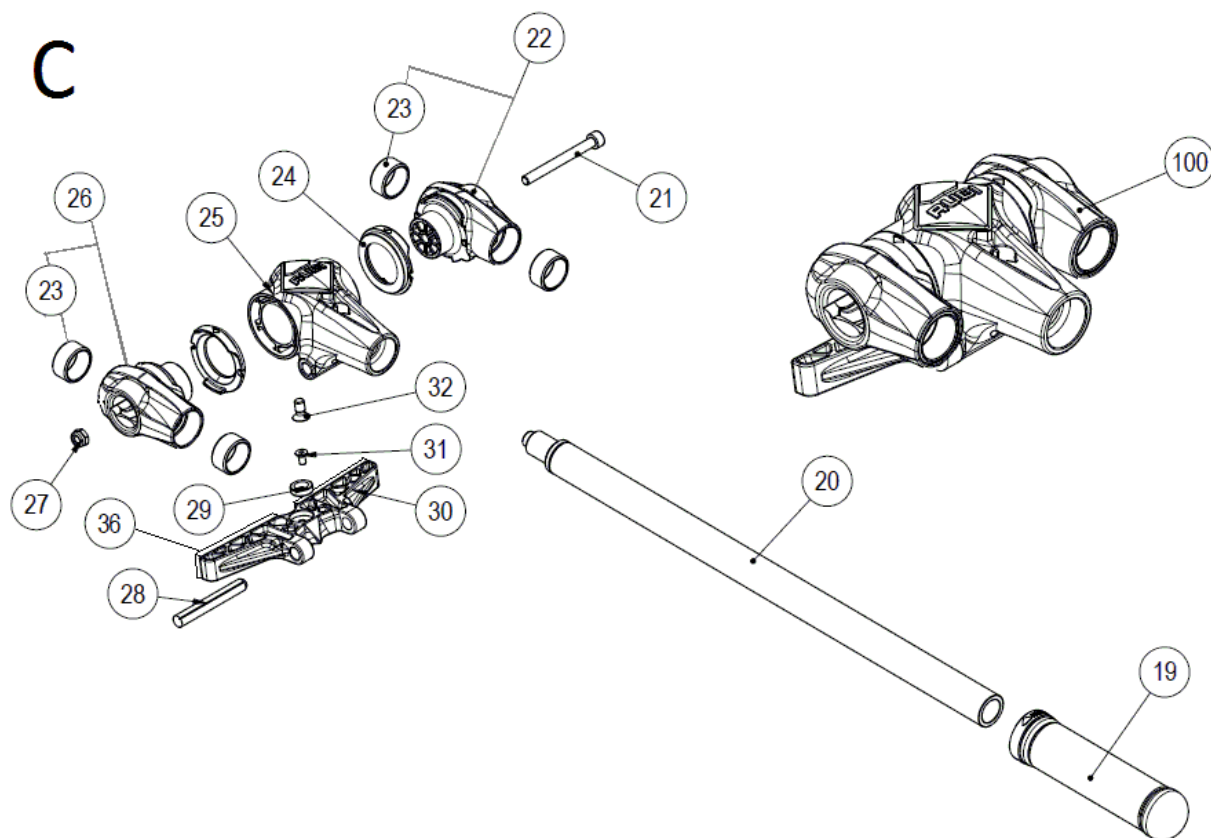
We reserve the right to introduce any technical modification without previous notice



Part-list	ES	EN	Prod.	
1	13444 1	BASE SPEED-92 ARENADA V3	SANDY BASE SPEED-92 V3	14982, 14990
1	13434 1	BASE SPEED-72 ARENADA V2	SANDY BASE SPEED-72 V2	14981, 14989
1	13438 1	BASE SPEED-62 ARENADA V3	SANDY BASE SPEED-62 V3	14980, 14988
2	13416 1	CJ.GOMAS BASE SPEED-92	RUBBER SET SPEED-92	14982, 14990
2	13318 2	GOMA MIXTA SPEED-72	MIXED RUBBER SPEED-72	14981, 14989
2	13442 1	KIT GOMA MIXTA SPEED-62 DER.Y IZQ.V2	MIXED RUBBER SPEED-62 V2 ASSEMBLY	14980, 14988
3	13436 1	SUPLEMENTO 45° V2	45° SUPPLEMENT V2	
4	14117 1	CIERRE RAPIDO M6X35 NEGRO	CAM LEVER M6X42 BLACK	
5	14089 1	ARAND CON INSERTO PARA REF:14117	WASHER AND INSERT FOR REF:14117	
6	13440 1	TOPE LATERAL SPEED V2	LATERAL STOP SPEED V2	
7	70311 2	TORN DIN 7985 M5X25 6.8 ZN	SCREW DIN 7985 M5X25 6.8 ZP	14981, 14989
7	14342 2	TORN ISO 7380 M5X30 6.9 ZN	SCREW ISO 7380 M5X30 6.9 ZP	14980, 14988
7	14210 2	TORN ISO 7380 M5X25 6.8 ZN	SCREW ISO 7380 M5X25 6.8 ZP	14982, 14990
8	40045 2	TUERCA DIN 985 M5 CL8 ZN AUTOBLOC	HEX LOCK NUT DIN 985 M5 CL8 ZP	
9	13335 2	PATA DE APOYO SPEED-92	SUPPORT ARM SPEED-92	14982, 14990
9	13439 2	PATA DE APOYO SPEED-62 V2	SUPPORT ARM SPEED-62 V2	14980, 14988
9	13316 2	PATA DE APOYO SPEED-72	SUPPORT ARM SPEED-72	14981, 14989
10	14098 1	POMO DIN 467 M6	FLAT KNURLED NUT DIN 467 M6 BLACK ZP	
11	50150 2	TUERCA DIN 934 M10 CL8 ZN	HEX NUT DIN 934 M10 CL8 ZP	
12	17718 4	CONTERA GOMA ESF.Ø 15X17	RUBBER BUMPER Ø15X17	14980, 14988
12	13143 4	PIE DE GOMA BASE SPEED-62	BASE RUBBER SPEED-62/72/92	14981, 14982, 14989, 14990
33	13827 1	CJ.MALETA SPEED 62	CASE SET SPEED 62	14988
33	13845 1	CJ.MALETA SPEED 92	CASE SET SPEED 92	14990
33	13844 1	CJ.MALETA SPEED 72	CASE SET SPEED 72	14989
34	15760 2	CIERRE MALETA 54X54 TS30/40, TM, TX, SPD	PLASTIC LATCH - 54X54 TS30/40, TM, TX,	14988, 14989
34	15761 2	CIERRE MALETA 89X54 TS50/60, TR, TM, TX	PLASTIC LATCH 89X54 (TS50/60, TR, TM, TX)	14990
35	56035 2	ARAND DIN 125 A5,3 ZN	WASHER DIN125 A5,3 ZP	14980, 14988



Part-list	ES	EN	Prod.	
13	13175 2	TORN DIN 912 M10X30 8.8 ZN	SCREW DIN 912 M10X30 8.8 ZP	
14	56017 2	ARAND DIN 125 A10,5 ZN	WASHER DIN 125 A10,5 ZP	
15	14001 2	SOPORTE GUIAS SPEED MAGNET	GUIDE SUPPORT SPEED MAGNET	
16	13336 4	TOPE CORREDERA Ø20X26X2	CARRIER TOP 20X26X2	
17	14067 2	GUIA Ø 20 L=1027	GUIDE DIA.20 L=1027	14982, 14990
17	14066 2	GUIA Ø 20 L=827	GUIDE DIA.20 L=827	14981, 14989
17	14002 2	GUIA Ø 20 L=727	GUIDE DIA.20 L=727	14980, 14988
18	12693 2	TACO GOMA FAST	RUBBER STOPPER FAST	



Part-list	ES	EN	Prod.
19	17751 1	MANGO RUBI Ø22	HANDLE RUBI Ø22
20	17706 1	PALANCA M16X1,5 L=400 CARRITO TZ	LEVER M16X1,5 L=400 TOOLHOLDER TZ
21	5081 1	TORN DIN 912 M6X60 6.8 ZN	SCREW DIN 912 M6X60 6.8 ZP
22	14433 1	CJ.CORREDERA ENCASQ.SPEED MAGNET DER.	RIGHT SLIDER W/BUSHING SPEED MAGNET
23	13367 4	COJINETE 20X24X12	BEARING 20X24X12
24	14190 2	DISTANCIADOR SPEED N PA	SPEED N SPACER PA
25	14003 1	PORTAHERRAM.SPEED MAGNET	TOOLHOLDER SPEED MAGNET
26	14432 1	CJ.CORREDERA ENCASQ.SPEED MAGNET IZQ.	LEFT SLIDER W/BUSHING SPEED MAGNET
27	40020 1	TUERCA DIN 985 M6 CL8 ZN AUTOBLOC	HEX LOCK NUT DIN 985 M6 CL8 ZP
28	14330 1	PASADOR DIN 1475 D8X60 PVN	PIN DIN 1475 D8X60 BLACKENING TREATMENT
29	14118 1	IMAN Ø 4,5X14X4 F=32N	MAGNET Ø 4,5X14X4 F=32N
30	14628 1	PISADOR SPEED MAGNET V2	SPEED MAGNET BREAKING FEET V2
31	14278 1	TORN GB 6561-86 M4X10 8.8 ZN	SCREW GB 6561-86 M4X10 8.8 ZP
32	14119 1	TORN GB 6561 M6X12 8.8 ZN	SCREW GB 6561 M6X12 8.8 ZP
36	14280 2	PROTECTOR CERAMICA PARA REF:14629-14628	TILE PROTECTOR SPEED-N/MAGNET
100	18802 1	CJ.SEPARADOR TR/SPEED MAGNET	SEPARATOR SET TR/SPEED MAGNET