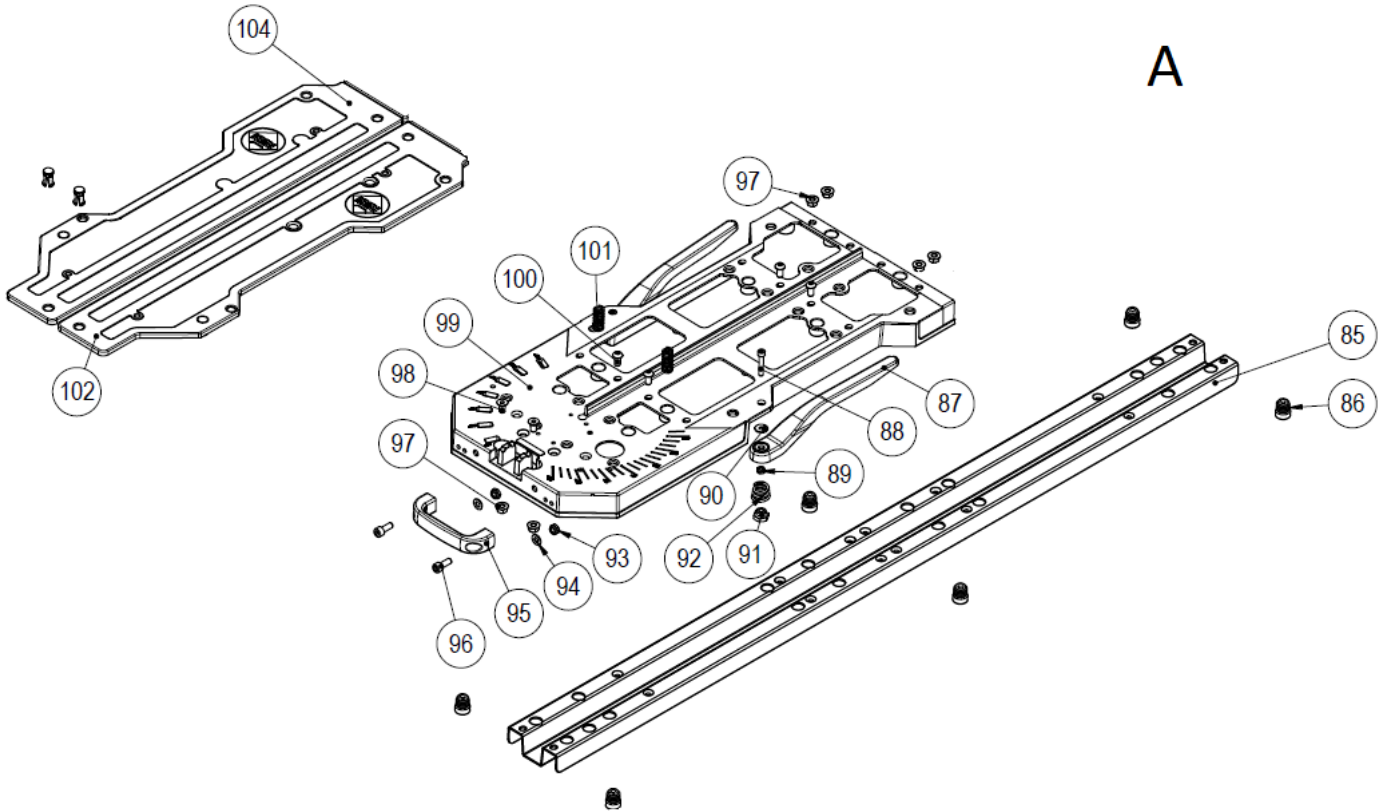


Part-list	ES	EN	Prod.
1	A	GRUPO BASE A	BASE A GROUP
2	B	GRUPO BASE B	BASE B GROUP
3	C	GRUPO GUIAS	GRUIDE GROUP
4	D	GRUPO ESCUADRA	SQUARE GROUP
5	E	GRUPO PORTAHERRAMIENTAS	TOOLHOLDER GROUP

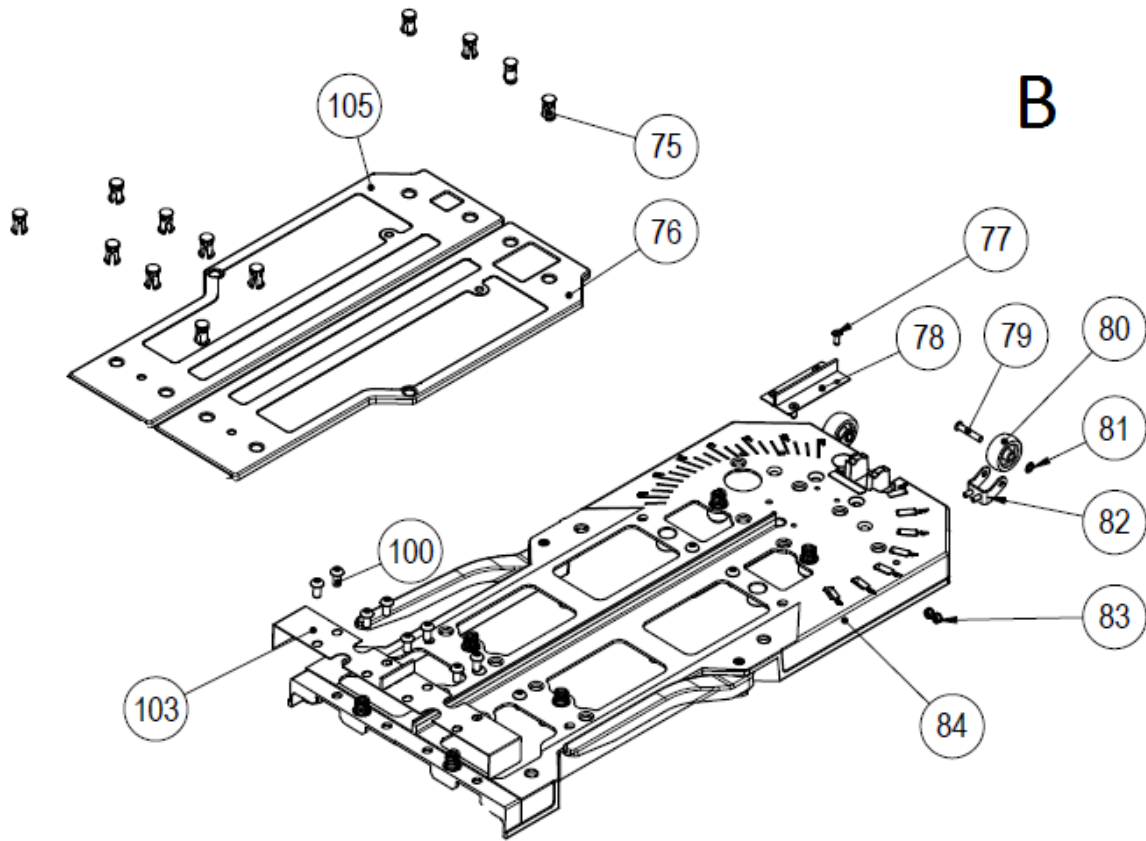
Prod.	ES	EN	From serial num.
17974	TX-1200-N V2 -CORTADOR MANUAL	TX-1200-N	17778
17977	TX-1200-N V2 INCH -CORTADOR MANUAL	TX-1200-N V2 "INCH"	17778

Queda reservado el derecho de introducir cualquier modificacion técnica sin previo aviso

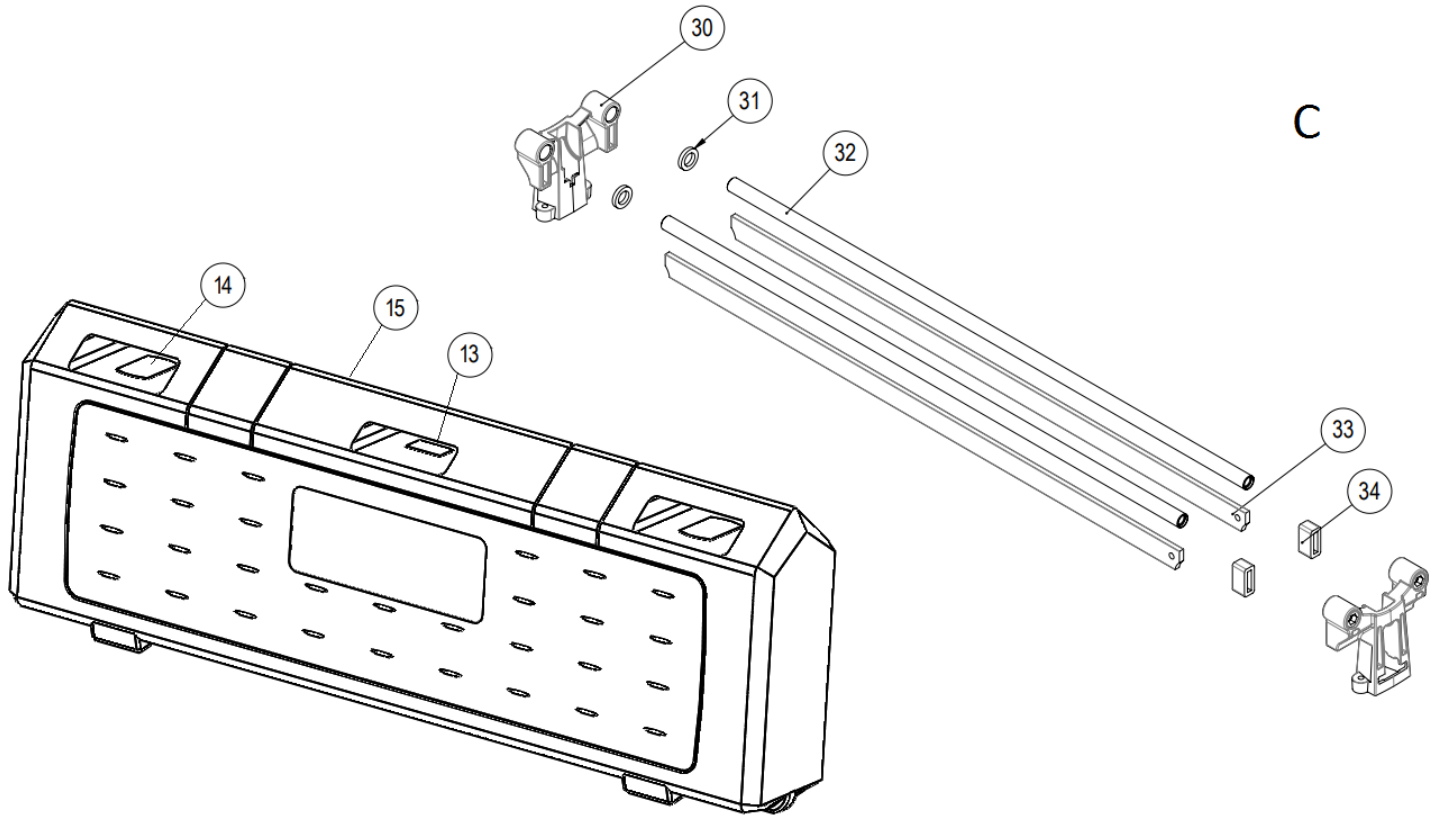
We reserve the right to introduce any technical modification without previous notice



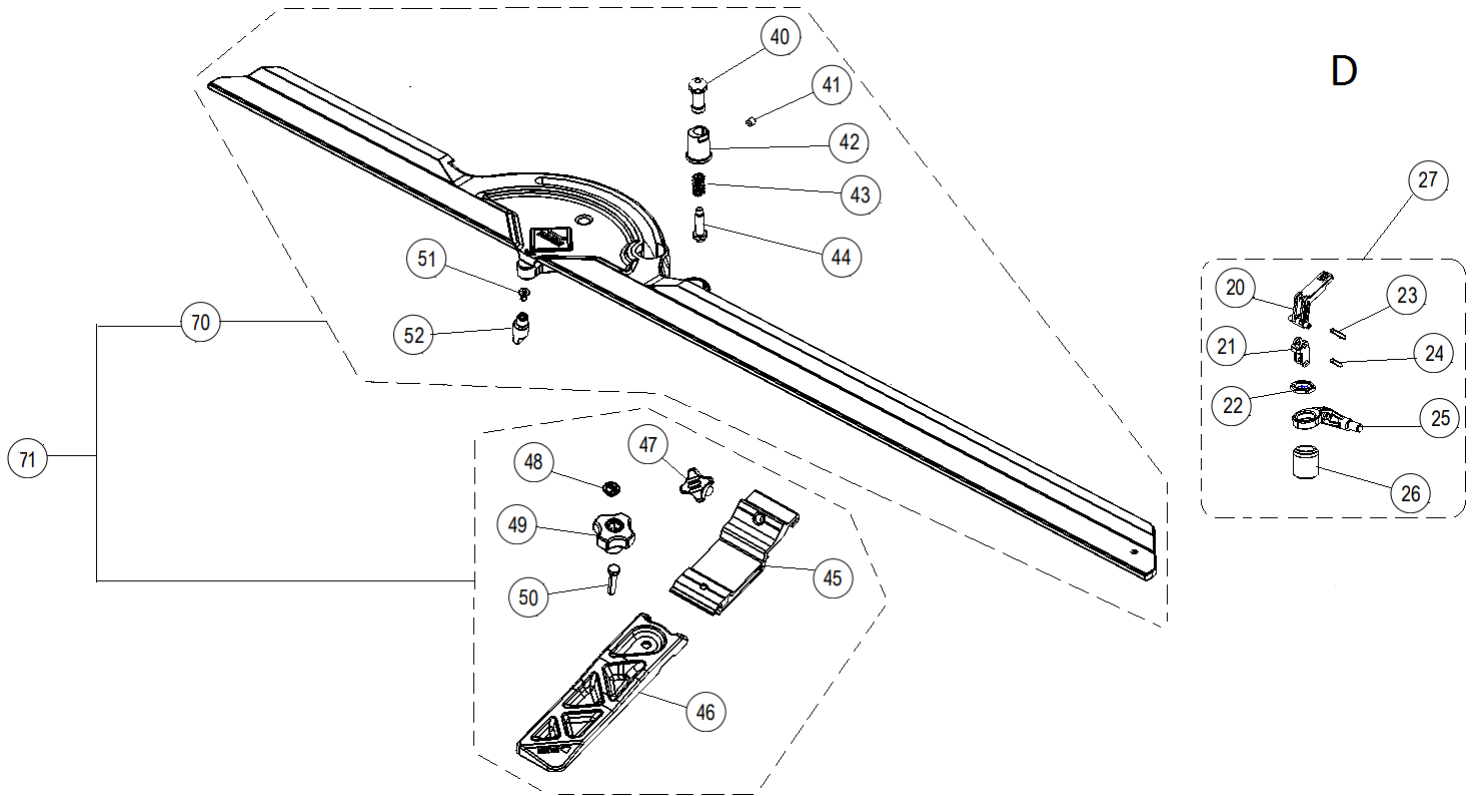
Part-list	ES	EN	Prod.
85	17050 1	REFUERZO BASE TX-1200 V2	BASE REINFORCEMENT TX-1200 V2
86	17549 6	CONTERA GOMA ESF.Ø 21X25	RUBBER ROUND RIBBED INSERT Ø21X25
87	12081 4	BRAZO LATERAL TI/TX	ARM LATERAL TI/TX
88	17177 4	TORN DIN 912 M6X35 6.8 ZN	SCREW DIN 912 M6X35 6.8 ZP
89	40020 4	TUERCA DIN 985 M6 CL8 ZN AUTOBLOC	HEX LOCK NUT DIN 985 M6 CL8 ZP
90	50002 4	ARAND DIN 9021 A6,4 PA	WASHER DIN 9021 A6,4 PA
91	12114 4	TUERCA ESPECIAL TI	NUT ESPECIAL TI
92	12095 4	MUELLE CONICO TI	CONIC SPRING TI
93	55048 2	TUERCA DIN 985 M8 CL8 ZN AUTOBL.	HEX LOCK NUT DIN 985 M8 CL8 ZP
94	45056 2	ARAND DIN 125 A8,4 ZN	WASHER DIN 125 A8,4 ZP
95	45342 1	ASA PLASTICO 116MM M8	PLASTIC HANDLE 116MM M8
96	60432 2	TORN DIN 912 M8X20 6.8 ZN BLANCO	SCREW DIN 912 M8X20 6.8
97	57335 8	TUERCA DIN 6923 M8 CL8 ZN	NUT DIN 6923 M8 CL8 ZP
98	55095 4	TORN DIN 7991 M8X16 8.8 ZN	SCREW DIN 7991 M8X16 8.8 ZP
99	17604 1	BASE TX-1200 V3 INY.	BASE TX-1200 V3
101	12097 8	MUELLE COMPRESION 35,2X13 Ø1,7	COMPRESSION SPRING 35,2X13 Ø1,7
102	17012 1	BASE FLOTANTE IZQ.TX-700 V2	FLOATING BASE LEFT TX-700 V2
104	17011 1	BASE FLOTANTE DER.TX-700 V2	FLOATING BASE RIGHT TX-700 V2



Part-list	ES	EN	Prod.
75	12086 17	CLIP BASE FLOTANTE TI	CLIP FLOATING BASE TI
76	17032 1	BASE FLOTANTE IZQ.TX-1200 V2	FLOATING BASE LEFT TX-1200 V2
77	57035 4	REMACHE DIN 7337-A Ø 5X12 AL/S	ALUMINIUM RIVET W/BORE 5X12
78	17056 1	REFUERZO COSTILLA TX-1200 V2	RIB REINFORCEMENT TX-1200 V2
79	13111 2	EJE PISADOR RAPID	BREAKING FEET AXLE RAPID
80	17367 2	RUEDA Ø 42 MM	WHEEL DIA.42 MM
81	12418 2	ARAND DIA.6 RETEN. ZN BLANCO	WASHER DIA.6 ZP
82	17373 2	HORQUILLA RUEDA TX-N V2	WHEEL FORK TX-N V2
83	70104 4	TUERCA DIN 6923 M5 CL8 ZN	NUT DIN 6923 M5 CL8 ZP
84	17605 1	BASE TX-1200 V3 S/MEC. INY.	BASE TX-1200 V2 S/MEC.
100	47059 16	TORN ISO 7380 M8X16 ULS 6.8 ZN	SCREW ISO 7380 M8X16 (ULS) 6.8 ZP
103	17608 1	EMPALME BASE TX-1200 V3	JOINT BASE TX-1200 V3
105	17031 1	BASE FLOTANTE DER.TX-1200 V2	FLOATING BASE RIGHT TX-1200 V2

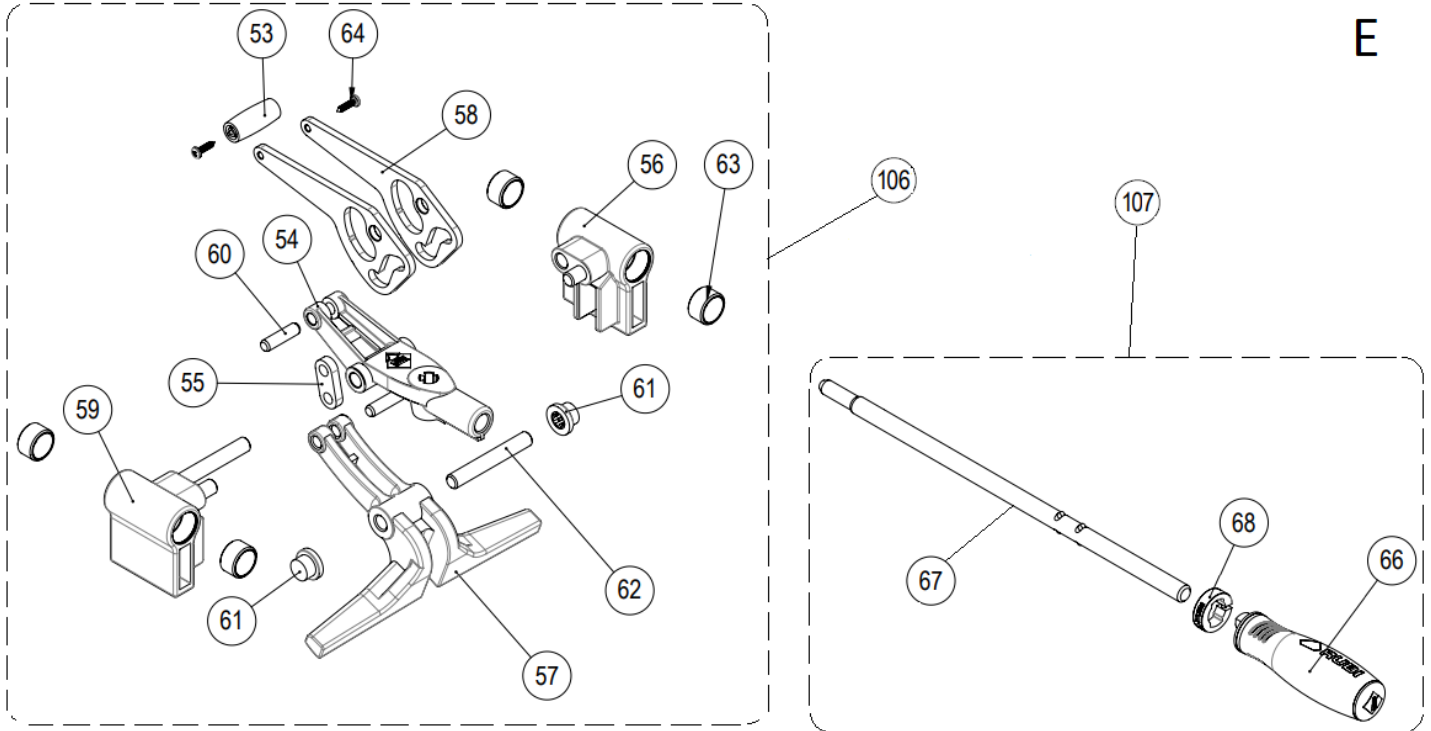


Part-list	ES	EN	Prod.
13	15829 1	CIERRE MALETA 54X31 CENTRAL TX V2	PLASTIC LATCH 54X31 CENTRAL TX V2
14	15761 1	CIERRE MALETA 89X54 TS50/60,TR, TM, TX	PLASTIC LATCH 89X54 (TS50/60,TR, TM, TX)
15	17877 1	CJ.MALETA TX-1200-N V2	CASE TX-1200-N V2
30	16102 2	SOPORTE GUIAS TX V5	GUIDE SUPPORT TX V5
31	16026 2	TOPE CORREDERA Ø17,5X28X5	CARRIER TOP TM/TX
32	16105 2	GUIA Ø 18X3 L=1400,5 CROMADA	CHROMING GUIDE Ø 18X3 L=1400,5
33	17678 2	PERFIL 7X30X1394 ENDEREZADO	PROFILE 7X30X1394
34	17016 2	TOPE CORREDERAS TX	CARRIER TOP TX
35	17020 4	TORN DIN 912 M14X25 8.8 PVN	SCREW DIN 912 M14X25 8.8 BLUED



Part-list	ES	EN	Prod.	
20	12099 1	PALANCA BRIDA TI	FLANGE LEVER TI	
21	12079 1	BIELA PISADOR TI	CONNECTING ROD PITCHER TI	
22	12509 1	TUERCA M18X1 H4 LATON	NUT M18X1 H4 LATON	
23	12127 1	PASADOR DIN 6325 Ø 5X22	PIN DIN 6325 DIA.5X22	
24	12123 1	PASADOR DIN 1475 Ø 5X13,2	PIN DIN 1475 DIA.5X13,2	
25	12472 1	BRIDA ESCUADRA M18 TI/TX	SQUARE CLAMP M18 TI/TX	
26	12530 1	SOPORTE PISADOR TI/TX MOLETEADO	PRESSING SUPPORT TI/TX	
27	12815 1	CJ.PISADOR ESCUADRA TI/TX	SQUARE BREAKING FEET SET TI/TX	
40	12190 1	BOTON ANCLAJE TI/R V2	LOCKING BUTTON TI/R V2	
41	12491 1	PRISIONERO DIN 916 M5X6	PIN DIN 916 M5X6	
42	12438 1	CUERPO TOPE TI/TX V3	BODY TOP TI/TX V3	
43	12403 1	MUELLE COMPRESION 15,2X7,8 Ø0,8	COMPRESSION SPRING 15,2X7,8 Ø0,8	
44	12416 1	EJE GRADUACION TI/TX V3 PRESELLADO	ADJUSTING SHAFT TI/TX V3	
45	18683 1	GUIA TOPE LATERAL TX MAX	LATERAL TOP GUIDE TX MAX	
46	18424 1	TOPE LATERAL GIRATORIO TR MAGNET	ROTATING LATERAL TOP TR MAGNET	
47	12102 1	POMO M10X25 PA	PLASTIC KNOB M10X25 PA	
48	57485 1	TAPON POMO M6 ROJO	RED COVER KNOB M6	
49	13255 1	POMO M6 ESTANDAR ROJO V2	RED STANDARD M6 KNOB V2	
50	7357 1	TORN DIN 933 M6X30 6.8 ZN	SCREW DIN 933 M6X30 6.8 ZP	
51	60039 1	TORN DIN 965 M4X8 6.8 ZN	SCREW DIN 7981 3,5X9,5 6.8 ZP	
52	12799 1	INSERTO BASE TX/TI Ø 8 EXCENTRICO	ECCENTRIC BASE INSERT TX/TI Ø 8	
70	18736 1	REC.ESCUAD.TX-N V2/TP-93-S.MM	SQUARE TX-N/TP-93-S SET MM	17974
70	18737 1	REC.ESCUAD.TX-N V2/TP-93-S.INCH	SQUARE TX-N/TP-93-S SET INCH	17977
71	18746 1	REC.ESCUAD.TX-N V2/TP-93-S.MM C/TOP	SQUARE TX-N V2/TP-93-S SET MM W/STOP	17974
71	18747 1	REC.ESCUAD.TX-N V2/TP-93-S INCH C/TOP	SQUARE TX-N V2/TP-93-S SET INCH W/STOP	17977

E



Part-list	ES	EN	Prod.
53	17650 1	POMO LEVA POSICIONADORA V2	POSITION CAM KNOB V2
54	17065 1	PORTAHERRAM.PINTADO TX	PAINT. TOOLHOLDER TX
55	17207 1	BIELA TR/TX	CONNECTING ROD TR/TX
56	16828 1	CORREDERA TX S/EJE PINTADA ROJO V2	SLIDER WO/AXLE TX PAINTED V2
57	17064 1	PALANCA PISON TX	PITCHER LEVER TX
58	17034 2	LEVA TX	CAM TX
59	16829 1	CORREDERA TX C/EJE PINTADA ROJO V2	SLIDER W/AXLE TX PAINTED V2
60	17100 2	PASADOR CILINDRICO Ø 8X30	CILINDRIC FASTENER DIAM 8X30
61	17035 2	TACO DESLIZANTE TX	SLIDING STOPPER TX
62	17036 1	EJE DESLIZANTE	SLIDING AXLE
63	16030 4	CASQ 18X22X13 SINTER.	BUSHING 18X22X13 SINTER.
64	50211 2	TORN DIN 7981 3,9X16 ST 6.8 ZN	SCREW DIN 7981 3,9X16 ST 6.8 ZP
65	15128 1	MUELLE FRENO PORTAHERRAM.	TOOLHOLDER BRAKE SPRING
66	18361 1	MANGO RESTYLING TS/TR/TX V2	RESTYLING HANDLE TS/TR/TX V2
67	18364 1	VARILLA MANGO RESTYLING TR/TX V2	RESTYLING HANDLE BAR TR/TX V2
68	18316 1	ANILLO MANGO RESTYLING TS	RESTYLING HANDLE RING TS
106	17806 1	CJ.SEPARADOR TX	SEPARATOR SET TX
107	18813 1	CJ.MANGO RESTYLING TR/TX	RESTYLING HANDLE SET TR/TX