

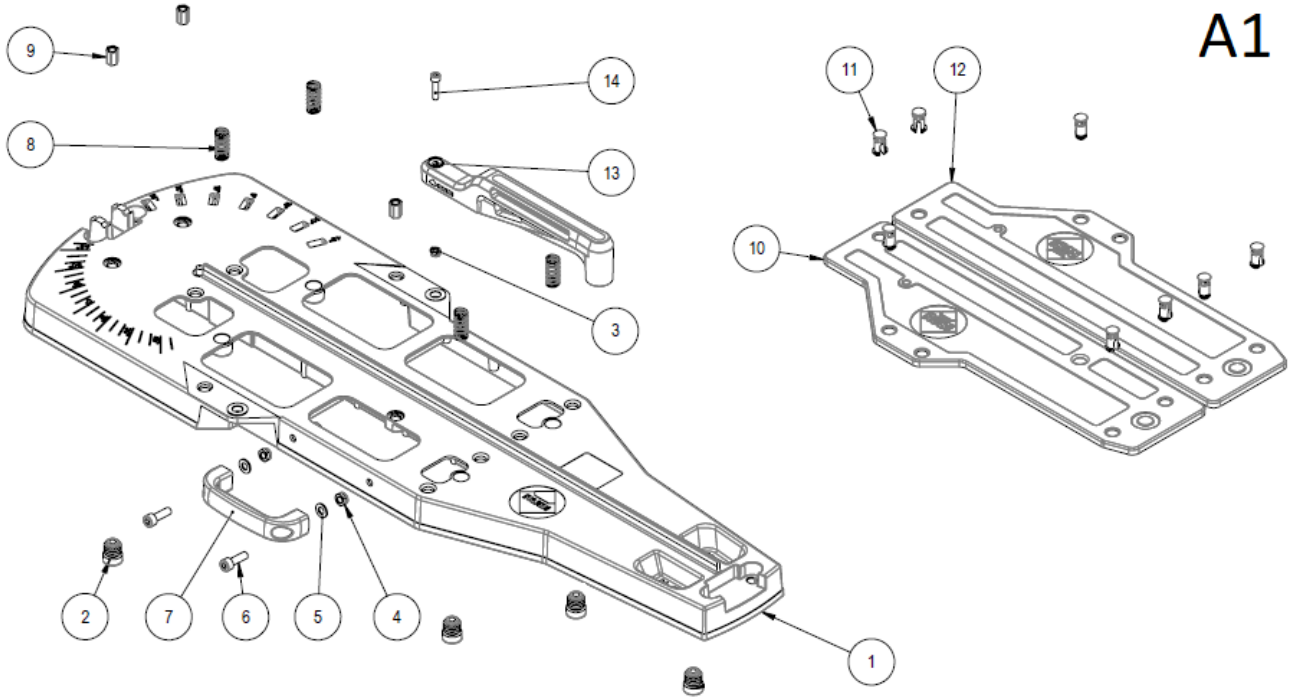
| Part-list | ES | EN | Prod. |
|-----------|-------------------------|---------------------|----------------------------|
| 1 | GRUPO BASE TQ-66/75 | BASE GROUP TQ-66/75 | 12914, 12928, 12954, 12956 |
| 2 | GRUPO BASE TQ-102 | BASE GROUP TQ-102 | 11900, 11902 |
| 3 | GRUPO BASE TQ-125 | BASE GROUP TQ-125 | 11973, 11975 |
| 4 | GRUPO GUIA | GUIDE GROUP | |
| 5 | GRUPO ESCUADRA | SQUARE GROUP | |
| 6 | GRUPO PORTAHERRAMIENTAS | TOOLHOLDER GROUP | |

| Prod. | ES | EN | From serial num. |
|-------|---------------------------------------|----------------------|------------------|
| 11901 | TP-102 T -CORTADOR MANUAL | TP-102 T | 678 |
| 11903 | TP-40 T INCH (102CM) -CORTADOR MANUAL | TP-40 T INCH (102CM) | 537 |
| 11974 | TP-125 T -CORTADOR MANUAL | TP-125 T | 678 |
| 12917 | TP-26 T INCH (66CM) -CORTADOR MANUAL | TP-26 T INCH (66CM) | 1885 |
| 12929 | TP-29 T INCH (75CM) -CORTADOR MANUAL | TP-29 T INCH (75CM) | 2951 |
| 12955 | TP-66 T -CORTADOR MANUAL | TP-66 T | 2830 |
| 12957 | TP-75 T -CORTADOR MANUAL | TP-75 T | 2840 |

Queda reservado el derecho de introducir cualquier modificación técnica sin previo aviso

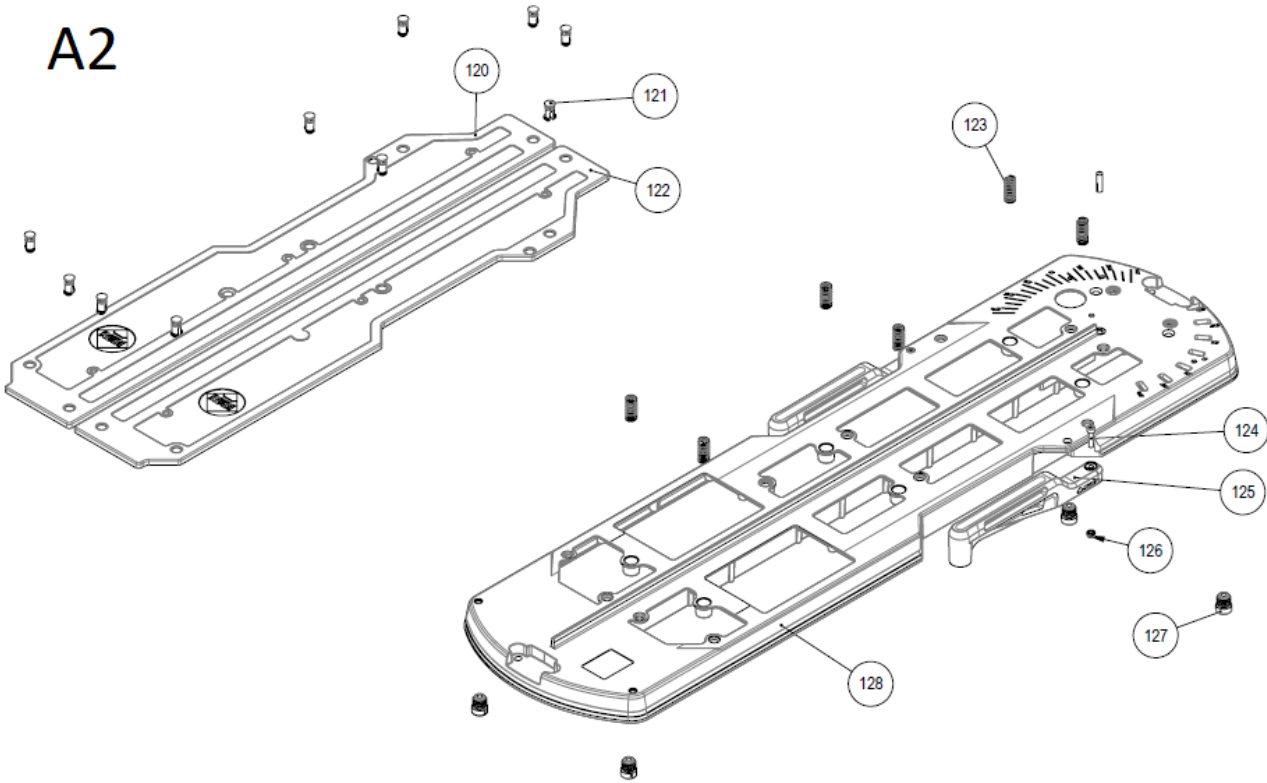
We reserve the right to introduce any technical modification without previous notice

A1



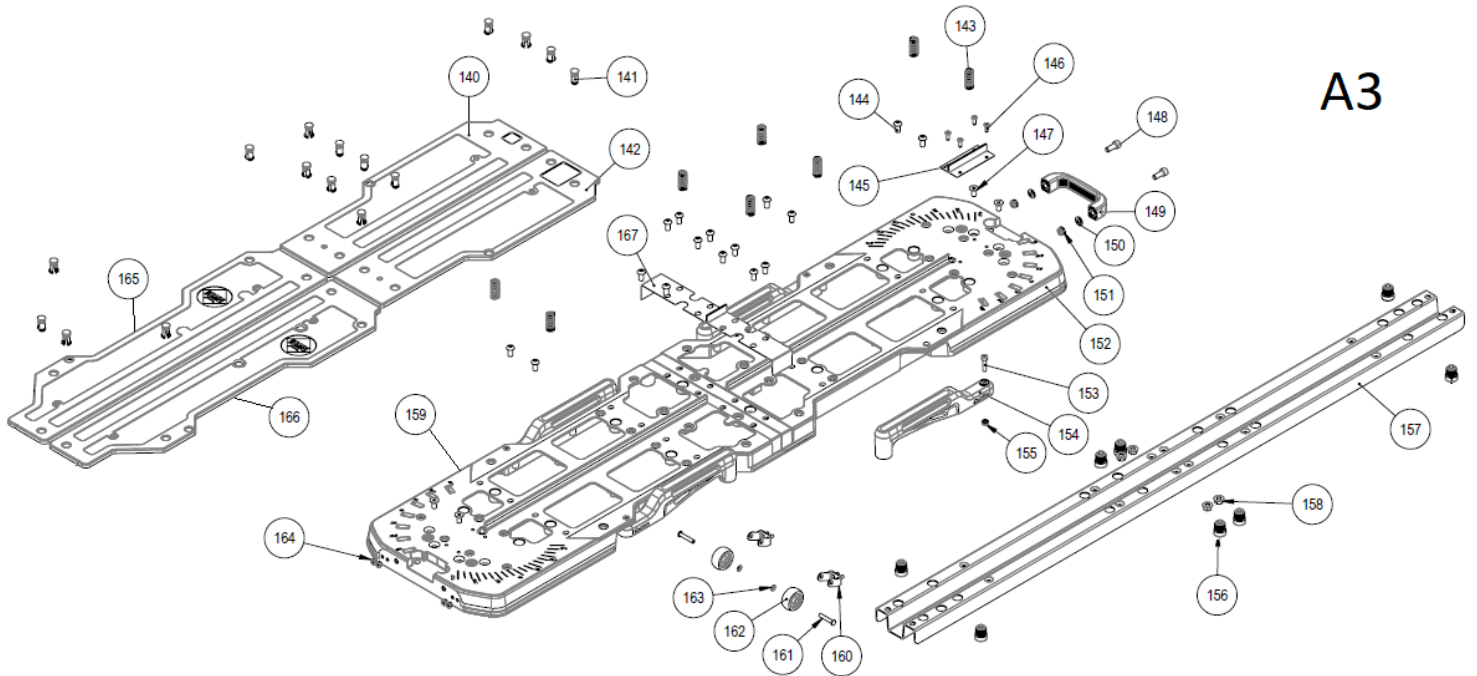
| Part-list | ES | EN | Prod. |
|-----------|---------|-----------------------------------|----------------------------|
| 1 | 12758 1 | BASE TI-75 V5 | 12956, 12928 |
| 1 | 12757 1 | BASE TI-66 V5 | 12954, 12914 |
| 2 | 17549 5 | CONTERA GOMA ESF.Ø 21X25 | 12914, 12928, 12954, 12956 |
| 3 | 40020 1 | TUERCA DIN 985 M6 CL8 ZN AUTOBLOC | 12914, 12928, 12954, 12956 |
| 4 | 55048 2 | TUERCA DIN 985 M8 CL8 ZN AUTOBL. | 12914, 12928, 12954, 12956 |
| 5 | 45056 2 | ARAND DIN 125 A8,4 ZN | 12914, 12928, 12954, 12956 |
| 6 | 16091 2 | TORN DIN 912 M8X25 6.8 ZN NEGRO | 12914, 12928, 12954, 12956 |
| 7 | 45342 1 | ASA PLASTICO 116MM M8 | 12914, 12928, 12954, 12956 |
| 8 | 12097 4 | MUELLE COMPRESION 35,2X13 Ø1,7 | 12914, 12928, 12954, 12956 |
| 9 | 57318 3 | TUERCA REMACHABLE M8 C/V HEX | 12914, 12928, 12954, 12956 |
| 10 | 12156 1 | BASE FLOTANTE DERECHA TI V2 | 12914, 12928, 12954, 12956 |
| 11 | 12086 8 | CLIP BASE FLOTANTE TI | 12914, 12928, 12954, 12956 |
| 12 | 12155 1 | BASE FLOTANTE IZQUIERDA TI V2 | 12914, 12928, 12954, 12956 |
| 13 | 18695 1 | BRAZO DE APOYO TX MAX | 12914, 12928, 12954, 12956 |
| 14 | 55038 1 | TORN DIN 912 M6X25 6.8 ZN | 12914, 12928, 12954, 12956 |

A2

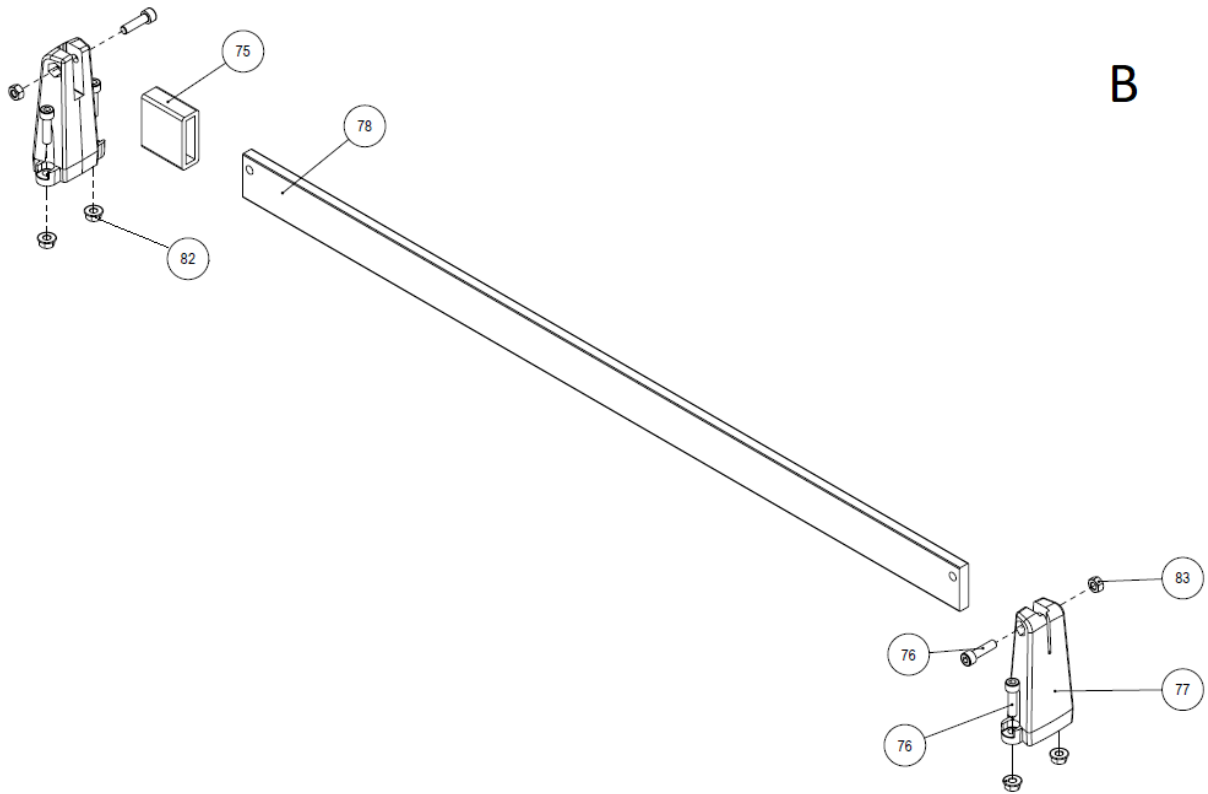


| Part-list | ES | EN | Prod. |
|--------------|-----------------------------------|-----------------------------------|--------------|
| 120 17015 1 | BASE FLOTANTE IZQ.TX-900 V2 | FLOATING BASE LEFT TX-900 V2 | 11900, 11902 |
| 121 12086 10 | CLIP BASE FLOTANTE TI | CLIP FLOATING BASE TI | 11900, 11902 |
| 122 17014 1 | BASE FLOTANTE DER.TX-900 V2 | FLOATING BASE RIGHT TX-900 V2 | 11900, 11902 |
| 123 12097 6 | MUELLE COMPRESION 35,2X13 Ø1,7 | COMPRESSION SPRING 35,2X13 Ø1,7 | 11900, 11902 |
| 124 55038 2 | TORN DIN 912 M6X25 6.8 ZN | SCREW DIN 912 M6X25 6.8 ZP | 11900, 11902 |
| 125 18695 2 | BRAZO DE APOYO TX MAX | SUPPORT ARM TX MAX | 11900, 11902 |
| 126 40020 2 | TUERCA DIN 985 M6 CL8 ZN AUTOBLOC | HEX LOCK NUT DIN 985 M6 CL8 ZP | 11900, 11902 |
| 127 17549 4 | CONTERA GOMA ESF.Ø 21X25 | RUBBER ROUND RIBBED INSERT Ø21X25 | 11900, 11902 |
| 128 14175 1 | BASE TQ-1000 | BASE TQ-1000 | 11900, 11902 |

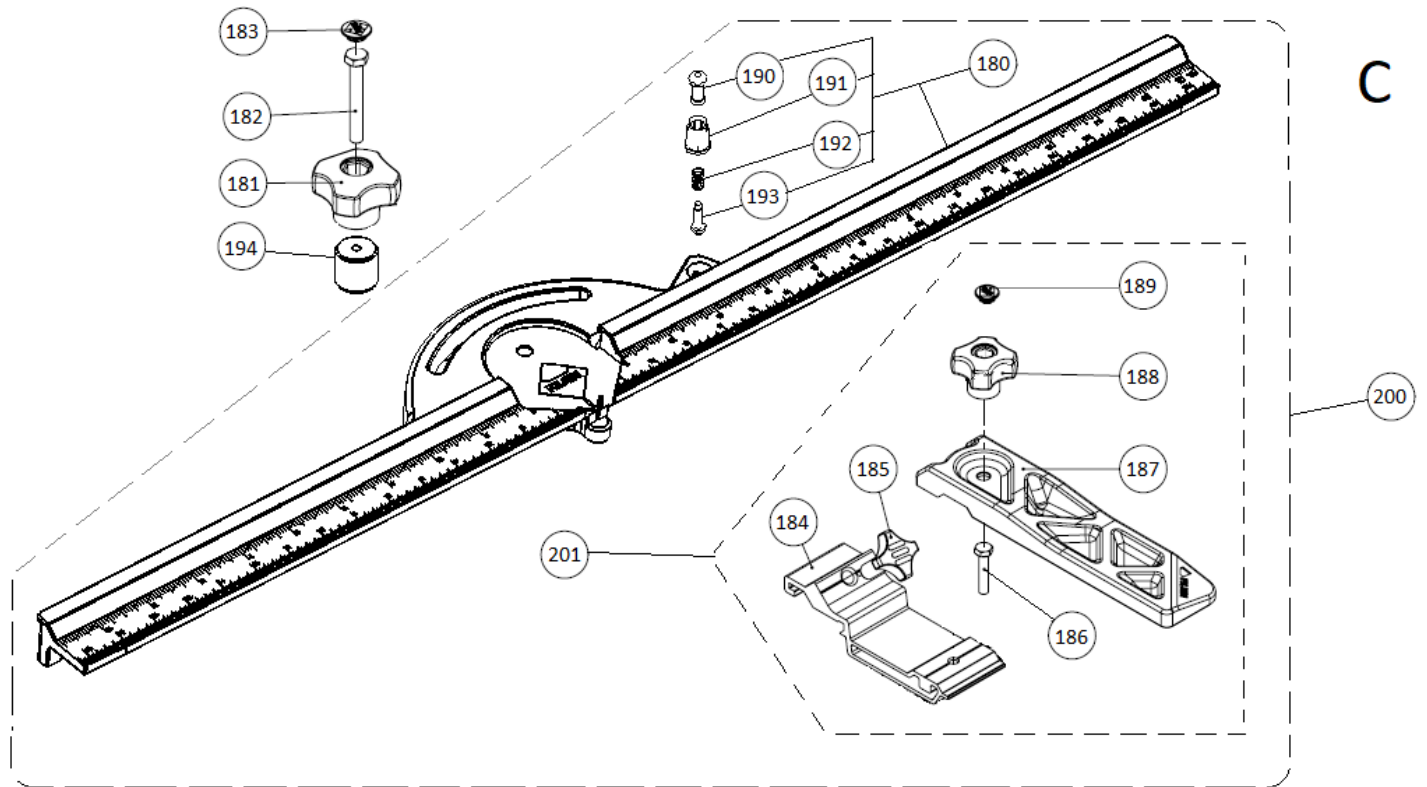
A3



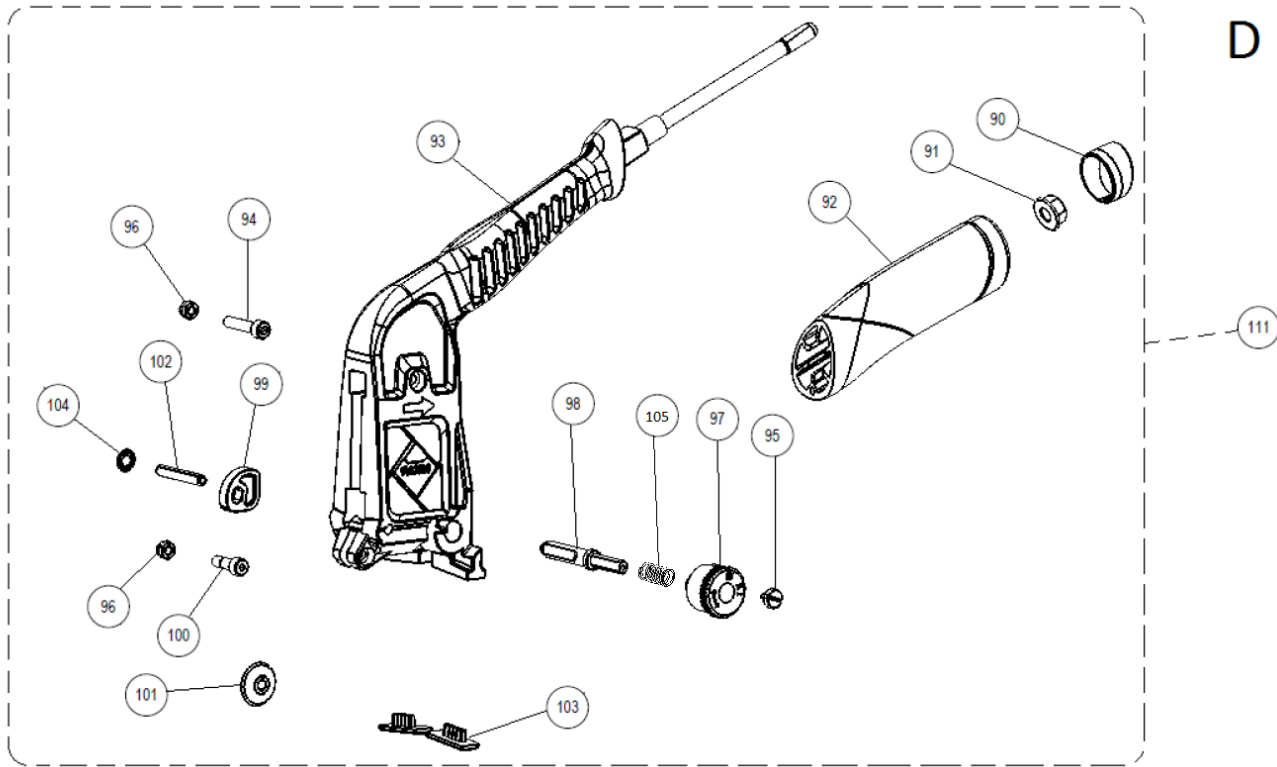
| Part-list | ES | EN | Prod. | |
|-----------|----------|-----------------------------------|-----------------------------------|--------------|
| 140 | 17031 1 | BASE FLOTANTE DER.TX-1200 V2 | FLOATING BASE RIGHT TX-1200 V2 | 11973, 11975 |
| 141 | 12086 16 | CLIP BASE FLOTANTE TI | CLIP FLOATING BASE TI | 11973, 11975 |
| 142 | 17032 1 | BASE FLOTANTE IZQ.TX-1200 V2 | FLOATING BASE LEFT TX-1200 V2 | 11973, 11975 |
| 143 | 12097 8 | MUELLE COMPRESION 35,2X13 Ø1,7 | COMPRESSION SPRING 35,2X13 Ø1,7 | 11973, 11975 |
| 144 | 47059 16 | TORN ISO 7380 M8X16 ULS 6.8 ZN | SCREW ISO 7380 M8X16 (ULS) 6.8 ZP | 11973, 11975 |
| 145 | 16296 1 | REFUERZO COSTILLA TX-1200 V2 ROJO | RIB REINFORCEMENT TX-1200 V2 RED | 11973, 11975 |
| 146 | 57035 4 | REMACHE DIN 7337-A Ø 5X12 AL/S | ALUMINIUM RIVET W/BORE 5X12 | 11973, 11975 |
| 147 | 55095 4 | TORN DIN 7991 M8X16 8.8 ZN | SCREW DIN 7991 M8X16 8.8 ZP | 11973, 11975 |
| 148 | 60432 2 | TORN DIN 912 M8X20 6.8 ZN BLANCO | SCREW DIN 912 M8X20 6.8 | 11973, 11975 |
| 149 | 45342 1 | ASA PLASTICO 116MM M8 | PLASTIC HANDLE 116MM M8 | 11973, 11975 |
| 150 | 45056 2 | ARAND DIN 125 A8,4 ZN | WASHER DIN 125 A8,4 ZP | 11973, 11975 |
| 151 | 55048 2 | TUERCA DIN 985 M8 CL8 ZN AUTOBL. | HEX LOCK NUT DIN 985 M8 CL8 ZP | 11973, 11975 |
| 152 | 18687 1 | BASE TX-1200 V5 S/MEC.INY. | BASE TX-1200 V5 S/MEC. | 11973, 11975 |
| 153 | 55038 4 | TORN DIN 912 M6X25 6.8 ZN | SCREW DIN 912 M6X25 6.8 ZP | 11973, 11975 |
| 154 | 18695 4 | BRAZO DE APOYO TX MAX | SUPPORT ARM TX MAX | 11973, 11975 |
| 155 | 40020 4 | TUERCA DIN 985 M6 CL8 ZN AUTOBLOC | HEX LOCK NUT DIN 985 M6 CL8 ZP | 11973, 11975 |
| 156 | 17549 8 | CONTERA GOMA ESF.Ø 21X25 | RUBBER ROUND RIBBED INSERT Ø21X25 | 11973, 11975 |
| 157 | 18697 1 | REFUERZO BASE TX-1200 V3 | BASE REINFORCEMENT TX-1200 V3 | 11973, 11975 |
| 158 | 57335 4 | TUERCA DIN 6923 M8 CL8 ZN | NUT DIN 6923 M8 CL8 ZP | 11973, 11975 |
| 159 | 18685 1 | BASE TX-1200 V5 INY. | BASE TX-1200 V5 | 11973, 11975 |
| 160 | 17373 2 | HORQUILLA RUEDA TX-N V2 | WHEEL FORK TX-N V2 | 11973, 11975 |
| 161 | 13111 2 | EJE PISADOR RAPID | BREAKING FEET AXLE RAPID | 11973, 11975 |
| 162 | 17367 2 | RUEDA Ø 42 MM | WHEEL DIA.42 MM | 11973, 11975 |
| 163 | 12418 2 | ARAND DIA.6 RETEN. ZN BLANCO | WASHER DIA.6 ZP | 11973, 11975 |
| 164 | 70104 4 | TUERCA DIN 6923 M5 CL8 ZN | NUT DIN 6923 M5 CL8 ZP | 11973, 11975 |
| 165 | 17011 1 | BASE FLOTANTE DER.TX-700 V2 | FLOATING BASE RIGHT TX-700 V2 | 11973, 11975 |
| 166 | 17012 1 | BASE FLOTANTE IZQ.TX-700 V2 | FLOATING BASE LEFT TX-700 V2 | 11973, 11975 |
| 167 | 18698 1 | EMPALME BASE TX-1200 V4 | JOINT BASE TX-1200 V4 | 11973, 11975 |



| Part-list | ES | EN | Prod. | |
|-----------|---------|----------------------------------|----------------------------------|--------------|
| 75 | 12769 1 | TOPE CORREDERAS TP 50X12X54 | CARRIER TOP TP 50X12X54 | |
| 76 | 12106 6 | TORN DIN 912 M8X30 6.8 ZN BLANCO | SCREW DIN 912 M8X30 6.8 ZP WHITE | |
| 77 | 12764 2 | SOPORTE GUIA 50X12 TP | GUIDE SUPPORT 50X12 TP | |
| 78 | 12766 1 | GUIA TP-75 50X12X951 V3 | GUIDE TP-75 50X12X951 V3 | 12956, 12928 |
| 78 | 12767 1 | GUIA TP-102 50X12X1205,5 | GUIDE TP-102 50X12X1205,5 | 11900, 11902 |
| 78 | 12768 1 | GUIA TP-125 50X12X1424 | GUIDE TP-125 50X12X1424 | 11973, 11975 |
| 78 | 12765 1 | GUIA TP-66 50X12X861 V3 | GUIDE TP-66 50X12X861 V3 | 12954, 12914 |
| 82 | 57335 4 | TUERCA DIN 6923 M8 CL8 ZN | NUT DIN 6923 M8 CL8 ZP | |
| 83 | 45055 2 | TUERCA DIN 934 M8 CL8 ZN | HEX NUT DIN 934 M8 CL8 ZP | |



| Part-list | ES | EN | Prod. |
|-------------|-------------------------------------|-----------------------------------|----------------------------|
| 180 18742 1 | RECAMBIO ESCUADRA TP-T MM | SQUARE SET TP-T MM | 12954, 12956, 11900, 11973 |
| 180 18743 1 | RECAMBIO ESCUADRA TP-T INCH | SQUARE SET TP-T INCH | 12914, 12928, 11902, 11975 |
| 181 45427 1 | POMO M8 ROJO V2 | RED KNOB M8 V2 FOR LEG | |
| 182 56013 1 | TORN DIN 933 M8X90 6.8 ZN | SCREW DIN 933 M8X90 6.8 ZP | |
| 183 17332 1 | TAPON POMO M8 ROJO | RED KNOB CAP M8 | |
| 184 18828 1 | GUIA TOPE LATERAL TX MAX V2 | LATERAL TOP GUIDE TX MAX V2 | |
| 185 12102 1 | POMO M10X25 PA | PLASTIC KNOB M10X25 PA | |
| 186 7357 1 | TORN DIN 933 M6X30 6.8 ZN | SCREW DIN 933 M6X30 6.8 ZP | |
| 187 16499 1 | TOPE LATERAL GIRATORIO TR MAGNET V2 | ROTATING LATERAL TOP TR MAGNET V2 | |
| 188 13255 1 | POMO M6 ESTANDAR ROJO V2 | RED STANDARD M6 KNOB V2 | |
| 189 57485 1 | TAPON POMO M6 ROJO | RED COVER KNOB M6 | |
| 190 12190 1 | BOTON ANCLAJE TI/R V2 | LOCKING BUTTON TI/R V2 | |
| 191 12438 1 | CUERPO TOPE TI/TX V3 | BODY TOP TI/TX V3 | |
| 192 12403 1 | MUELLE COMPRESION 15,2X7,8 Ø0,8 | COMPRESSION SPRING 15,2X7,8 Ø0,8 | |
| 193 12416 1 | EJE GRADUACION TI/TX V3 PRESELLADO | ADJUSTING SHAFT TI/TX V3 | |
| 194 12619 1 | CASQ M8X31X30 POM | BUSHING M8X31X30 POM | |
| 200 18751 1 | RECAMBIO ESCUADRA TP-T INCH C/TOPE | SQUARE SET TP-T INCH W/STOP | 12914, 12928, 11902, 11975 |
| 200 18750 1 | RECAMBIO ESCUADRA TP-T MM C/TOPE | SQUARE SET TP-T MM W/STOP | 12954, 12956, 11900, 11973 |
| 201 18831 1 | CJ.TOPE LATERAL TX-N | LATERAL STOP SET TX-N | |



D

| Part-list | ES | EN | Prod. |
|-----------|---------|---|----------------------------------|
| 90 | 72045 1 | TAPON MNG.PLASTICO LLANA/PEINE | TROWEL PLASTIC HANDLE TAP |
| 91 | 57335 4 | TUERCA DIN 6923 M8 CL8 ZN | NUT DIN 6923 M8 CL8 ZP |
| 92 | 72044 1 | MANGO RFLX ABIERTO PEINE | OPEN HANDLE RFLX TROWEL |
| 93 | 12777 1 | MANGO TP-T GUIA 12 | GUIDE 12 HANDLE TP-T |
| 94 | 12309 1 | TORN DIN 912 M5X25 6.8 ZN | SCREW DIN 912 M5X25 6.8 ZP |
| 95 | 12412 1 | TORN ESPECIAL TI-T PRESELLADO | SCREW SPECIAL TI-T |
| 96 | 40045 2 | TUERCA DIN 985 M5 CL8 ZN AUTOBLOC | HEX LOCK NUT DIN 985 M5 CL8 ZP |
| 97 | 12402 1 | BOTON MANDO TI-T | BUTTON TI-T |
| 98 | 12470 1 | EJE LEVA TI-T V3 | CAM AXLE TI-T V3 |
| 99 | 12409 1 | LEVA TI-T V2 | CAM TI-T V2 |
| 100 | 55199 1 | TORN DIN 912 M5X16 8.8 ZN | SCREW DIN 912 M5X16 8.8 ZP |
| 101 | 1901 1 | RULINA Ø 22 MM EXTREME PARA SLIM, TP/TQ | SCORING WHEEL Ø 22 MM EXTREME |
| 102 | 12661 1 | PASADOR DIN 1481 Ø 5X35 | PIN DIN 1481 Ø 5X35 |
| 103 | 12588 2 | PROTECCION PISADOR TI ROJO | BREAKING FEET PROTECTION TI RED |
| 104 | 12418 1 | ARAND DIA.6 RETEN. ZN BLANCO | WASHER DIA.6 ZP |
| 105 | 12403 1 | MUELLE COMPRESION 15,2X7,8 Ø0,8 | COMPRESSION SPRING 15,2X7,8 Ø0,8 |
| 111 | 12842 1 | CJ.MANGO TP-T GUIA 12 MONTADO | HANDLE SET TP-T GUIDE 12 |