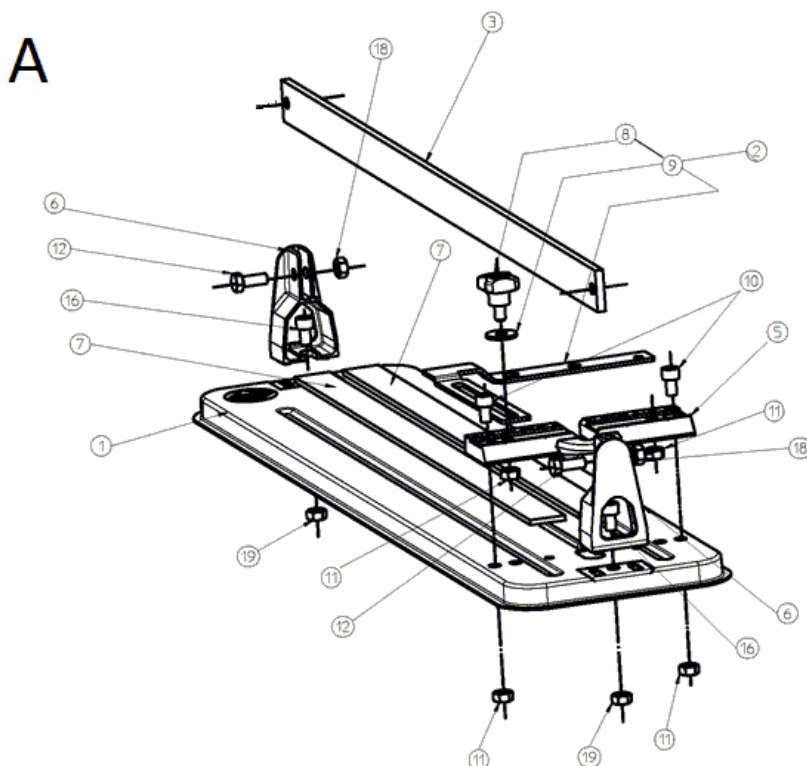


Part-list	ES	EN	Prod.
1	A	GRUPO BASE Y GUIA	BASE AND GUIDE GROUP
2	B	GRUPO PORTAHERRAMIENTAS Y SEPARADOR	TOOLHOLDER GROUP

Prod.	ES	EN	From serial num.
25954	BASIC-40 CON TOPE LATERAL -CORT.MANUAL	BASIC 40 With Lateral Stop	BA000101
25955	BASIC-50 CON TOPE LATERAL -CORT.MANUAL	BASIC 50 With Lateral Stop	BA000101
25956	BASIC-60 CON TOPE LATERAL -CORT.MANUAL	BASIC 60 With Lateral Stop	BA000101

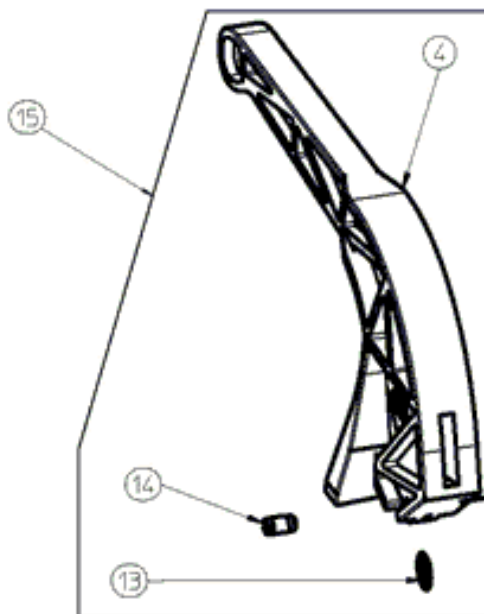
Queda reservado el derecho de introducir cualquier modificacion técnica sin previo aviso

We reserve the right to introduce any technical modification without previous notice



Part-list	ES	EN	Prod.
1	25236 1	BASE BASIC-50	BASE BASIC-50
1	25237 1	BASE BASIC-60	BASE BASIC-60
1	25235 1	BASE BASIC-40	BASE BASIC-40
2	25238 1	TOPE LATERAL BASIC/PRACTIC	BASIC/PRACTIC LATERAL STOP
3	25241 2	GUIA BASIC-40	GUIDE BASIC-40
3	25242 2	GUIA BASIC-50	GUIDE BASIC-50
3	25243 2	GUIA BASIC-60	GUIDE BASIC-60
5	25254 1	ESCUADRA BASIC	SQUARE BASIC
6	25255 2	SOPORTE GUIAS BASIC	GUIDE SUPPORT BASIC
7	12315 2	TIRA GOMA STAR-60	RUBBER BAND STAR-60
7	12261 2	TIRA GOMA STAR-40	RUBBER BAND STAR-40
7	12262 2	TIRA GOMA STAR-50	RUBBER BAND STAR-50
8	17021 1	COM.POMO M6X10 ROJO	RED KNOB SET M6X10
9	45038 1	ARAND DIN 9021 A6,4 ZN	WASHER DIN 9021 A6,4 ZP
10	45043 4	TORN DIN 912 M6X10 6.8 ZN	SCREW DIN 912 M6X10 6.8 ZP
11	15132 8	TUERCA DIN 934 M6 CL8 ZN	HEX NUT DIN 934 M6 CL8 ZP
12	25305 2	TORN DIN 316 M6X16 6.8 ZN MARIPOSA	BUTTERFLY SCREW M6X16 DIN 316 6.8 ZP
16	25312 2	TORN DIN 912 M6X14 6.8 ZN Y ARAND	SCREW DIN 912 M6X14 6.8 ZP & WASHER
18	70246 2	TUERCA DIN 315 M6 ZN MARIPOSA	BUTTERFLY NUT DIN 316 M6 CL8 ZP
19	83035 2	TUERCA DIN 6923 M6 CL8 ZN	NUT DIN 6923 M6 CL8 ZP

B



Part-list	ES	EN	Prod.
4	12709 1	MANETA KIT-30/KIT-40 V2	HANDLE KIT-30/40 V2
13	1960 1	RODEL Ø 14 MM CORTADORES STANDARD	CARBIDE SCORING WHEEL 9/16" (14 mm.)
14	12705 1	EJE RODEL	WHEEL AXLE
15	25811 1	CJ.MANGO Y RULINA BASIC	HANDLE AND SC.WHEEL SET BASIC