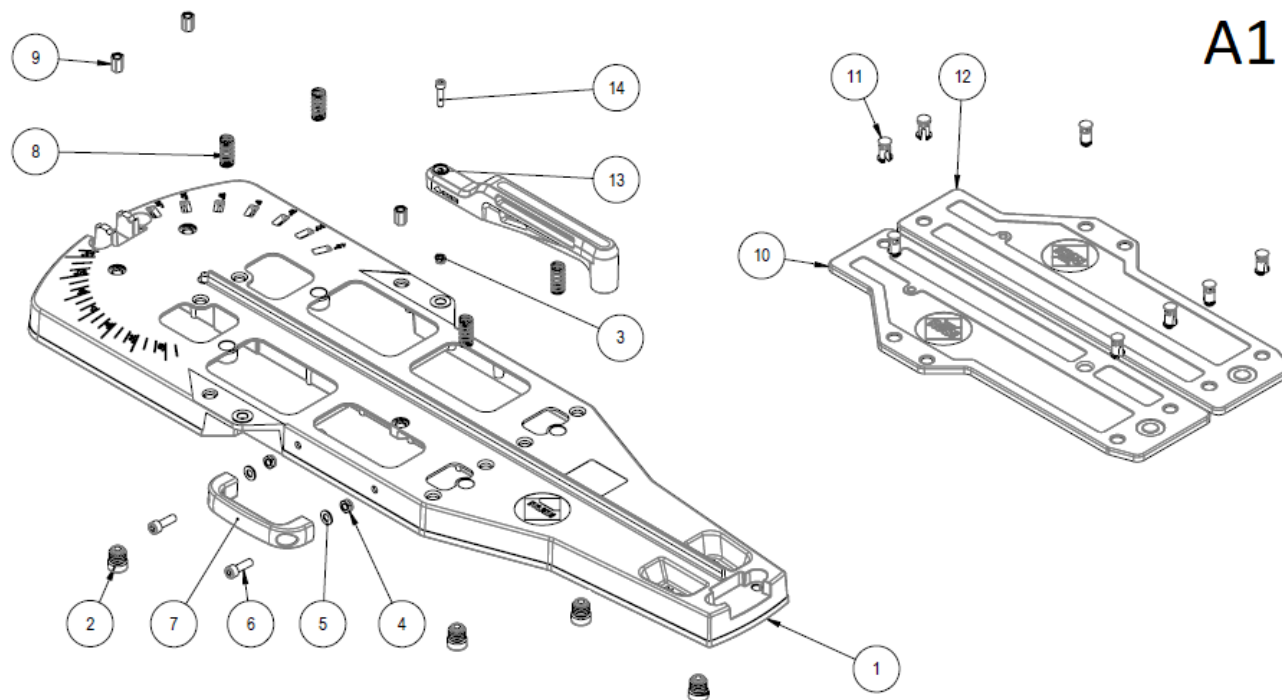


Part-list	ES	EN	Prod.
1 A1	GRUPO BASE TQ-66/75	BASE GROUP TQ-66/75	12914, 12928, 12954, 12956
2 A2	GRUPO BASE TQ-102	BASE GROUP TQ-102	11900, 11902
3 A3	GRUPO BASE TQ-125	BASE GROUP TQ-125	11973, 11975
4 B	GRUPO GUIA	GUIDE GROUP	
5 C	GRUPO ESCUADRA	SQUARE GROUP	
6 D	GRUPO PORTAHERRAMIENTAS	TOOLHOLDER GROUP	

Prod.	ES	EN	From serial num.
11901	TP-102 T -CORTADOR MANUAL	TP-102 T	608
11903	TP-40 T INCH (102CM) -CORTADOR MANUAL	TP-40 T INCH (102CM)	537
11974	TP-125 T -CORTADOR MANUAL	TP-125 T	655
12917	TP-26 T INCH (66CM) -CORTADOR MANUAL	TP-26 T INCH (66CM)	1885
12929	TP-29 T INCH (75CM) -CORTADOR MANUAL	TP-29 T INCH (75CM)	2951
12955	TP-66 T -CORTADOR MANUAL	TP-66 T	2830
12957	TP-75 T -CORTADOR MANUAL	TP-75 T	2770

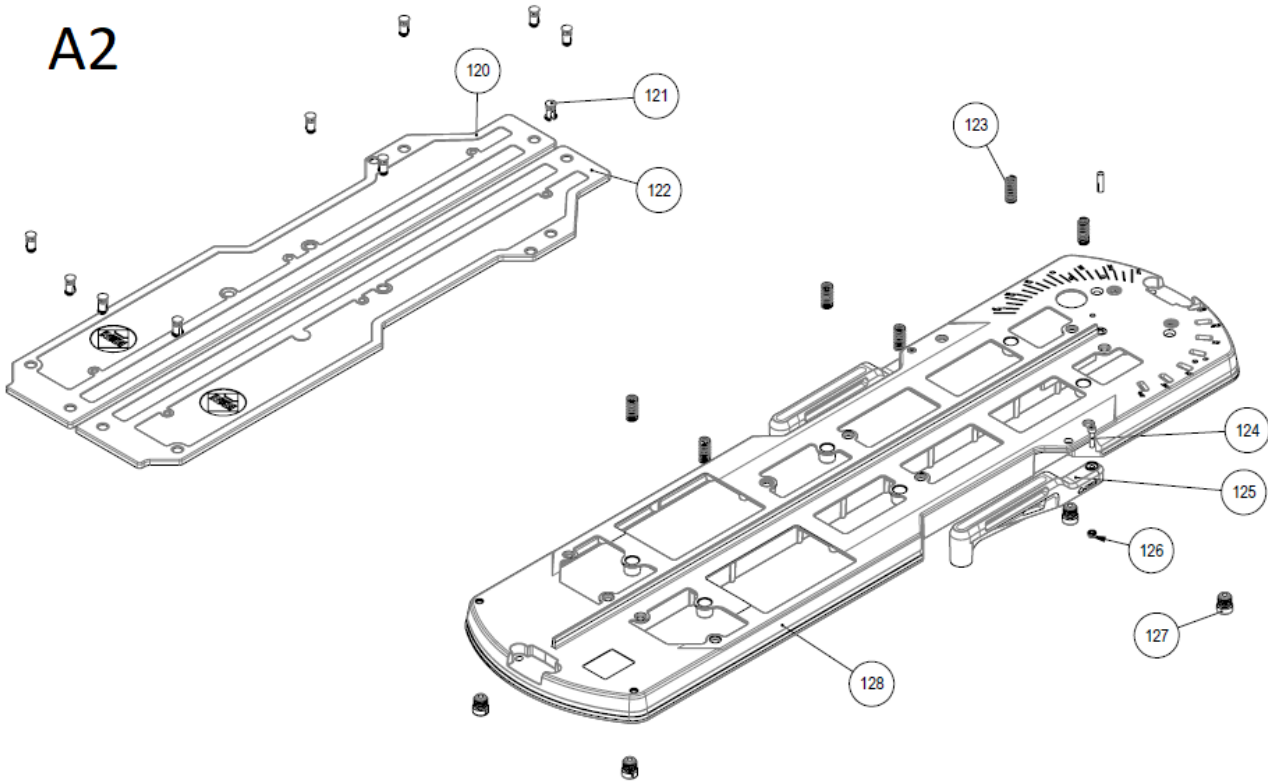
Queda reservado el derecho de introducir cualquier modificacion técnica sin previo aviso

We reserve the right to introduce any technical modification without previous notice



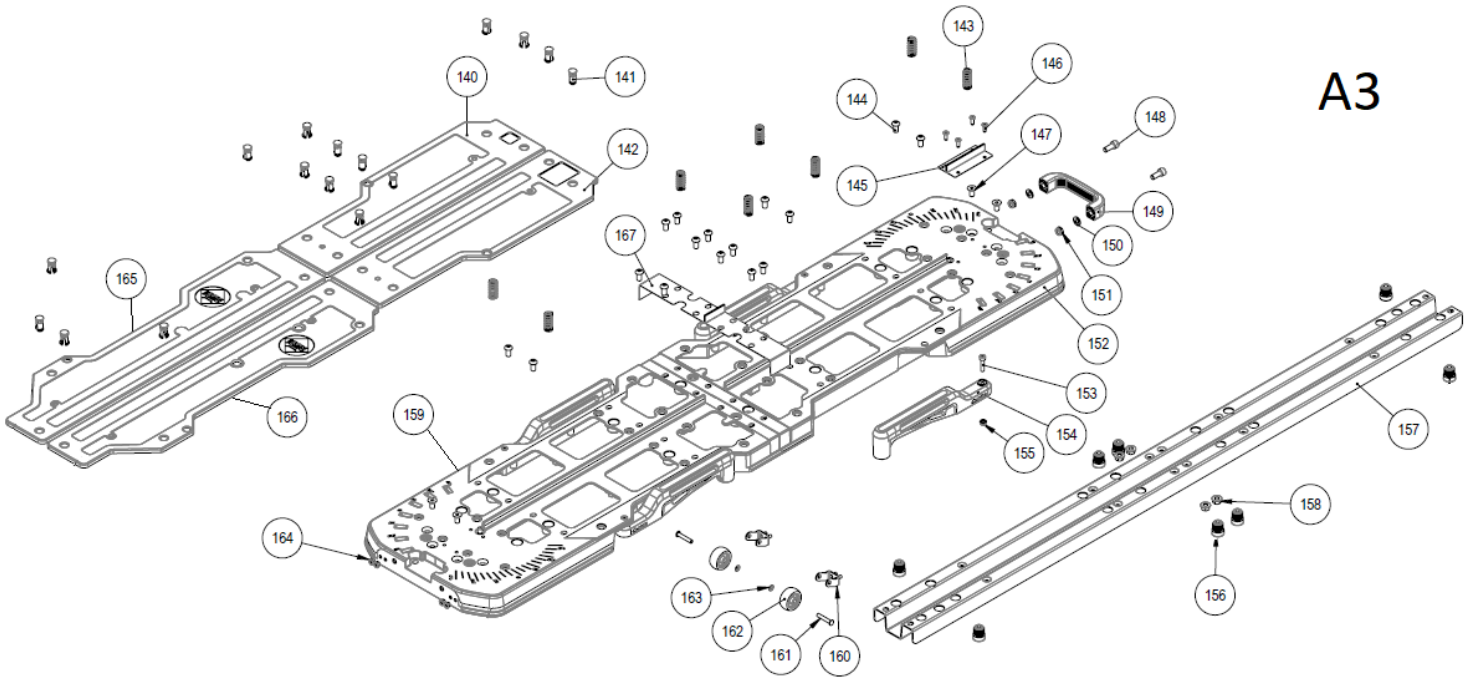
Part-list	ES	EN	Prod.
1	12757 1	BASE TI-66 V5	12954, 12914
1	12758 1	BASE TI-75 V5	12956, 12928
2	17549 5	CONTERA GOMA ESF.Ø 21X25	12914, 12928, 12954, 12956
3	40020 1	TUERCA DIN 985 M6 CL8 ZN AUTOBLOC	12914, 12928, 12954, 12956
4	55048 2	TUERCA DIN 985 M8 CL8 ZN AUTOBL.	12914, 12928, 12954, 12956
5	45056 2	ARAND DIN 125 A8,4 ZN	12914, 12928, 12954, 12956
6	16091 2	TORN DIN 912 M8X25 6.8 ZN NEGRO	12914, 12928, 12954, 12956
7	45342 1	ASA PLASTICO 116MM M8	12914, 12928, 12954, 12956
8	12097 4	MUELLE COMPRESION 35,2X13 Ø1,7	12914, 12928, 12954, 12956
9	57318 3	TUERCA REMACHABLE M8 C/V HEX	12914, 12928, 12954, 12956
10	12156 1	BASE FLOTANTE DERECHA TI V2	12914, 12928, 12954, 12956
11	12086 8	CLIP BASE FLOTANTE TI	12914, 12928, 12954, 12956
12	12155 1	BASE FLOTANTE IZQUIERDA TI V2	12914, 12928, 12954, 12956
13	18695 1	BRAZO DE APOYO TX MAX	12914, 12928, 12954, 12956
14	55038 1	TORN DIN 912 M6X25 6.8 ZN	12914, 12928, 12954, 12956

A2

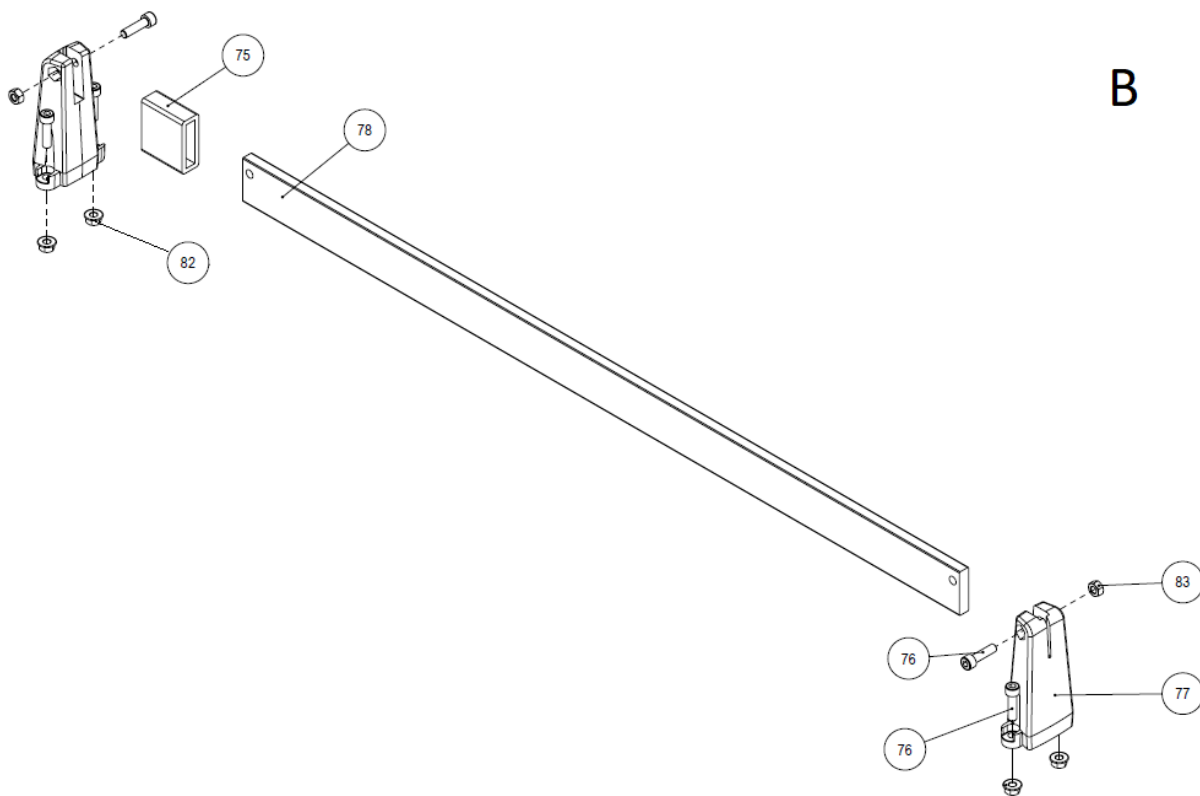


Part-list	ES	EN	Prod.
120 17015 1	BASE FLOTANTE IZQ.TX-900 V2	FLOATING BASE LEFT TX-900 V2	11900, 11902
121 12086 10	CLIP BASE FLOTANTE TI	CLIP FLOATING BASE TI	11900, 11902
122 17014 1	BASE FLOTANTE DER.TX-900 V2	FLOATING BASE RIGHT TX-900 V2	11900, 11902
123 12097 6	MUELLE COMPRESION 35,2X13 Ø1,7	COMPRESSION SPRING 35,2X13 Ø1,7	11900, 11902
124 55038 2	TORN DIN 912 M6X25 6.8 ZN	SCREW DIN 912 M6X25 6.8 ZP	11900, 11902
125 18695 2	BRAZO DE APOYO TX MAX	SUPPORT ARM TX MAX	11900, 11902
126 40020 2	TUERCA DIN 985 M6 CL8 ZN AUTOBLOC	HEX LOCK NUT DIN 985 M6 CL8 ZP	11900, 11902
127 17549 4	CONTERA GOMA ESF.Ø 21X25	RUBBER ROUND RIBBED INSERT Ø21X25	11900, 11902
128 14175 1	BASE TQ-1000	BASE TQ-1000	11900, 11902

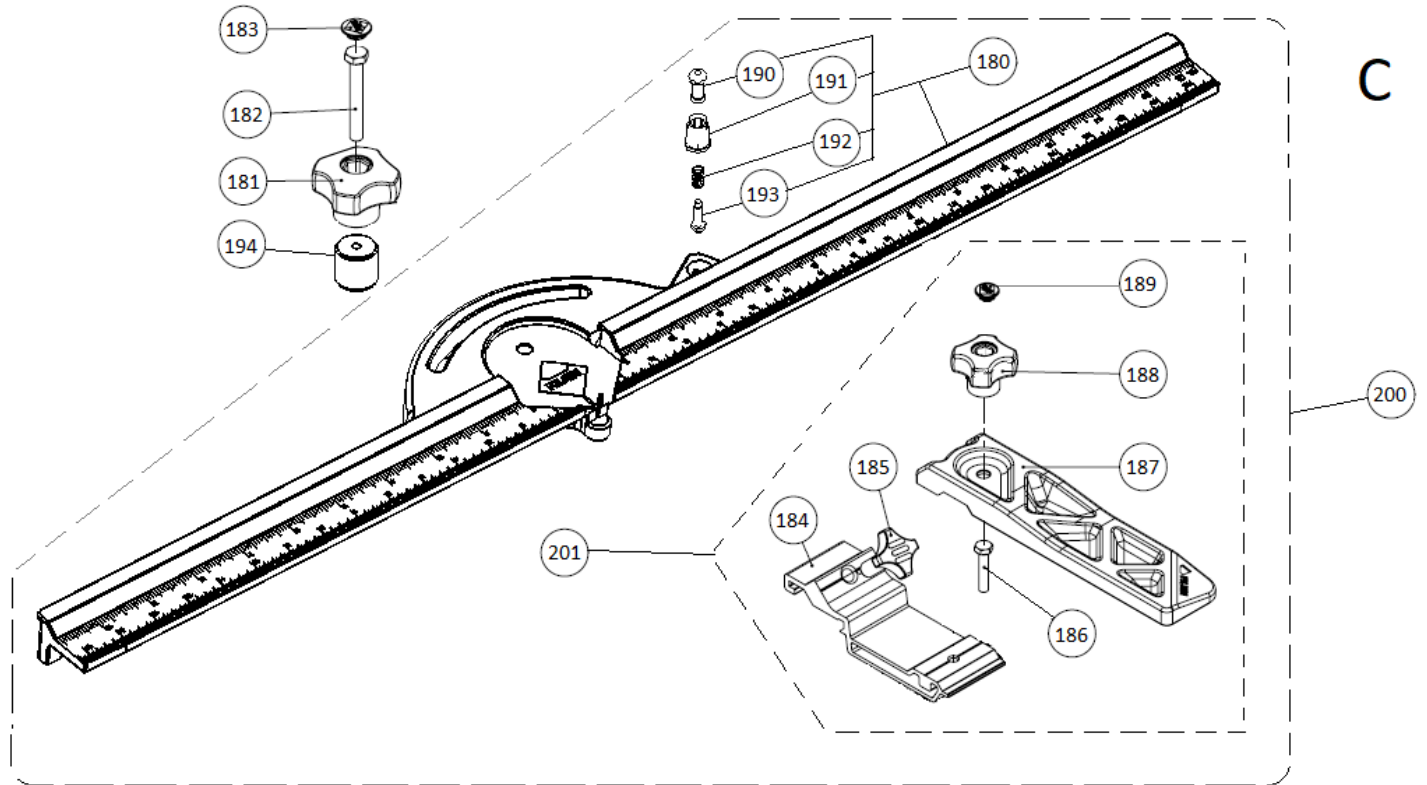
A3



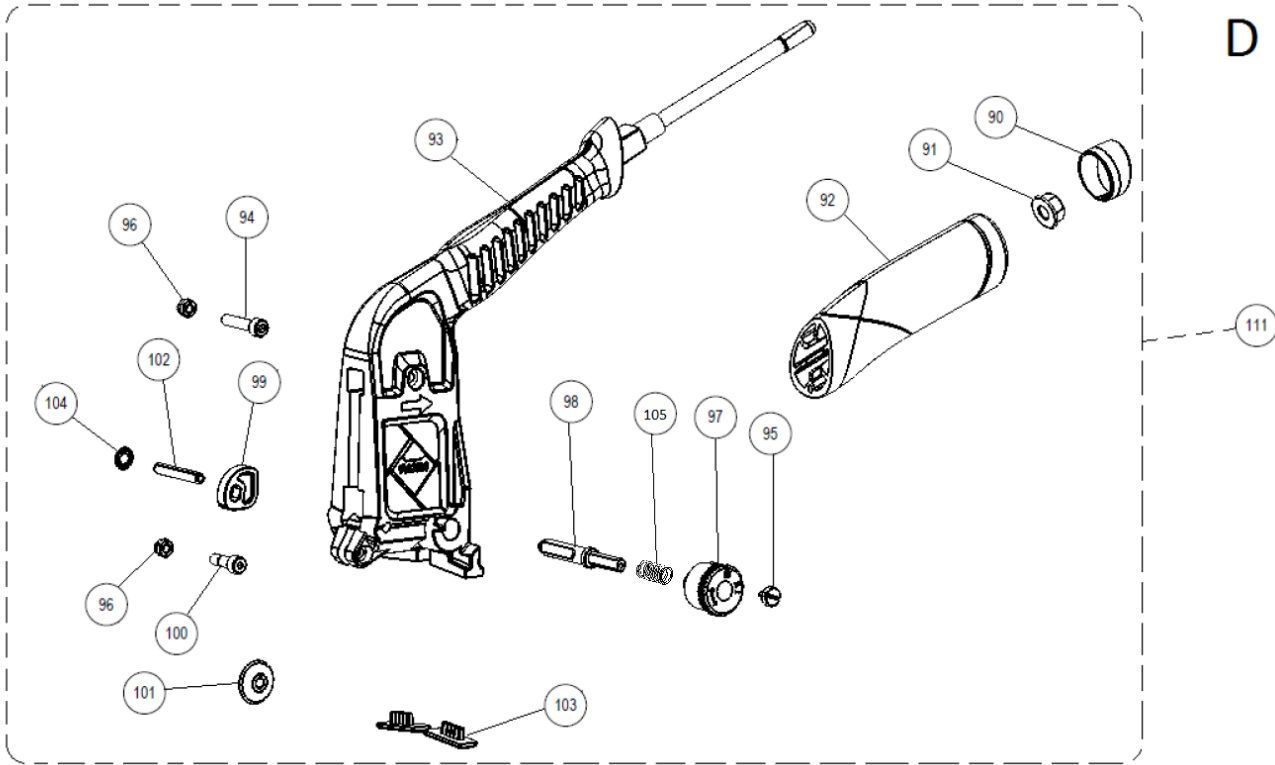
Part-list	ES	EN	Prod.	
140	17031 1	BASE FLOTANTE DER.TX-1200 V2	FLOATING BASE RIGHT TX-1200 V2	11973, 11975
141	12086 16	CLIP BASE FLOTANTE TI	CLIP FLOATING BASE TI	11973, 11975
142	17032 1	BASE FLOTANTE IZQ.TX-1200 V2	FLOATING BASE LEFT TX-1200 V2	11973, 11975
143	12097 8	MUELLE COMPRESION 35,2X13 Ø1,7	COMPRESSION SPRING 35,2X13 Ø1,7	11973, 11975
144	47059 16	TORN ISO 7380 M8X16 ULS 6.8 ZN	SCREW ISO 7380 M8X16 (ULS) 6.8 ZP	11973, 11975
145	16296 1	REFUERZO COSTILLA TX-1200 V2 ROJO	RIB REINFORCEMENT TX-1200 V2 RED	11973, 11975
146	57035 4	REMACHE DIN 7337-A Ø 5X12 AL/S	ALUMINIUM RIVET W/BORE 5X12	11973, 11975
147	55095 4	TORN DIN 7991 M8X16 8.8 ZN	SCREW DIN 7991 M8X16 8.8 ZP	11973, 11975
148	60432 2	TORN DIN 912 M8X20 6.8 ZN BLANCO	SCREW DIN 912 M8X20 6.8	11973, 11975
149	45342 1	ASA PLASTICO 116MM M8	PLASTIC HANDLE 116MM M8	11973, 11975
150	45056 2	ARAND DIN 125 A8,4 ZN	WASHER DIN 125 A8,4 ZP	11973, 11975
151	55048 2	TUERCA DIN 985 M8 CL8 ZN AUTOBL.	HEX LOCK NUT DIN 985 M8 CL8 ZP	11973, 11975
152	18687 1	BASE TX-1200 V5 S/MEC.INY.	BASE TX-1200 V5 S/MEC.	11973, 11975
153	55038 4	TORN DIN 912 M6X25 6.8 ZN	SCREW DIN 912 M6X25 6.8 ZP	11973, 11975
154	18695 4	BRAZO DE APOYO TX MAX	SUPPORT ARM TX MAX	11973, 11975
155	40020 4	TUERCA DIN 985 M6 CL8 ZN AUTOBLOC	HEX LOCK NUT DIN 985 M6 CL8 ZP	11973, 11975
156	17549 8	CONTERA GOMA ESF.Ø 21X25	RUBBER ROUND RIBBED INSERT Ø21X25	11973, 11975
157	18697 1	REFUERZO BASE TX-1200 V3	BASE REINFORCEMENT TX-1200 V3	11973, 11975
158	57335 4	TUERCA DIN 6923 M8 CL8 ZN	NUT DIN 6923 M8 CL8 ZP	11973, 11975
159	18685 1	BASE TX-1200 V5 INY.	BASE TX-1200 V5	11973, 11975
160	17373 2	HORQUILLA RUEDA TX-N V2	WHEEL FORK TX-N V2	11973, 11975
161	13111 2	EJE PISADOR RAPID	BREAKING FEET AXLE RAPID	11973, 11975
162	17367 2	RUEDA Ø 42 MM	WHEEL DIA.42 MM	11973, 11975
163	12418 2	ARAND DIA.6 RETEN. ZN BLANCO	WASHER DIA.6 ZP	11973, 11975
164	70104 4	TUERCA DIN 6923 M5 CL8 ZN	NUT DIN 6923 M5 CL8 ZP	11973, 11975
165	17011 1	BASE FLOTANTE DER.TX-700 V2	FLOATING BASE RIGHT TX-700 V2	11973, 11975
166	17012 1	BASE FLOTANTE IZQ.TX-700 V2	FLOATING BASE LEFT TX-700 V2	11973, 11975
167	18698 1	EMPALME BASE TX-1200 V4	JOINT BASE TX-1200 V4	11973, 11975



Part-list	ES	EN	Prod.	
75	12769 1	TOPE CORREDERAS TP 50X12X54	CARRIER TOP TP 50X12X54	
76	12106 6	TORN DIN 912 M8X30 6.8 ZN BLANCO	SCREW DIN 912 M8X30 6.8 ZP WHITE	
77	12764 2	SOPORTE GUIA 50X12 TP	GUIDE SUPPORT 50X12 TP	
78	12765 1	GUIA TP-66 50X12X861 V3	GUIDE TP-66 50X12X861 V3	12954, 12914
78	12766 1	GUIA TP-75 50X12X951 V3	GUIDE TP-75 50X12X951 V3	12956, 12928
78	12767 1	GUIA TP-102 50X12X1205,5	GUIDE TP-102 50X12X1205,5	11900, 11902
78	12768 1	GUIA TP-125 50X12X1424	GUIDE TP-125 50X12X1424	11973, 11975
82	57335 4	TUERCA DIN 6923 M8 CL8 ZN	NUT DIN 6923 M8 CL8 ZP	
83	45055 2	TUERCA DIN 934 M8 CL8 ZN	HEX NUT DIN 934 M8 CL8 ZP	



Part-list	ES	EN	Prod.
180 18742 1	RECAMBIO ESCUADRA TP-T MM	SQUARE SET TP-T MM	12954, 12956, 11900, 11973
180 18743 1	RECAMBIO ESCUADRA TP-T INCH	SQUARE SET TP-T INCH	12914, 12928, 11902, 11975
181 45427 1	POMO M8 ROJO V2	RED KNOB M8 V2 FOR LEG	
182 56013 1	TORN DIN 933 M8X90 6.8 ZN	SCREW DIN 933 M8X90 6.8 ZP	
183 17332 1	TAPON POMO M8 ROJO	RED KNOB CAP M8	
184 18828 1	GUIA TOPE LATERAL TX MAX V2	LATERAL TOP GUIDE TX MAX V2	
185 12513 1	POMO M10X25 ROSCA LATON	KNOB M10X25	
186 7357 1	TORN DIN 933 M6X30 6.8 ZN	SCREW DIN 933 M6X30 6.8 ZP	
187 18424 1	TOPE LATERAL GIRATORIO TR MAGNET	ROTATING LATERAL TOP TR MAGNET	
188 13255 1	POMO M6 ESTANDAR ROJO V2	RED STANDARD M6 KNOB V2	
189 57485 1	TAPON POMO M6 ROJO	RED COVER KNOB M6	
190 12190 1	BOTON ANCLAJE TI/R V2	LOCKING BUTTON TI/R V2	
191 12438 1	CUERPO TOPE TI/TX V3	BODY TOP TI/TX V3	
192 12403 1	MUELLE COMPRESION 15,2X7,8 Ø0,8	COMPRESSION SPRING 15,2X7,8 Ø0,8	
193 12416 1	EJE GRADUACION TI/TX V3 PRESELLADO	ADJUSTING SHAFT TI/TX V3	
194 12619 1	CASQ M8X31X30 POM	BUSHING M8X31X30 POM	
200 18750 1	RECAMBIO ESCUADRA TP-T MM C/TOPE	SQUARE SET TP-T MM W/STOP	12954, 12956, 11900, 11973
200 18751 1	RECAMBIO ESCUADRA TP-T INCH C/TOPE	SQUARE SET TP-T INCH W/STOP	12914, 12928, 11902, 11975
201 18831 1	CJ.TOPE LATERAL TX-N	LATERAL STOP SET TX-N	



D

Part-list	ES	EN	Prod.
90	72045 1	TAPON MNG.PLASTICO LLANA/PEINE	TROWEL PLASTIC HANDLE TAP
91	57335 4	TUERCA DIN 6923 M8 CL8 ZN	NUT DIN 6923 M8 CL8 ZP
92	72044 1	MANGO RFLX ABIERTO PEINE	OPEN HANDLE RFLX TROWEL
93	12777 1	MANGO TP-T GUIA 12	GUIDE 12 HANDLE TP-T
94	12309 1	TORN DIN 912 M5X25 6.8 ZN	SCREW DIN 912 M5X25 6.8 ZP
95	12412 1	TORN ESPECIAL TI-T PRESELLADO	SCREW SPECIAL TI-T
96	40045 2	TUERCA DIN 985 M5 CL8 ZN AUTOBLOC	HEX LOCK NUT DIN 985 M5 CL8 ZP
97	12402 1	BOTON MANDO TI-T	BUTTON TI-T
98	12470 1	EJE LEVA TI-T V3	CAM AXLE TI-T V3
99	12409 1	LEVA TI-T V2	CAM TI-T V2
100	55199 1	TORN DIN 912 M5X16 8.8 ZN	SCREW DIN 912 M5X16 8.8 ZP
101	1901 1	RULINA Ø 22 MM EXTREME PARA SLIM, TP/TQ	SCORING WHEEL Ø 22 MM EXTREME
102	12661 1	PASADOR DIN 1481 Ø 5X35	PIN DIN 1481 Ø 5X35
103	12588 2	PROTECCION PISADOR TI ROJO	BREAKING FEET PROTECTION TI RED
104	12418 1	ARAND DIA.6 RETEN. ZN BLANCO	WASHER DIA.6 ZP
105	12403 1	MUELLE COMPRESION 15,2X7,8 Ø0,8	COMPRESSION SPRING 15,2X7,8 Ø0,8
111	12842 1	CJ.MANGO TP-T GUIA 12 MONTADO	HANDLE SET TP-T GUIDE 12