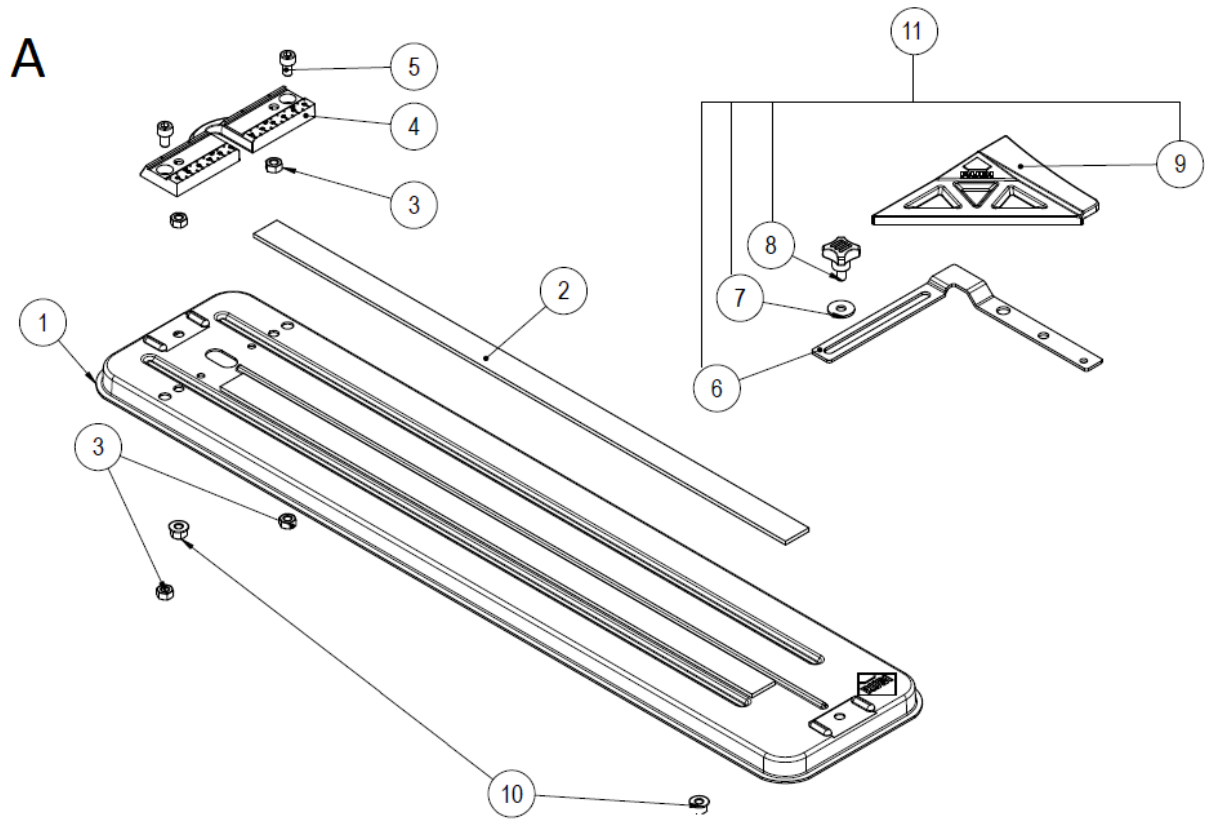


Part-list	ES	EN	Prod.
1	A	GRUPO BASE	BASE GROUP
2	B	GRUPO GUIAS	GUIDES GROUP
3	C	GRUPO PORTAHERRAMIENTAS	TOOLHOLDER GROUP

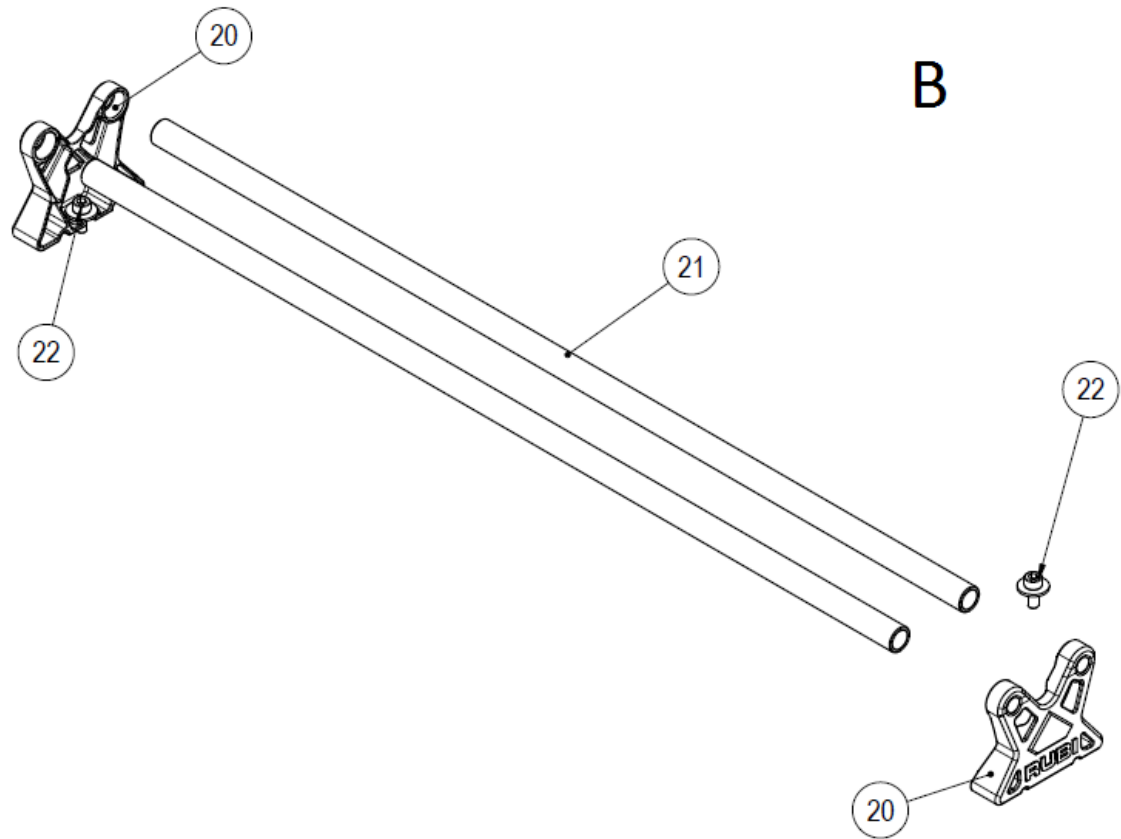
Prod.	ES	EN	From serial num.
24983	PRACTIC-42 CON TOPE LATERAL -CORT.MANUAL	PRACTIC-42 CON TOPE LATERAL -CORT.MANUAL	PR051130
24984	PRACTIC-51 CON TOPE LATERAL -CORT.MANUAL	PRACTIC-51 CON TOPE LATERAL -CORT.MANUAL	PR051130
24985	PRACTIC-61 CON TOPE LATERAL -CORT.MANUAL	PRACTIC-61 WITH LATERAL STOP	PR051130

Queda reservado el derecho de introducir cualquier modificación técnica sin previo aviso

We reserve the right to introduce any technical modification without previous notice

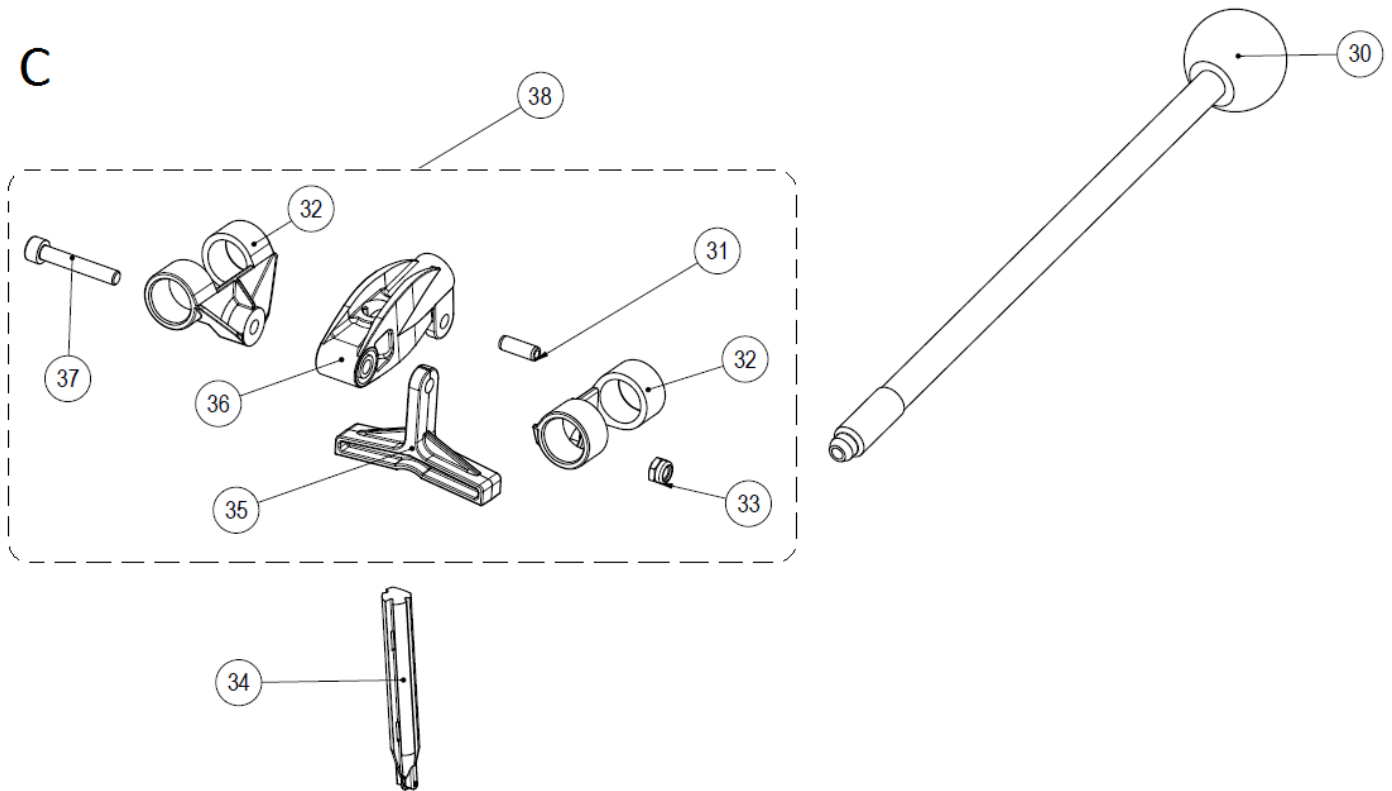


Part-list	ES	EN	Prod.
1	25236 1	BASE BASIC-50	24984
1	25237 1	BASE BASIC-60	24985
1	25235 1	BASE BASIC-40	24983
2	12315 2	TIRA GOMA STAR-60	24985
2	12261 2	TIRA GOMA STAR-40	24983
2	12262 2	TIRA GOMA STAR-50	24984
3	15132 4	TUERCA DIN 934 M6 CL8 ZN	HEX NUT DIN 934 M6 CL8 ZP
4	25254 1	ESCUADRA BASIC	SQUARE BASIC
5	45043 2	TORN DIN 912 M6X10 6.8 ZN	SCREW DIN 912 M6X10 6.8 ZP
6	25810 1	COM.TOPE LATERAL BASIC/PRACTIC	TOPE LATERAL BASIC/PRACTIC
7	45038 1	ARAND DIN 9021 A6,4 ZN	WASHER DIN 9021 A6,4 ZP
8	17021 1	COM.POMO M6X10 ROJO	RED KNOB SET M6X10
9	13436 1	SUPLEMENTO 45° V2	45° SUPPLEMENT V2
10	83035 2	TUERCA DIN 6923 M6 CL8 ZN	NUT DIN 6923 M6 CL8 ZP
11	25238 1	TOPE LATERAL BASIC/PRACTIC	BASIC/PRACTIC LATERAL STOP



Part-list	ES	EN	Prod.
20	25704 2	SOPORTE GUIAS PRACTIC V2	SUPPORT GUIDE PRACTIC V2
21	25266 2	GUIA Ø 16X2 L=640 CROMADA	CHROMING GUIDE Ø 16X2 L=640 24984
21	25265 2	GUIA Ø 16X2 L=550 CROMADA	CHROMING GUIDE Ø 16X2 L=550 24983
21	25267 2	GUIA Ø 16 L=740 CROMADA	CHROMING GUIDE Ø 16 L=740 24985
22	25312 2	TORN DIN 912 M6X14 6.8 ZN Y ARAND	SCREW DIN 912 M6X14 6.8 ZP & WASHER

C



Part-list	ES	EN	Prod.
30	25272 1	CJ.MANGO PRACTIC	HANDLE PRACTIC
31	12293 1	PASADOR DIN 1481 Ø 5X14	ELASTIC SPINDLE DIN 1481 5X14
32	25269 2	CORREDERA PRACTIC	SLIDER PRACTIC
33	40045 1	TUERCA DIN 985 M5 CL8 ZN AUTOBLOC	HEX LOCK NUT DIN 985 M5 CL8 ZP
34	1945 1	RODEL Ø 6 MM	CARBIDE SCORING WHEEL 1/4" (6 mm.)
35	25270 1	PISADOR PRACTIC	BREAKING FEET PRACTIC
36	25309 1	PORTAHERRAM.PRACTIC V2	TOOLHOLDER PRACTIC V2
37	13176 1	TORN DIN 912 M5X30 8.8 ZN	SCREW DIN 912 M5X30 8.8 ZP
38	25846 1	CJ.CORRED.PORTAHERRAM.PRACTIC	TOOLHOLDER AND SLIDE SET PRACTIC