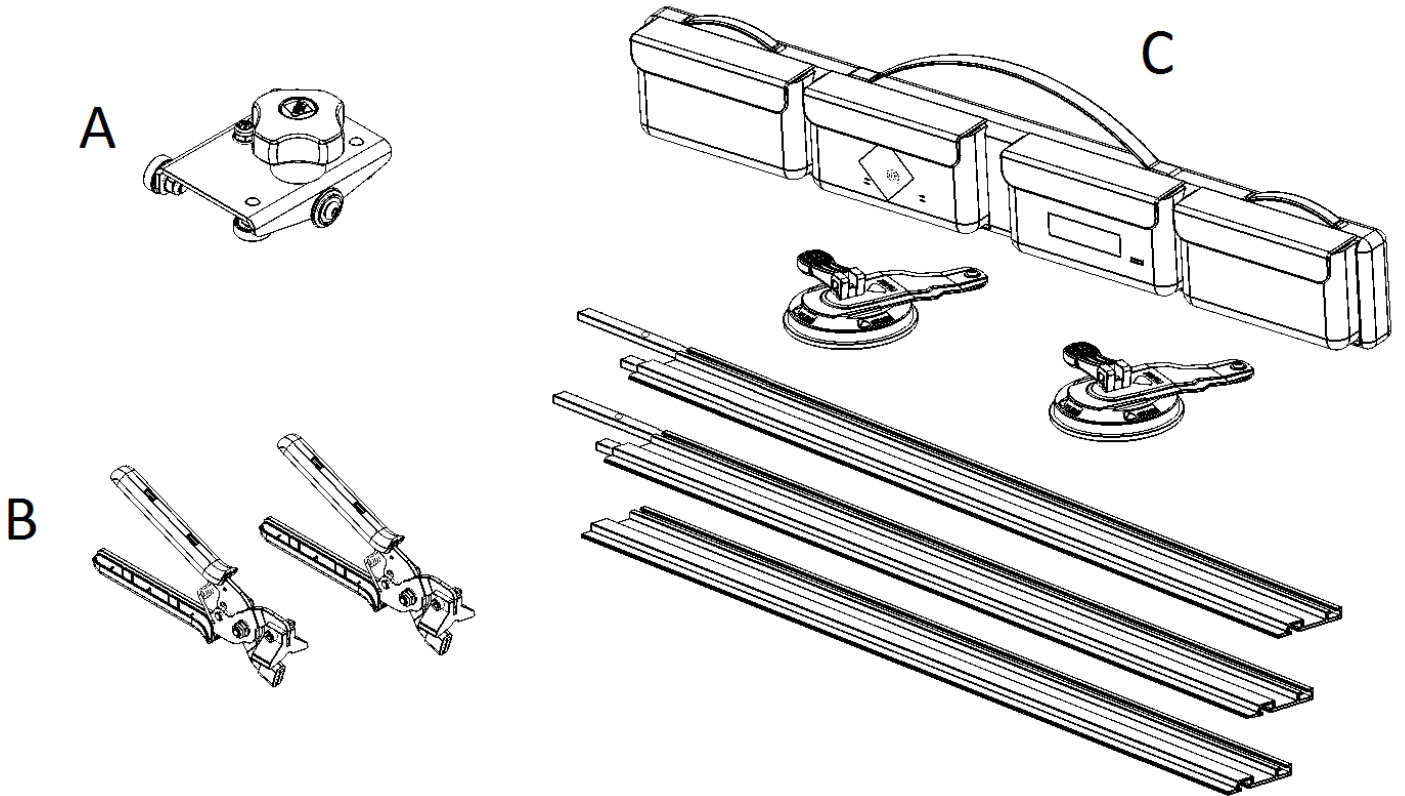


SLIM CUTTER

100000720 08 03/03/2020

Página 1 de 4

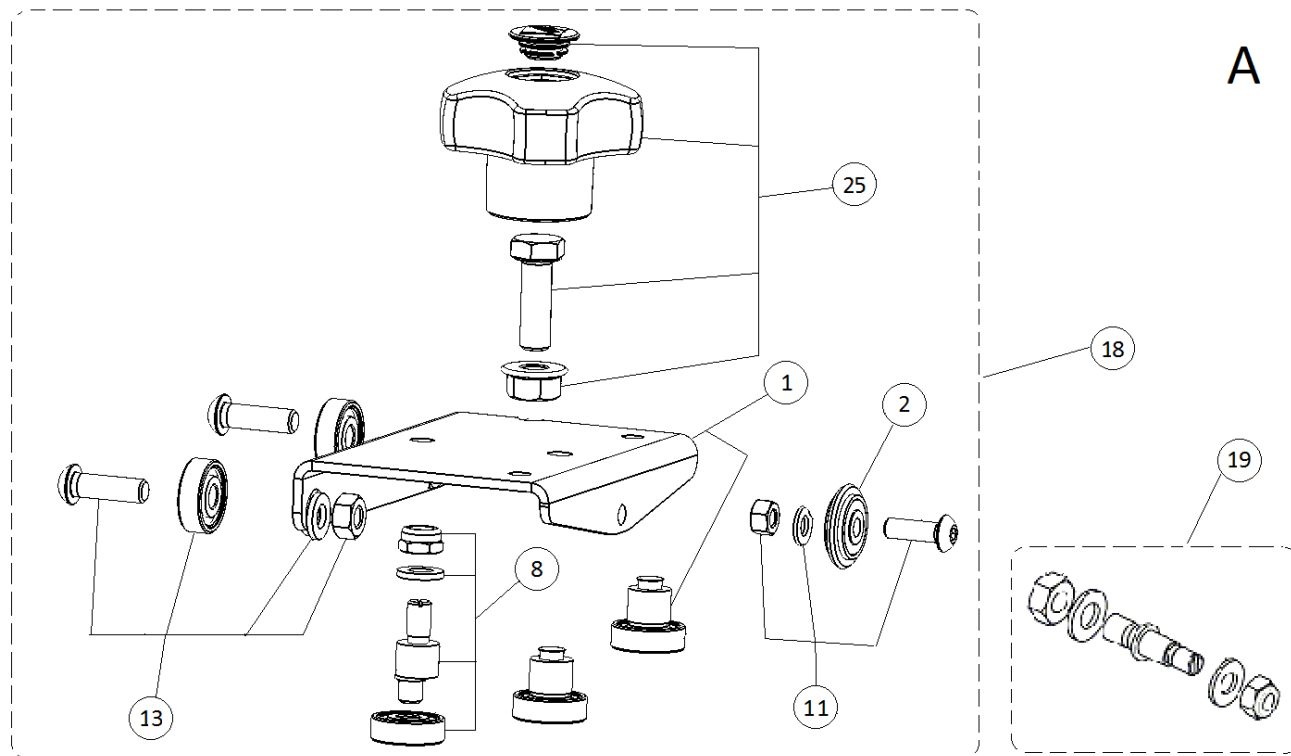


Part-list	ES	EN	Prod.
1	GRUPO A	GROUP A	
2	GRUPO B	GROUP B	
3	GRUPO C	GROUP C	

Prod.	ES	EN	From serial num.
18911	SLIM CUTTER	SLIM CUTTER	14862

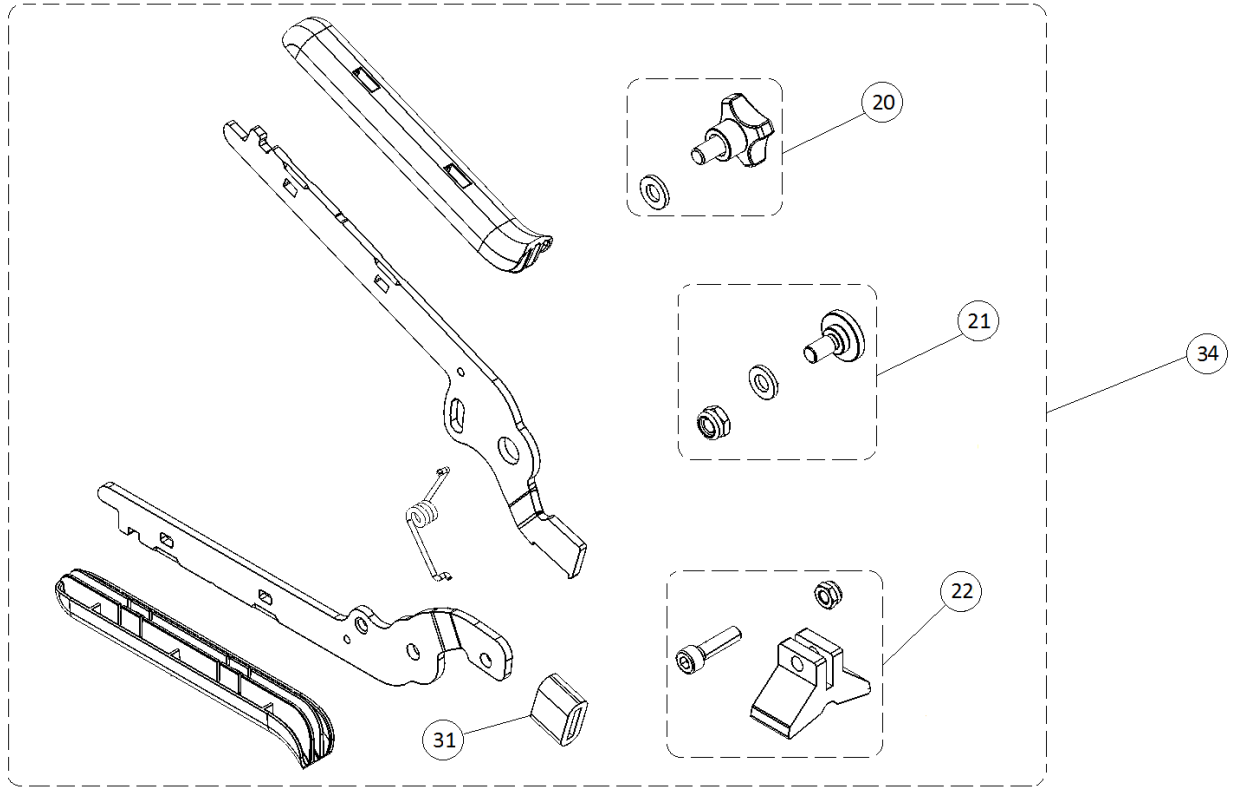
Queda reservado el derecho de introducir cualquier modificación técnica sin previo aviso

We reserve the right to introduce any technical modification without previous notice



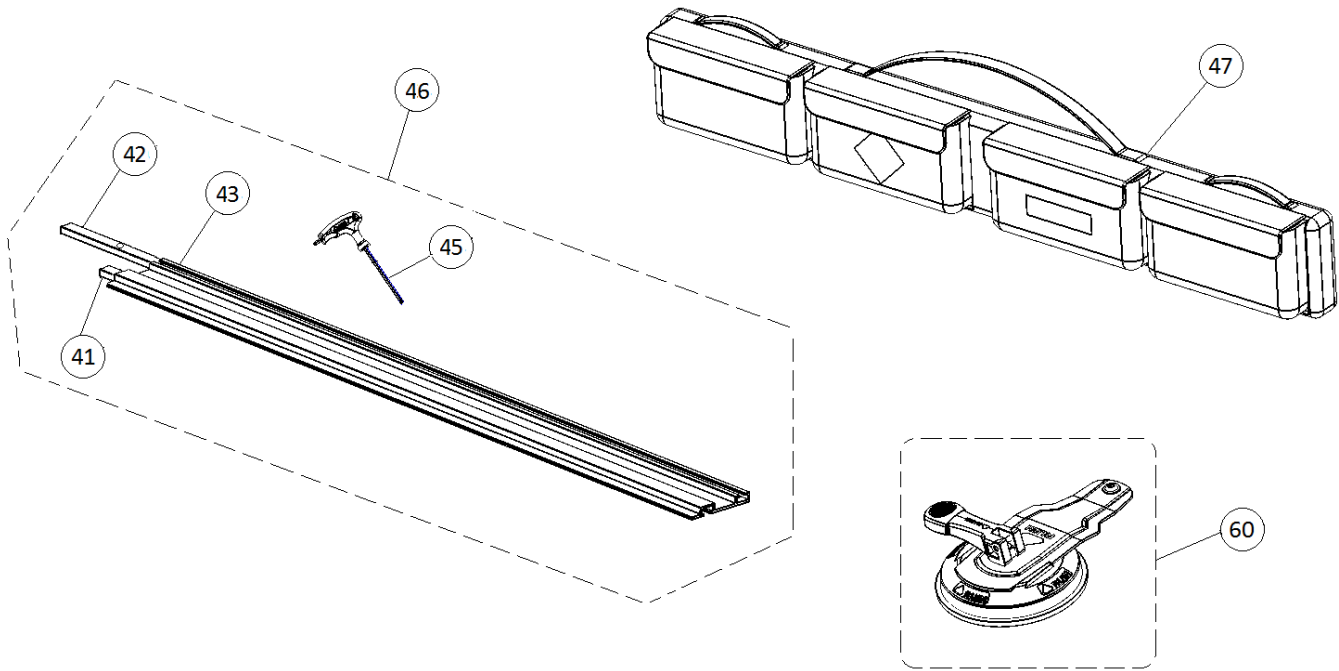
Part-list	ES	EN	Prod.
1	18706 1	CJ.CHASIS CARRO SLIM CUTTER	CHASSIS HOLDER SET SLIM CUTTER
2	1901 1	RULINA Ø 22 MM EXTREME PARA SLIM, TP/TQ	SCORING WHEEL Ø 22 MM EXTREME
8	18708 1	CJ.RODAMIENTO EXCENTRICO SLIM CUTTER	ECCENTRIC BEARING SLIM CUTTER
11	18714 1	CJ.TORNILLO RULINA SLIM CUTTER	SCORING WHEEL SCREW SET SLIM CUTTER
13	18709 2	CJ.RODAMIENTO LATERAL SLIM CUTTER	LATERAL BEARING SLIM CUTTER
18	18713 1	CJ.CABEZAL SLIM CUTTER	HEAD SET SLIM CUTTER
19	18717 1	RECAMBIO EJE RODEL Ø 22 MM SLIM CUTTER	SHAFT SET FOR SCORING WHEEL Ø 22 MM
25	18707 1	CJ.POMO SLIM CUTTER	KNOB SLIM CUTTER

B



Part-list	ES	EN	Prod.
20	18867 1	CJ.POMO M6X10 ROJO Y ARAND A6,4	RED KNOB SET M6X10 WITH WASHER A6,4
21	18868 1	CJ.EJE TENAZA TILE LEVEL	TILE LEVEL PLIERS AXLE SET
22	18869 1	CJ.MORDAZA TENAZAS SLIM SYSTEM	PLIER CLAMP SLIM SYSTEM SET
31	18232 2	GOMA AMORTIGUADORA SLIM SYSTEM	SHOCK ABSORVER RUBBER SLIM SYSTEM
34	18812 2	TENAZA SLIM SYSTEM	SLIM SYSTEM PLIERS (1 PC)

C



Part-list	ES	EN	Prod.
41	18729 2	GUIA DE UNION 20X5X75 V2	UNION GUIDE 20X5X75 V2
42	18728 2	GUIA DE UNION 20X5X450 V2	UNION GUIDE 20X5X450 V2
43	18732 1	PRISIONERO DIN 913 M8X8 8.8 ZN	PIN DIN 913 M8X8 8.8 ZP
45	18654 1	LLAVE ALLEN BOLA 4 MM MANGO T	T HANDLE END BALL HEX KEY 4 MM
46	18913 1	SUPLEMENTO GUIA SLIM CUTTER 1100MM	SUPLEMENTO GUIDE SLIM CUTTER 1100MM
47	18230 1	BOLSA DE TRANSPORTE SLIM CUTTER	CARRY BAG SLIM CUTTER
60	18834 2	ACCESORIO VENTOSA SLIM CUTTER	SUCTION PAD ACCESORY SLIM CUTTER