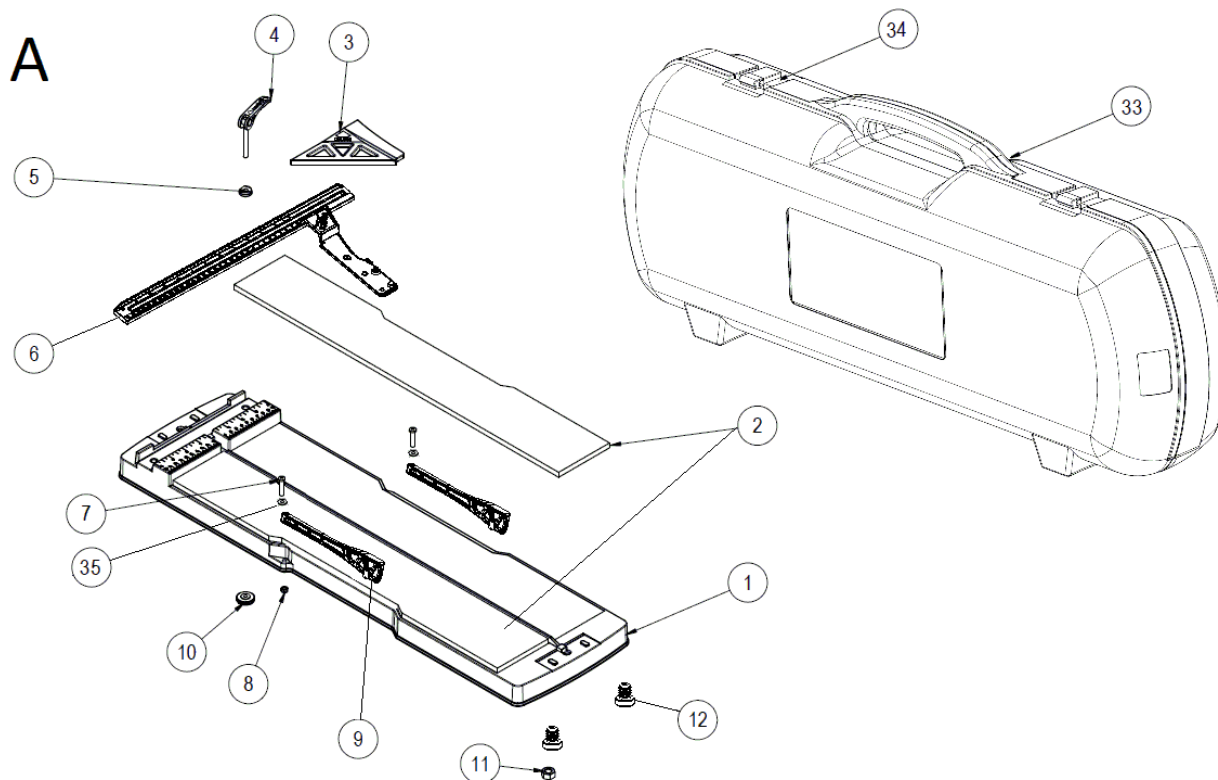


Part-list	ES	EN	Prod.
1	GRUPO BASE	BASE GROUP	
2	GRUPO GUIAS Y SOPORTES	GUIDE AND SUPPORT GROUP	
3	GRUPO PORTHERRAMIENTAS Y SEPARADOR	TOOLHOLDER AND BREAKER GROUP	

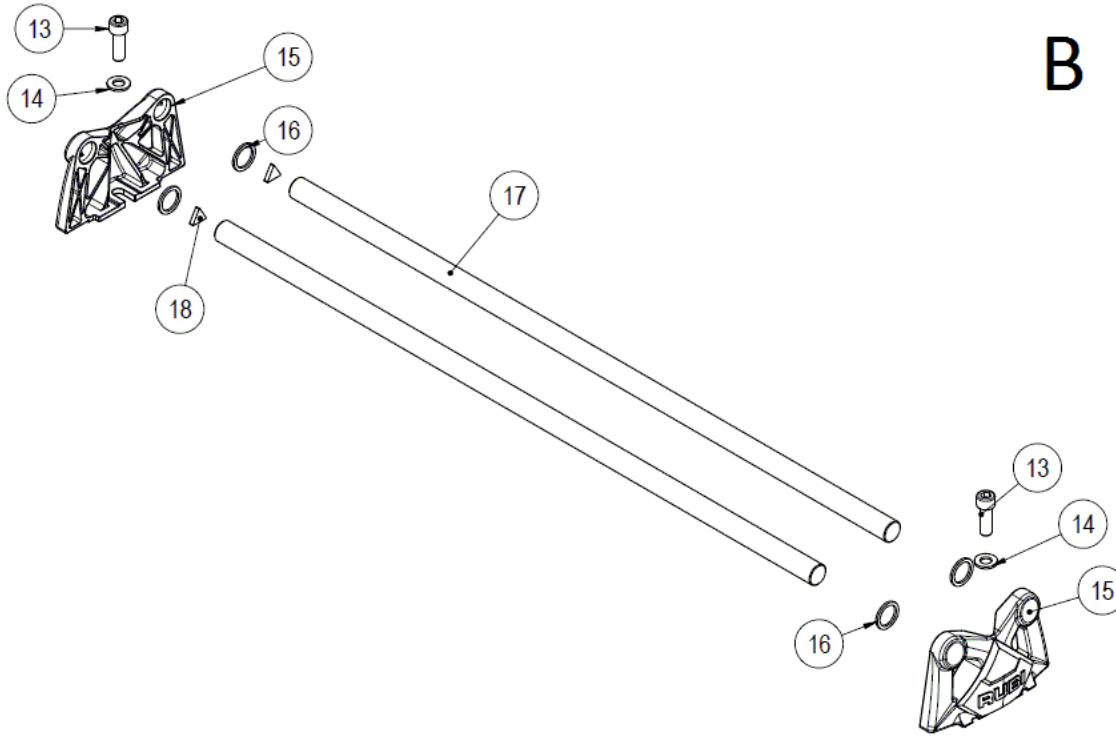
Prod.	ES	EN	From serial num.
14980	SPEED-62 MAGNET - CORT.MANUAL	SPEED-62 MAGNET - CORT.MANUAL	SM066459
14981	SPEED-72 MAGNET - CORT.MANUAL	SPEED-72 MAGNET - CORT.MANUAL	SM066459
14982	SPEED-92 MAGNET - CORT.MANUAL	SPEED-92 MAGNET - CORT.MANUAL	SM066459
14988	SPEED-62 MAGNET CON MALETA - CORT.MANUAL	SPEED-62 MAGNET W/CASE	SM066459
14989	SPEED-72 MAGNET CON MALETA - CORT.MANUAL	SPEED-72 MAGNET W/CASE	SM066459
14990	SPEED-92 MAGNET CON MALETA - CORT.MANUAL	SPEED-92 MAGNET W/CASE	SM066459

Queda reservado el derecho de introducir cualquier modificacion técnica sin previo aviso

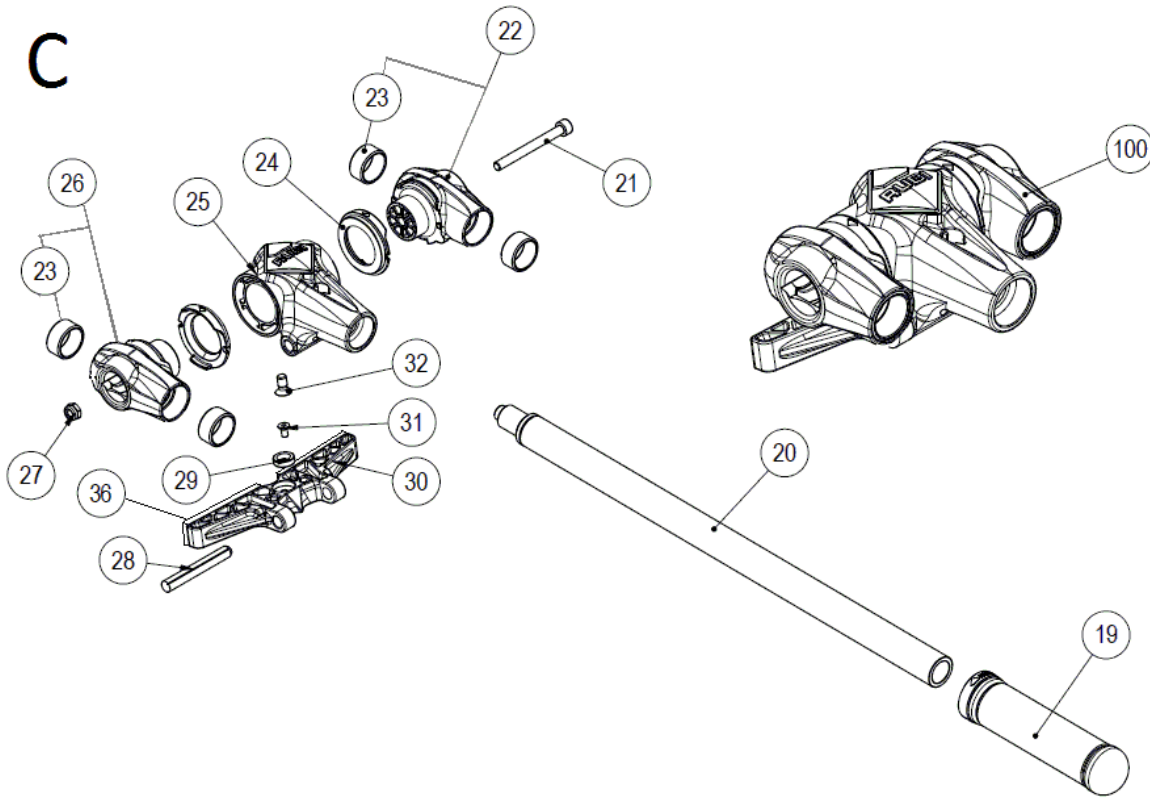
We reserve the right to introduce any technical modification without previous notice



Part-list	ES	EN	Prod.	
1	13446 1	BASE SPEED-92 ARENADA V4	SANDY BASE SPEED-92 V4	14982, 14990
1	13445 1	BASE SPEED-72 ARENADA V3	SANDY BASE SPEED-72 V3	14981, 14989
1	13438 1	BASE SPEED-62 ARENADA V3	SANDY BASE SPEED-62 V3	14980, 14988
2	13708 1	CJ.GOMAS BASE SPEED-92 V2	RUBBER SET SPEED-92 V2	14982, 14990
2	13713 1	CJ.GOMAS BASE SPEED-72 V2	RUBBER SET SPEED-72 V2	14981, 14989
2	13442 1	CJ.GOMAS MIXTAS SPEED-62 DER.Y IZQ.V2	MIXED RUBBER SPEED-62 V2 ASSEMBLY	14980, 14988
3	13436 1	SUPLEMENTO 45° V2	45° SUPPLEMENT V2	
4	14117 1	CIERRE RAPIDO M6X35 NEGRO	CAM LEVER M6X35 BLACK	
5	14089 1	ARAND CON INSERTO PARA REF:14117	WASHER AND INSERT FOR REF:14117	
6	13473 1	TOPE LATERAL SPEED V3	LATERAL STOP SPEED V3	
7	70311 2	TORN DIN 7985 M5X25 6.8 ZN	SCREW DIN 7985 M5X25 6.8 ZP	14981, 14989
7	14210 2	TORN ISO 7380 M5X25 6.8 ZN	SCREW ISO 7380 M5X25 6.8 ZP	14982, 14990
7	14342 2	TORN ISO 7380 M5X30 6.9 ZN	SCREW ISO 7380 M5X30 6.9 ZP	14980, 14988
8	40045 2	TUERCA DIN 985 M5 CL8 ZN AUTOBLOC	HEX LOCK NUT DIN 985 M5 CL8 ZP	
9	13443 2	PATA DE APOYO SPEED-72/92 V2 NEUTRO	LATERAL ARM SPEED-72/92 V2 WO/LOGO	14981, 14989
9	13439 2	PATA DE APOYO SPEED-62 V2	SUPPORT ARM SPEED-62 V2	14980, 14988
9	13443 2	PATA DE APOYO SPEED-72/92 V2 NEUTRO	LATERAL ARM SPEED-72/92 V2 WO/LOGO	14982, 14990
10	14098 1	POMO DIN 467 M6	FLAT KNURLED NUT DIN 467 M6 BLACK ZP	
11	50150 2	TUERCA DIN 934 M10 CL8 ZN	HEX NUT DIN 934 M10 CL8 ZP	
12	17718 4	CONTERA GOMA ESF.Ø 15X17	RUBBER BUMPER Ø15X17	14980, 14988
33	14761 1	CJ.MALETA SPEED-62 MAGNET	CASE SET SPEED-62 MAGNET	14988
33	14763 1	CJ.MALETA SPEED-92 MAGNET	CASE SET SPEED-92 MAGNET	14990
33	14762 1	CJ.MALETA SPEED-72 MAGNET	CASE SET SPEED-72 MAGNET	14989
34	15761 2	CIERRE MALETA 89X54 TS50/60,TR,TM,TX	PLASTIC LATCH 89X54 (TS50/60,TR,TM,TX)	14990
34	15760 2	CIERRE MALETA 54X54 TS30/40,TM,TX,SPD	PLASTIC LATCH - 54X54 TS30/40,TM,TX,	14988, 14989
35	56035 2	ARAND DIN 125 A5,3 ZN	WASHER DIN125 A5,3 ZP	14980, 14988



Part-list	ES	EN	Prod.	
13	13175 2	TORN DIN 912 M10X30 8.8 ZN	SCREW DIN 912 M10X30 8.8 ZP	
14	56017 2	ARAND DIN 125 A10,5 ZN	WASHER DIN 125 A10,5 ZP	
15	14001 2	SOPORTE GUIAS SPEED MAGNET	GUIDE SUPPORT SPEED MAGNET	
16	13336 4	TOPE CORREDERA Ø20X26X2	CARRIER TOP 20X26X2	
17	14067 2	GUIA Ø 20 L=1027	GUIDE DIA.20 L=1027	14982, 14990
17	14066 2	GUIA Ø 20 L=827	GUIDE DIA.20 L=827	14981, 14989
17	14002 2	GUIA Ø 20 L=727	GUIDE DIA.20 L=727	14980, 14988
18	12693 2	TACO GOMA FAST	RUBBER STOPPER FAST	



Part-list	ES	EN	Prod.
19	16414 1	MANGO RUBI ANTIGIRO	ANTI ROTATION HANDLE RUBI Ø22
20	17706 1	PALANCA M16X1,5 L=400 CARRITO TZ	LEVER M16X1,5 L=400 TOOLHOLDER TZ
21	5081 1	TORN DIN 912 M6X60 6.8 ZN	SCREW DIN 912 M6X60 6.8 ZP
22	14433 1	CJ.CORREDERA ENCASQ.SPEED MAGNET DER.	RIGHT SLIDER W/BUSHING SPEED MAGNET
23	13367 4	COJINETE 20X24X12	BEARING 20X24X12
24	14190 2	DISTANCIADOR SPEED N PA	SPEED N SPACER PA
25	14747 1	PORTAHERRAM.SPEED MAGNET V2	TOOLHOLDER SPEED MAGNET V2
26	14432 1	CJ.CORREDERA ENCASQ.SPEED MAGNET IZQ.	LEFT SLIDER W/BUSHING SPEED MAGNET
27	40020 1	TUERCA DIN 985 M6 CL8 ZN AUTOBLOC	HEX LOCK NUT DIN 985 M6 CL8 ZP
28	14330 1	PASADOR DIN 1475 D8X60 PVN	PIN DIN 1475 D8X60 BLACKENING TREATMENT
29	14118 1	IMAN Ø 4,5X14X4 F=32N	MAGNET Ø 4,5X14X4 F=32N
30	14628 1	PISADOR SPEED MAGNET V2	SPEED MAGNET BREAKING FEET V2
31	14278 1	TORN GB 6561-86 M4X10 8.8 ZN	SCREW GB 6561-86 M4X10 8.8 ZP
32	14119 1	TORN GB 6561 M6X12 8.8 ZN	SCREW GB 6561 M6X12 8.8 ZP
36	14683 2	PROTECTOR CERAMICA REF:14629-14628 V2	TILE PROTECTOR SPEED-N/MAGNET V2
100	18802 1	CJ.SEPARADOR TR/SPEED MAGNET	SEPARATOR SET TR/SPEED MAGNET